

Rack-mounted Power Transducers 17-RACK

Span adjustment: 50 - 100 % of total resistance (front)

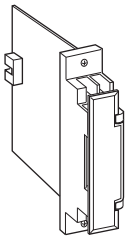
POTENTIOMETER CONVERTER

Functions & Features

- Providing a DC output proportional to a potentiometer or slidewire position input
- 50 % zero/span adjustments with minimal interaction

Typical Applications

- Tank levels
- Positions



MODEL: 17MS-6-R

ORDERING INFORMATION

- Code number: 17MS-6-R

INPUT POTENTIOMETER

Total resistance 100 Ω - 10 k Ω

OUTPUT

Voltage

6: 1 - 5 V DC (Load resistance 2000 Ω min.)

POWER INPUT

DC Power

R: 24 V DC

(Operational voltage range 24 V \pm 10 %, ripple 10 %p-p max.)

GENERAL SPECIFICATIONS

Construction: Rack-mounted; terminal access via screw terminals on the front and connector on the rear; terminal cover provided

Connection:

Input: M3.5 screw terminals (torque 0.8 N·m)

Output: Connector

Power input: Supplied from connector

Screw terminal: Nickel-plated steel

Isolation: Input to output to power

Zero adjustment: 0 - 50 % of total resistance (front)

INPUT SPECIFICATIONS

Minimum span: 50 % of total resistance

Excitation: Approx. 0.2 V DC

INSTALLATION

Current consumption: Approx. 35 mA

Operating temperature: -5 to +55°C (23 to 131°F)

Operating humidity: 40 to 85 % RH (non-condensing)

Mounting: Standard Rack 17BXE

Weight: 150 g (0.33 lb)

PERFORMANCE in percentage of span

Accuracy: \pm 0.3 %

Temp. coefficient: \pm 0.015 %/°C (\pm 0.008 %/°F)

Response time: \leq 0.5 sec. (0 - 90 %)

Line voltage effect: \pm 0.1 % over voltage range

Insulation resistance: \geq 100 M Ω with 500 V DC

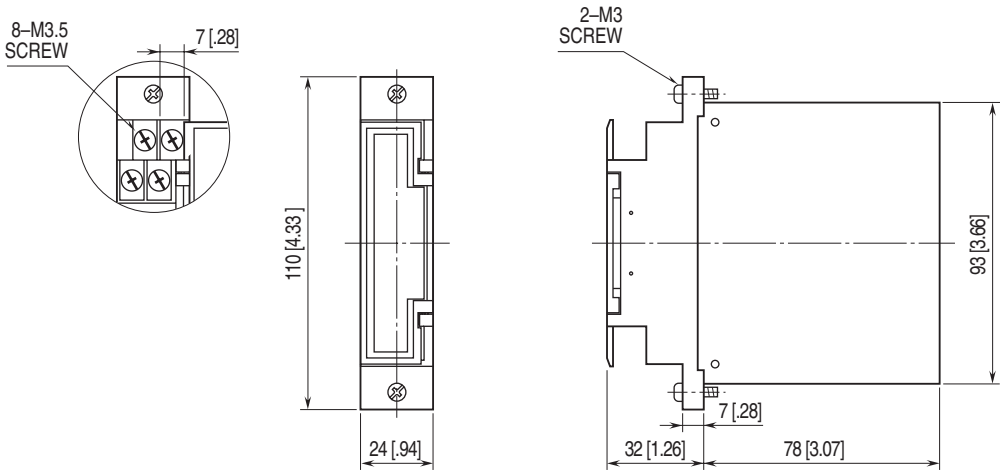
Dielectric strength: 1500 V AC @ 1 minute

(input to output or power)

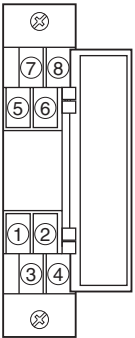
500 V AC @ 1 minute (output to power)

1500 V AC @ 1 minute (input or output or power to ground)

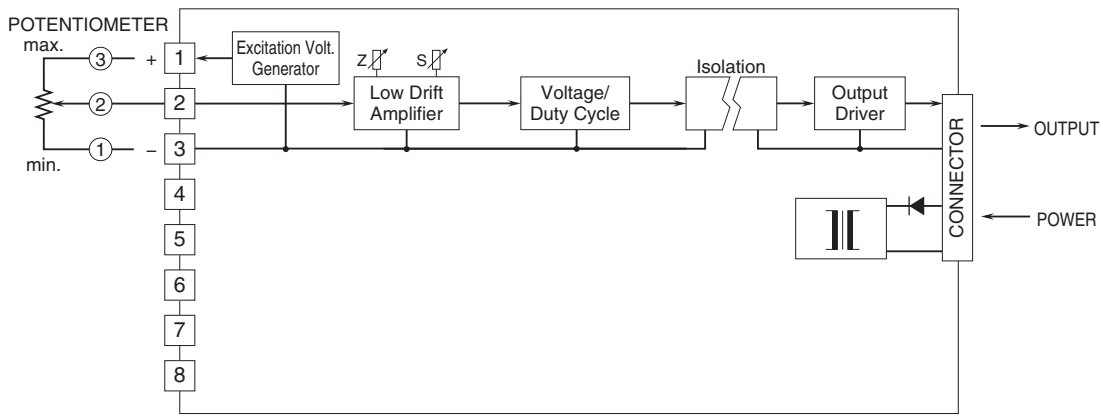
DIMENSIONS unit: mm (inch)




TERMINAL ASSIGNMENTS



SCHEMATIC CIRCUITRY & CONNECTION DIAGRAM



 Specifications are subject to change without notice.