

## Rack-mounted Power Transducers 17-RACK

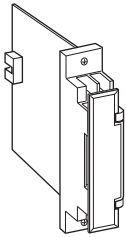
### TACHOGENERATOR CONVERTER

#### Functions & Features

- Converting an AC voltage from a tachogenerator (tachometer) into a standard process signal
- Wide input range

#### Typical Applications

- Measuring rotating or moving speed of multispeed motors, belt conveyers, metering pumps



### MODEL: 17TG-[1]6-R

#### ORDERING INFORMATION

- Code number: 17TG-[1]6-R
- Specify a code from below for [1].  
(e.g. 17TG-16-R)
- Special input range (For code U)

#### [1] INPUT

Voltage

- 1: 0 - 35 V AC (Input resistance 200 kΩ min.)
- 2: 0 - 50 mV AC (Input resistance 200 kΩ min.)
- 3: 0 - 60 mV AC (Input resistance 200 kΩ min.)
- 4: 0 - 100 mV AC (Input resistance 200 kΩ min.)
- 5: 0 - 1 V AC (Input resistance 200 kΩ min.)
- 6: 0 - 10 V AC (Input resistance 200 kΩ min.)
- 7: 0 - 100 V AC (Input resistance 200 kΩ min.)
- 8: 0 - 110 V AC (Input resistance 200 kΩ min.)
- 9: 0 - 150 V AC (Input resistance 200 kΩ min.)
- A: 0 - 200 V AC (Input resistance 200 kΩ min.)
- B: 0 - 250 V AC (Input resistance 200 kΩ min.)
- U: Specify voltage (See INPUT SPECIFICATIONS)  
(0 % input must be 0 V.)

#### OUTPUT

Voltage

- 6: 1 - 5 V DC (Load resistance 2000 Ω min.)

#### POWER INPUT

DC Power

R: 24 V DC

(Operational voltage range 24 V ±10 %, ripple 10 %p-p max.)

#### GENERAL SPECIFICATIONS

**Construction:** Rack-mounted; terminal access via screw terminals on the front and connector on the rear; terminal cover provided

**Connection:**

**Input:** M3.5 screw terminals (torque 0.8 N·m)

**Output:** Connector

**Power input:** Supplied from connector

**Screw terminal:** Nickel-plated steel

**Isolation:** Input to output to power

**Zero adjustment:** -5 to +5 % (front)

**Span adjustment:** 95 to 105 % (front)

#### INPUT SPECIFICATIONS

**Input:** 0 - 250 V AC

**Minimum span:** 50 mV

**Input resistance:** ≥ 200 kΩ

**Frequency:** 15 Hz min., 1 kHz max. with 100 % input

#### INSTALLATION

**Current consumption:** Approx. 35 mA

**Operating temperature:** -5 to +55°C (23 to 131°F)

**Operating humidity:** 40 to 85 % RH (non-condensing)

**Mounting:** Standard Rack 17BXE

**Weight:** 150 g (0.33 lb)

#### PERFORMANCE in percentage of span

**Accuracy:** ±0.3 %

**Temp. coefficient:** ±0.02 %/°C (±0.01 %/°F)

**Response time:** ≤ 0.5 sec. (0 - 90 %)

**Ripple:** 0.5 %p-p max.

**Line voltage effect:** ±0.1 % over voltage range

**Insulation resistance:** ≥ 100 MΩ with 500 V DC

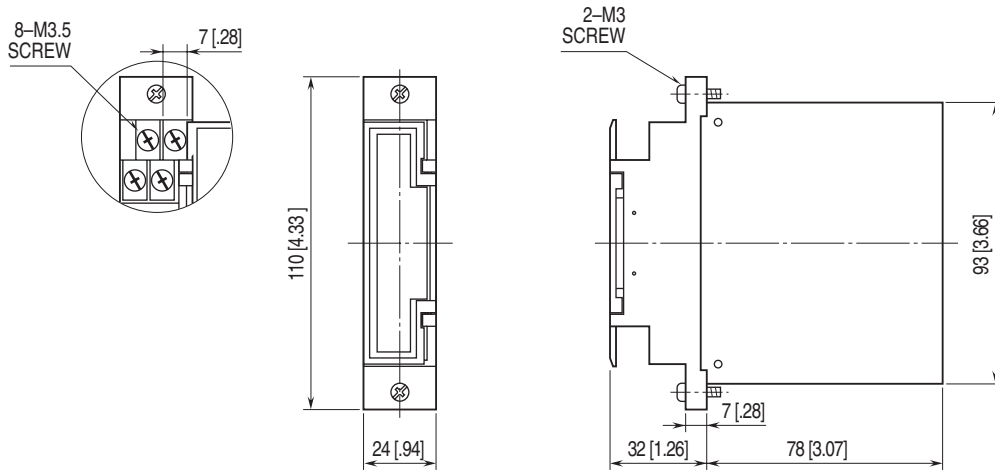
**Dielectric strength:** 1500 V AC @ 1 minute

(input to output or power)

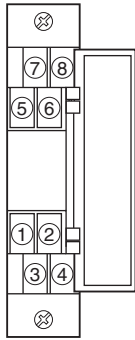
500 V AC @ 1 minute (output to power)

1500 V AC @ 1 minute (input or output or power to ground)

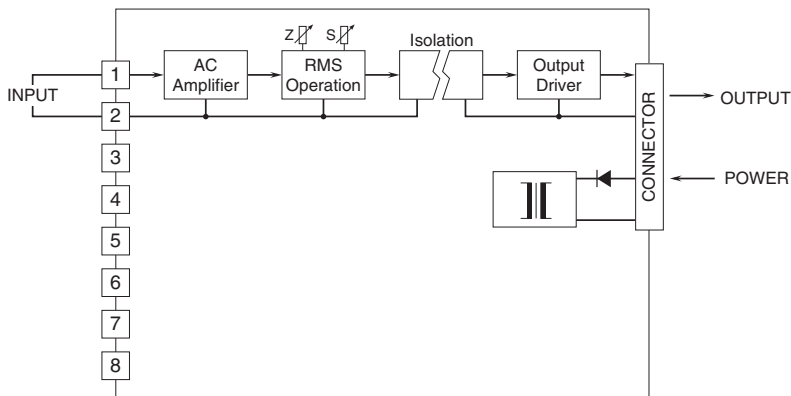
## DIMENSIONS unit: mm (inch)



## TERMINAL ASSIGNMENTS



## SCHEMATIC CIRCUITRY & CONNECTION DIAGRAM





Specifications are subject to change without notice.