

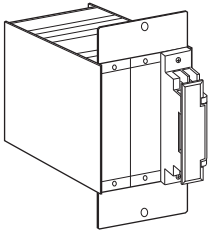
## Rack-mounted DCS Signal Conditioners 18-RACK

### STANDARD RACK

(2 positions)

#### Functions & Features

- Standard rack for 18-RACK signal conditioners
- Line power supplied via the rear rack bus



0 to 55°C (32 to 131°F) for AC power

**Operating humidity:** 30 to 90 %RH (non-condensing)

**Mounting:** Angle bracket

**Weight:** Approx. 1 kg (2.21 lb)

### PERFORMANCE

**Insulation resistance:**  $\geq 100 \text{ M}\Omega$  with 500 V DC

(I/O to power to FG)

**Dielectric strength:** 500 V AC @ 1 minute

(I/O to power to FG)

## MODEL: 18BXU-[1]

### ORDERING INFORMATION

- Code number: 18BXU-[1]

Specify a code from below for [1].

(e.g. 18BXU-K)

### [1] POWER SUPPLY UNIT

AC Power

**K:** 85 - 132 V AC

(Operational voltage range 85 - 132 V, 47 - 63 Hz)

DC Power

**R:** 24 V DC

(Operational voltage range 24 V  $\pm 10 \%$ , ripple 10 %p-p max.)

### RELATED PRODUCTS

- Blank filler plate (model: P-181)

### GENERAL SPECIFICATIONS

**Construction:** Metal plates assembly

**Coating:** Black Zn-Cr

**Capacity:** 2 positions

**Connection**

**I/O:** M3.5 screw terminals (torque 0.8 N·m)

**Power input:** M3.5 screw terminals (torque 0.8 N·m)

**Screw terminal:** Nickel-plated steel

### INSTALLATION

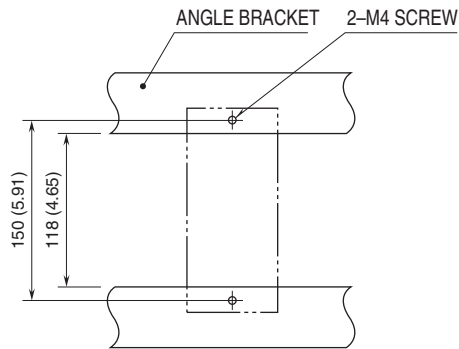
**Power input**

• **AC:** 85 - 132 V, 47 - 63 Hz, 15 VA maximum

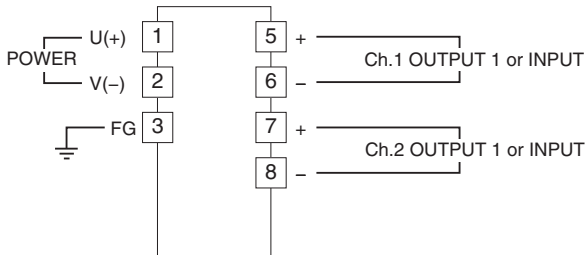
• **DC:** 24 V DC  $\pm 10 \%$ , (ripple 10 % p-p max.)

**Operating temperature:** -5 to 55°C (23 to 131°F)

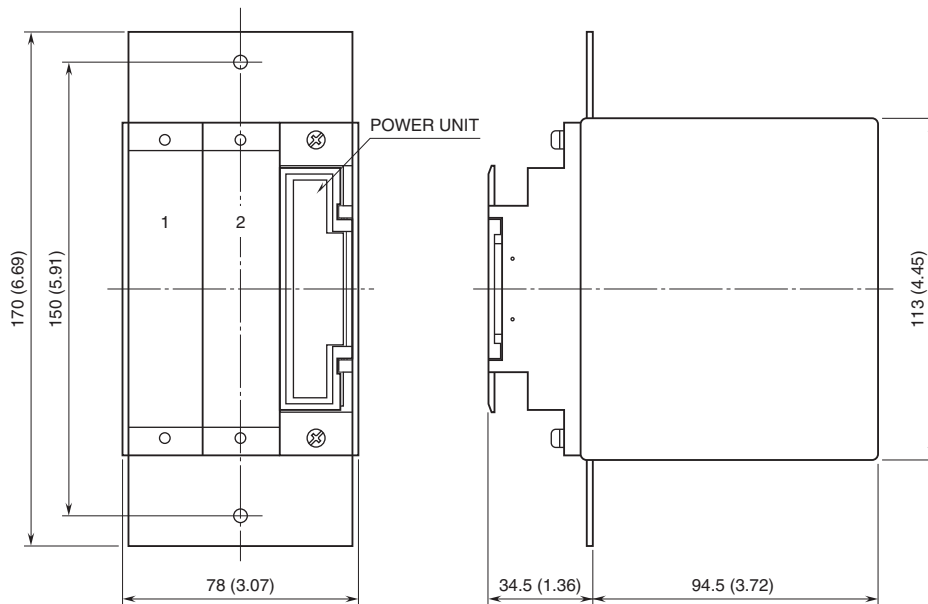
## MOUNTING REQUIREMENTS unit: mm (inch)



## CONNECTION DIAGRAM



## DIMENSIONS unit: mm (inch)



Specifications are subject to change without notice.