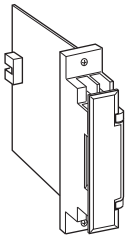


Rack-mounted DCS Signal Conditioners 18K-RACK

POTENTIOMETER CONVERTER

Functions & Features

- Constant voltage method has no effect on the total resistance value
- Minimal interaction between zero and span adjustments
- Module can be retracted without removing wiring for an insulation test
- Optional power switch



MODEL: 18KMS-66-R[1]

ORDERING INFORMATION

- Code number: 18KMS-66-R[1]
- Specify a code from below for [1].
(e.g. 18KMS-66-R/S)

INPUT POTENTIOMETER

Total resistance 100 Ω - 10 kΩ

OUTPUT 1

Voltage

6: 1 - 5 V DC (Load resistance 2000 Ω min.)

OUTPUT 2

Voltage

6: 1 - 5 V DC (Load resistance 2000 Ω min.)

POWER INPUT

DC Power

R: 24 V DC

(Operational voltage range 24 V ±10 %, ripple 10 %p-p max.)

[1] OPTIONS

Power Switch

blank: None

/S: With power switch

GENERAL SPECIFICATIONS

Construction: Rack-mounted; terminal access via screw terminals on the front and connector on the rear; terminal cover provided

Connection

Input: M3.5 screw terminals (torque 0.8 N·m) and connector

Output 1: Connector

Output 2: M3.5 screw terminals (torque 0.8 N·m) and connector

Power input: Supplied from connector

Screw terminal: Nickel-plated steel

Isolation: Input to output 1 to output 2 to power

Overrange output: Approx. -10 to +120 % at 1 - 5 V

Zero adjustment: 0 - 50 % of total resistance (front)

Span adjustment: 50 - 100 % of total resistance (front)

INPUT SPECIFICATIONS

Minimum span: 50 % of total resistance

Excitation: Approx. 0.2 V DC

INSTALLATION

Current consumption: Approx. 35 mA

Operating temperature: -5 to +55°C (23 to 131°F)

Operating humidity: 30 to 90 %RH (non-condensing)

Mounting: Standard Rack 18KBXx

Weight: 150 g (0.33 lb)

PERFORMANCE in percentage of span

Accuracy: ±0.1 %

Temp. coefficient: ±0.015 %/°C (±0.008 %/°F)

Response time: ≤ 0.5 sec. (0 - 90 %)

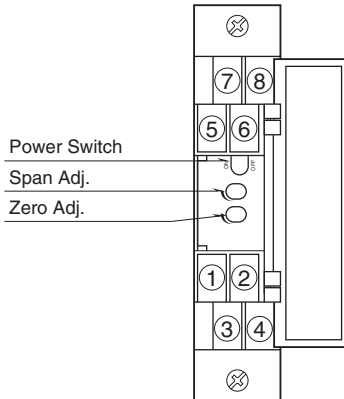
Line voltage effect: ±0.1 % over voltage range

Insulation resistance: ≥ 100 MΩ with 500 V DC

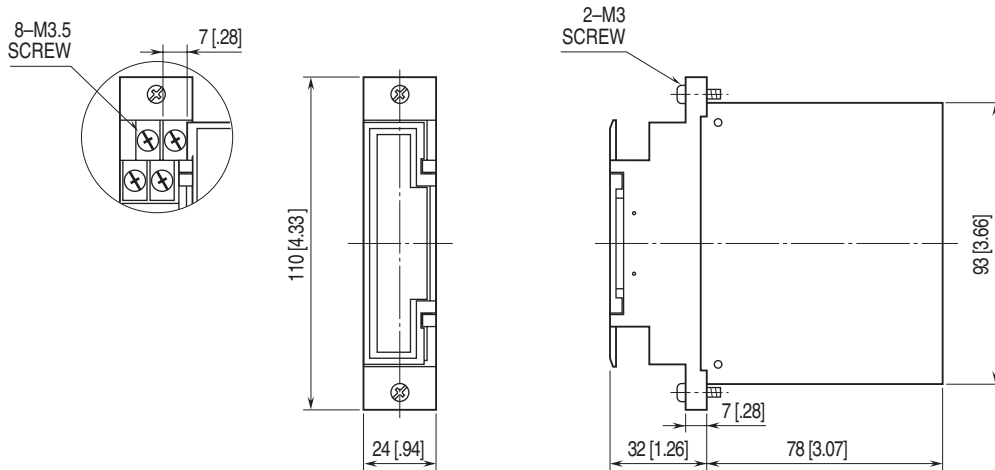
Dielectric strength: 500 V AC @ 1 minute (input to output 1 to output 2 to power to ground)

EXTERNAL VIEW

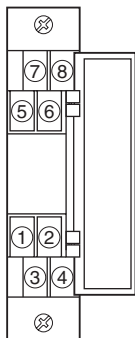
■ WITH POWER SWITCH



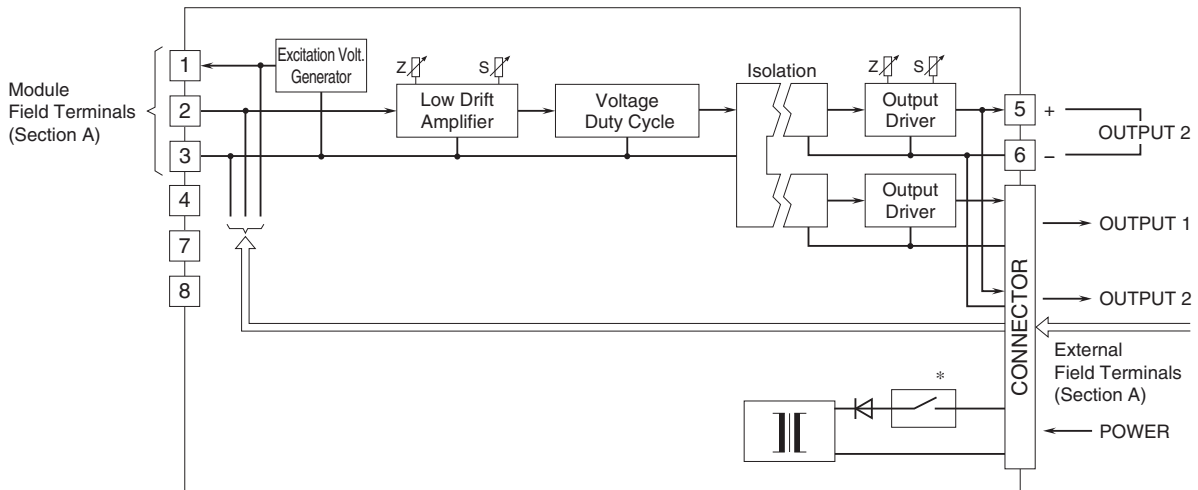
EXTERNAL DIMENSIONS unit: mm [inch]



TERMINAL ASSIGNMENTS

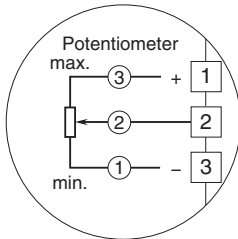


SCHEMATIC CIRCUITRY & CONNECTION DIAGRAM



* With power switch only
Use either of module or external field terminals.

Section A. Field Terminals



Specifications are subject to change without notice.