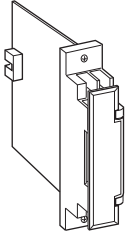


Rack-mounted DCS Signal Conditioners 18K-RACK

CONTROL OUTPUT ISOLATOR

Functions & Features

- Takes 4 - 20 mA DC as input
- Opencircuit detection
- Module can be retracted without removing wiring for an insulation test
- Capable of monitoring input signals at front terminals
- Optional power switch



MODEL: 18KYC-AA-R[1]

ORDERING INFORMATION

- Code number: 18KYC-AA-R[1]
- Specify a code from below for [1].
(e.g. 18KYC-AA-R/S)

INPUT

Current

A: 4 - 20 mA DC (Input resistance 250 Ω)

OUTPUT

Current

A: 4 - 20 mA DC (Load resistance 600 Ω max.)

POWER INPUT

DC Power

R: 24 V DC

(Operational voltage range 24 V ±10 %, ripple 10 %p-p max.)

[1] OPTIONS

Power Switch

blank: None

/S: With power switch

GENERAL SPECIFICATIONS

Construction: Rack-mounted; terminal access via screw terminals on the front and connector on the rear; terminal cover provided

Connection

Input: Connector

Input monitor: M3.5 screw terminals (torque: 0.8 N·m)

Output: M3.5 screw terminals (torque: 0.8 N·m) and connector

Power: Supplied from connector

Screw terminal: Nickel-plated steel

Isolation: Input to output to power

Zero adjustment: -5 to +5 % (front)

Span adjustment: 95 to 105 % (front)

Opencircuit detection: input current 0 mA when the output loop is open.

OUTPUT SPECIFICATIONS

The output goes below 0 % when the input is open.

INSTALLATION

Current consumption: Approx. 50 mA

Operating temperature: -5 to +55°C (23 to 131°F)

Operating humidity: 30 to 90 %RH (non-condensing)

Mounting: Standard Rack 18KBxx

Weight: 150 g (0.33 lb)

PERFORMANCE in percentage of span

Accuracy: ±0.1 %

Temp. coefficient: ±0.015 %/°C (±0.008 %/°F)

Response time: ≤ 0.5 sec. (0 - 90 %)

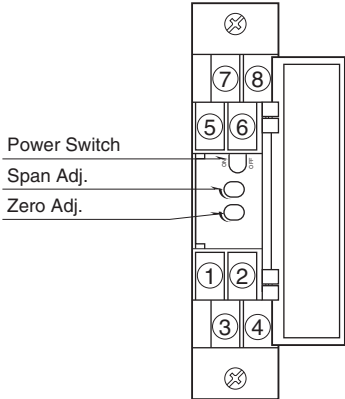
Line voltage effect: ±0.1 % over voltage range

Insulation resistance: ≥ 100 MΩ with 500 V DC

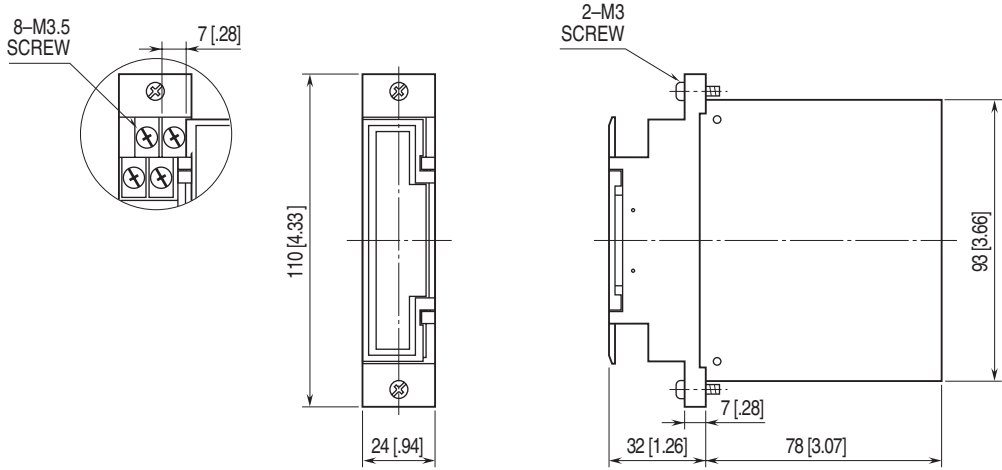
Dielectric strength: 500 V AC @ 1 minute (input to output to power to ground)

EXTERNAL VIEW

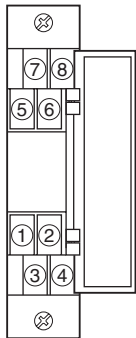
■ WITH POWER SWITCH



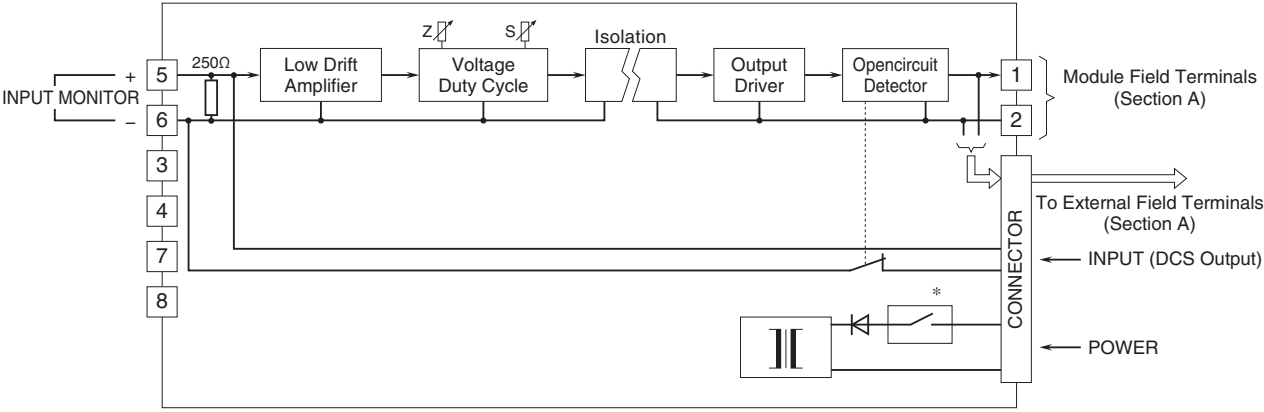
EXTERNAL DIMENSIONS unit: mm [inch]



TERMINAL ASSIGNMENTS

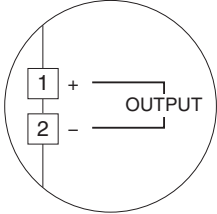



SCHEMATIC CIRCUITRY & CONNECTION DIAGRAM



* With power switch only
Use either of module or external field terminals.

Section A. Field Terminals



 Specifications are subject to change without notice.