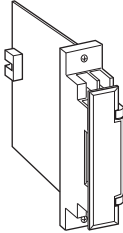


Rack-mounted DCS Signal Conditioners 18K-RACK

OUTPUT ISOLATOR

Functions & Features

- Takes 1 - 5 V DC as input
- Module can be retracted without removing wiring for an insulation test
- Capable of monitoring input signals at front terminals
- Optional power switch



MODEL: 18KYS-6[1]-R[2]

ORDERING INFORMATION

- Code number: 18KYS-6[1]-R[2]

Specify a code from below for each of [1] and [2].
(e.g. 18KYS-66-R/S)

INPUT

Voltage

6: 1 - 5 V DC (Input resistance 1 M Ω min.)

[1] OUTPUT

Current

A: 4 - 20 mA DC (Load resistance 600 Ω max.)

Voltage

6: 1 - 5 V DC (Load resistance 500 Ω min.)

POWER INPUT

DC Power

R: 24 V DC

(Operational voltage range 24 V \pm 10 %, ripple 10 %p-p max.)

[2] OPTIONS

Power Switch

blank: None

/S: With power switch

GENERAL SPECIFICATIONS

Construction: Rack-mounted; terminal access via screw terminals on the front and connector on the rear; terminal cover provided

Connection

Input: Connector

Input monitor: M3.5 screw terminals (torque: 0.8 N·m)

Output: M3.5 screw terminals (torque: 0.8 N·m) and connector

Power: Supplied from connector

Screw terminal: Nickel-plated steel

Isolation: Input to output to power

Overrange output: Approx. -10 to +120 % at 1 - 5 V

Zero adjustment: -5 to +5 % (front)

Span adjustment: 95 to 105 % (front)

OUTPUT SPECIFICATIONS

The output goes below 0 % when the input is open.

INSTALLATION

Current consumption:

Approx. 30 mA with voltage output

Approx. 50 mA with current output

Operating temperature: -5 to +55°C (23 to 131°F)

Operating humidity: 30 to 90 %RH (non-condensing)

Mounting: Standard Rack 18KBXx

Weight: 150 g (0.33 lb)

PERFORMANCE in percentage of span

Accuracy: \pm 0.1 %

Temp. coefficient: \pm 0.015 %/°C (\pm 0.008 %/°F)

Response time: \leq 0.5 sec. (0 - 90 %)

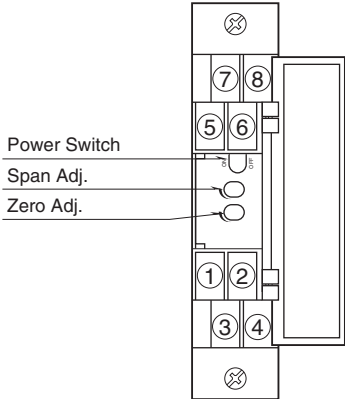
Line voltage effect: \pm 0.1 % over voltage range

Insulation resistance: \geq 100 M Ω with 500 V DC

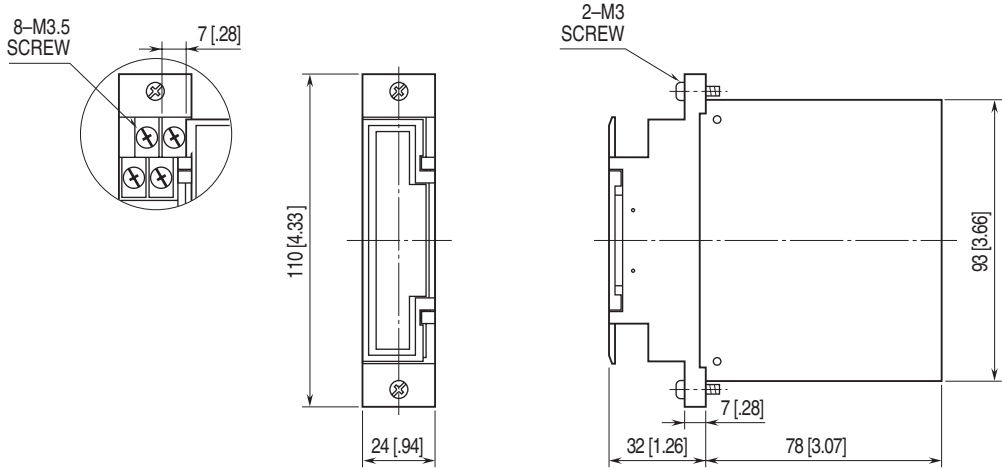
Dielectric strength: 500 V AC @ 1 minute (input to output to power to ground)

EXTERNAL VIEW

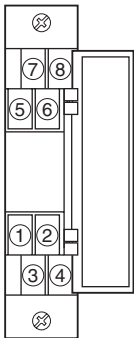
■ WITH POWER SWITCH



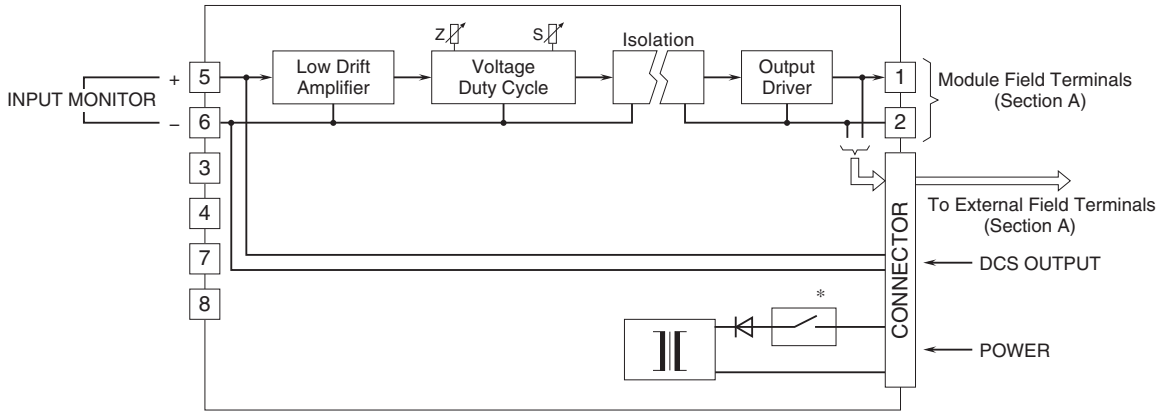
EXTERNAL DIMENSIONS unit: mm [inch]



TERMINAL ASSIGNMENTS

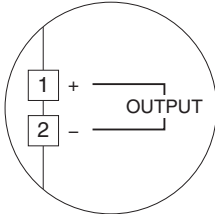



SCHEMATIC CIRCUITRY & CONNECTION DIAGRAM



* With power switch only
Use either of module or external field terminals.

Section A. Field Terminals



 Specifications are subject to change without notice.