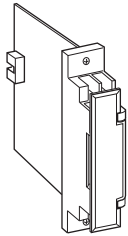


## Rack-mounted DCS Signal Conditioners 18K-RACK

### INPUT ISOLATOR

#### Functions & Features

- Isolates and outputs 1 - 5 V DC
- Module can be retracted without removing wiring for an insulation test



### MODEL: 18KYV-666-R

#### ORDERING INFORMATION

- Code number: 18KYV-666-R

#### INPUT

Voltage

6: 1 - 5 V DC (Input resistance 1 M $\Omega$  min.)

#### OUTPUT 1

Voltage

6: 1 - 5 V DC (Load resistance 2000  $\Omega$  min.)

#### OUTPUT 2

Voltage

6: 1 - 5 V DC (Load resistance 2000  $\Omega$  min.)

#### POWER INPUT

DC Power

R: 24 V DC

(Operational voltage range 24 V  $\pm$ 10 %, ripple 10 %p-p max.)

#### GENERAL SPECIFICATIONS

**Construction:** Rack-mounted; terminal access via screw terminals on the front and connector on the rear; terminal cover provided

#### Connection

**Input:** M3.5 screw terminals (torque 0.8 N·m) and connector

**Output 1:** Connector

**Output 2:** M3.5 screw terminals (torque 0.8 N·m) and connector

**Power input:** Supplied from connector

**Screw terminal:** Nickel-plated steel

**Isolation:** Input to output 1 to output 2 to power

**Zero adjustment:** -5 to +5 % (front)

**Span adjustment:** 95 to 105 % (front)

#### OUTPUT SPECIFICATIONS

The output goes below 0 % when the input is open.

#### INSTALLATION

**Current consumption:** Approx. 35 mA

**Operating temperature:** -5 to +55°C (23 to 131°F)

**Operating humidity:** 30 to 90 %RH (non-condensing)

**Mounting:** Standard Rack 18KBXx

**Weight:** 150 g (0.33 lb)

#### PERFORMANCE in percentage of span

**Accuracy:**  $\pm$ 0.1 %

**Temp. coefficient:**  $\pm$ 0.015 %/°C ( $\pm$ 0.008 %/°F)

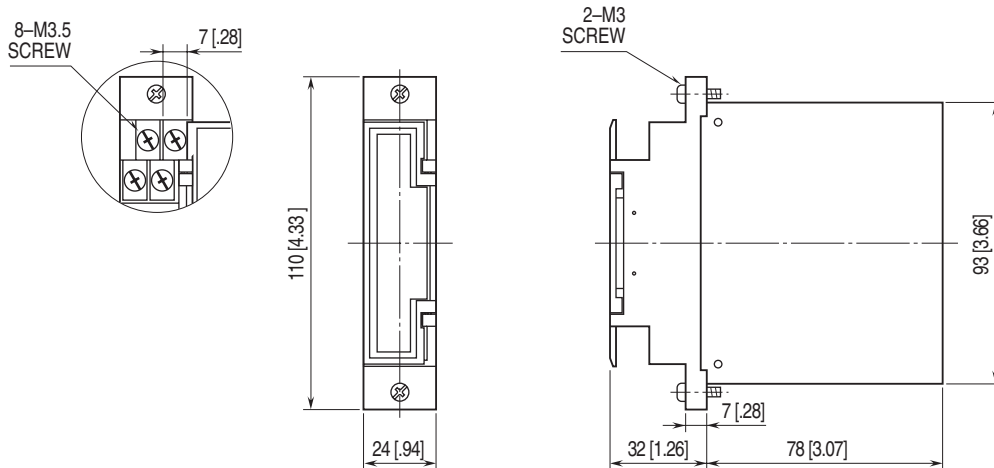
**Response time:**  $\leq$  0.5 sec. (0 - 90 %)

**Line voltage effect:**  $\pm$ 0.1 % over voltage range

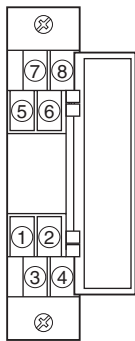
**Insulation resistance:**  $\geq$  100 M $\Omega$  with 500 V DC

**Dielectric strength:** 500 V AC @ 1 minute (input to output 1 to output 2 to power to ground)

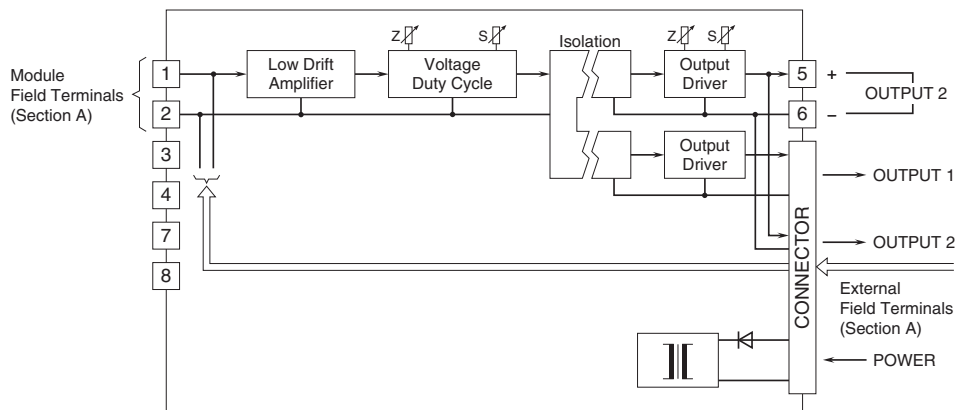
## EXTERNAL DIMENSIONS unit: mm [inch]



## TERMINAL ASSIGNMENTS

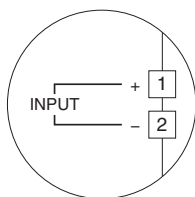


## SCHEMATIC CIRCUITRY & CONNECTION DIAGRAM



Use either of module or external field terminals.

Section A. Field Terminals





Specifications are subject to change without notice.