

## Hybrid IC Isolation Amplifiers 20 Series

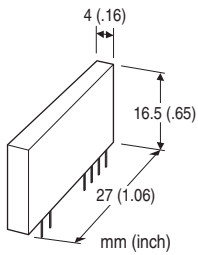
**Mounting:** Soldering to the printed wiring board

**Weight:** Approx. 5 g (0.18 oz)

### CLOCK GENERATOR

#### Function & Features

Supplying external clock and power to maximum 8 of external synchronous Isolation Amplifier e.g. 20VS5-210 or 20VS5-213.



### MODEL: 20VS5-2-U

#### ORDERING INFORMATION

- Code number: 20VS5-2-U

#### POWER INPUT

DC Power

U: 15 V DC

#### RELATED PRODUCTS

- Isolation amplifier (model: 20VS5-210, 20VS5-213)

#### GENERAL SPECIFICATIONS

**Construction:** Hybrid IC

**Housing material:** Flame-resistant resin (black)

#### OUTPUT SPECIFICATIONS

##### ■ Clock

**Output voltage:** 0 - 15 V DC  $\pm 5\%$  @ rated power

**Frequency:** 210 kHz  $\pm 5\%$

**Duty cycle:** 50 %  $\pm 5\%$

**Waveform:** Square wave

**Fan-out:** 8 of 20VS5-210, 20VS5-213

#### INSTALLATION

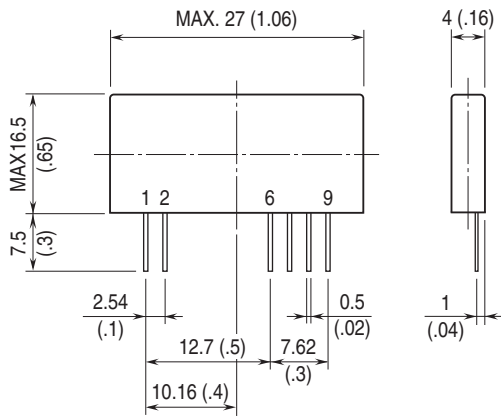
##### Power input

- **DC:** Operational voltage range: Rating  $\pm 5\%$ , ripple 2 %p-p max.; approx. 7 mA with no load, approx. 15 mA per one 20VS5-210 or 20VS5-213

**Operating temperature:** -10 to +70°C (14 to 158°F)

**Operating humidity:** 30 to 90 %RH (non-condensing)

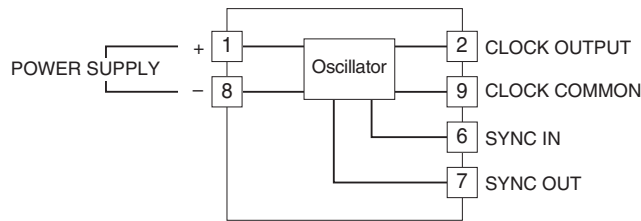
## EXTERNAL DIMENSIONS & TERMINAL ASSIGNMENTS unit: mm [inch]



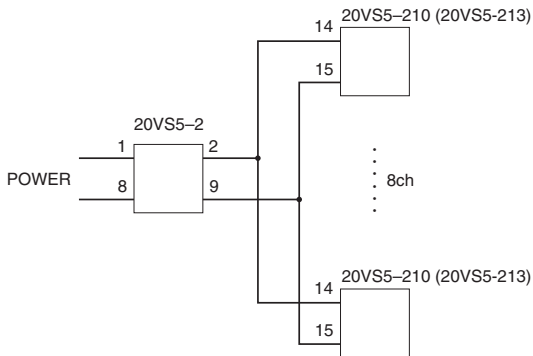
### PIN ASSIGNMENT

1	POWER SUPPLY (+)
2	CLOCK OUTPUT
6	SYNC IN
7	SYNC OUT
8	POWER SUPPLY (-)
9	CLOCK COMMON

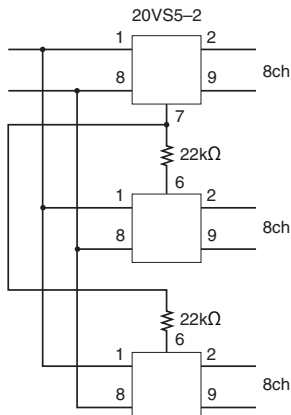
## SCHEMATIC CIRCUITRY & CONNECTION DIAGRAM



## APPLICATION EXAMPLE



Clock generator model 20VS5-2 is capable of driving up to 8 of 20VS5-210 or 20VS5-213.  
When driving more than 8 modules, the daisy chain connection as shown below is available.





Specifications are subject to change without notice.