

Head-mounted Two-wire Signal Conditioners 26-UNIT

RTD TRANSMITTER

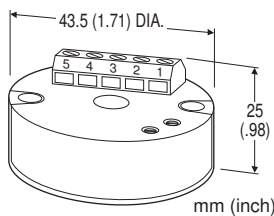
(isolated)

Functions & Features

- Accepts direct input from an RTD and provides a standard 4 - 20 mA DC signal
- Linearization and burnout
- Wide operating temperature range suitable for harsh environments

Typical Applications

- Mounting in a sensor connection head minimizes noise effect and signal degradation



MODEL: 26RS-[1][2]

ORDERING INFORMATION

- Code number: 26RS-[1][2]
- Specify a code from below for each of [1] and [2].
(e.g. 26RS-4/K/BL)
- Temperature range (e.g. 0 - 100°C)

[1] INPUT RTD (2- or 3-wire)

- 1:** JPt 100 (JIS '89)
(Usable range: -100 to +500°C, -148 to +932°F, min.span: 50°C, 90°F)
 - 3:** Pt 100 (JIS '89)
(Usable range: -100 to +650°C, -148 to +1202°F, min.span: 50°C, 90°F)
 - 4:** Pt 100 (JIS '97, IEC)
(Usable range: -100 to +850°C, -148 to +1562°F, min.span: 50°C, 90°F)
 - 5:** Pt 50Ω (JIS '81)
(Usable range: -100 to +500°C, -148 to +932°F, min.span: 100°C, 180°F)
 - 6:** Ni 508.4 Ω
(Usable range: -50 to +200°C, -58 to +392°F; min.span: 30°C, 54°F)
- Note: Consult us for 2-wire RTD

[2] OPTIONS (multiple selections)

- Response Time (0 - 90 %)
- blank:** Standard (≤ 0.5 sec.)
- /K:** Fast Response (Approx. 25 msec.)

- Burnout
- blank:** Upscale burnout
- /BL:** Downscale burnout

GENERAL SPECIFICATIONS

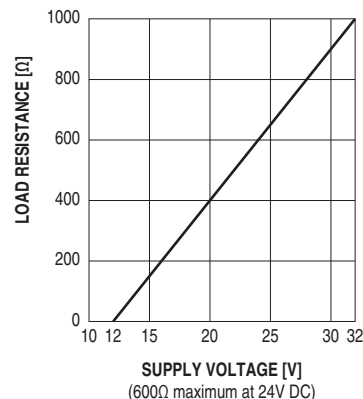
- Construction:** Sensor head-mounting
- Connection:** Euro type terminal
- Applicable wire size:** 0.14 - 1.5 mm², stripped length 6 mm
- Housing material:** Flame-resistant resin (black)
- Isolation:** Input to output
- Zero adjustment:** -1 to +1 % (front)
- Span adjustment:** 99 to 101 % (front)
- Linearization:** Standard

INPUT SPECIFICATIONS

- Maximum leadwire resistance:** 20 Ω per wire (3-wire)
- Sensing current:** 0.7 mA (Pt); 0.35 mA (Ni 508.4 Ω)

OUTPUT SPECIFICATIONS

- Output:** 4 - 20 mA DC
- Load resistance vs. supply voltage:**
Load Resistance (Ω) = (Supply Voltage (V) - 12 (V)) ÷ 0.02 (A) (including leadwire resistance)



INSTALLATION

- Supply voltage:** 12 - 32 V DC
- Operating temperature:** -40 to +85°C (-40 to +185°F)
- Operating humidity:** 0 to 90 %RH (non-condensing)
- Mounting:** Head-mounting (DIN type B head)
- Weight:** 20 g (0.71 oz)

PERFORMANCE in percentage of span

- Accuracy:** ±0.2 %
- Temp. coefficient:** ±0.02 %/°C (±0.01 %/°F)
- Burnout response:** ≤ 10 sec.
- Insulation resistance:** ≥ 100 MΩ with 500 V DC
- Dielectric strength:** 2000 V AC @1 minute

(input to output to ground)

STANDARDS & APPROVALS

EU conformity:

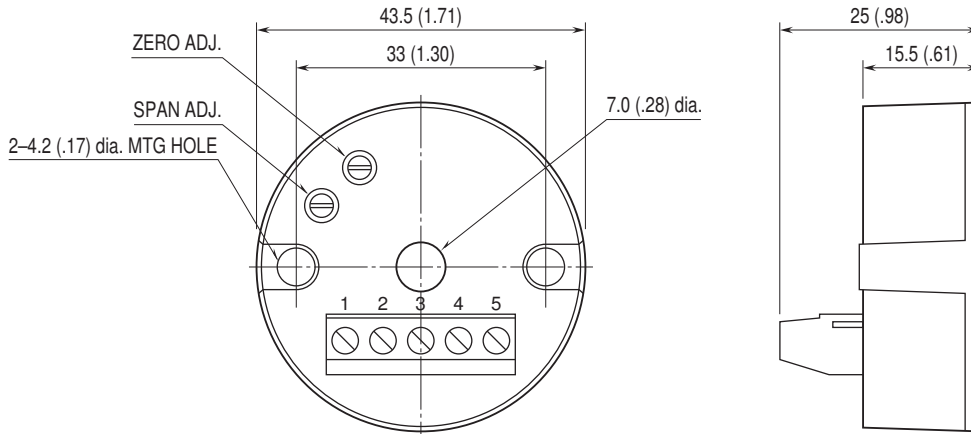
EMC Directive

EMI EN 61000-6-4

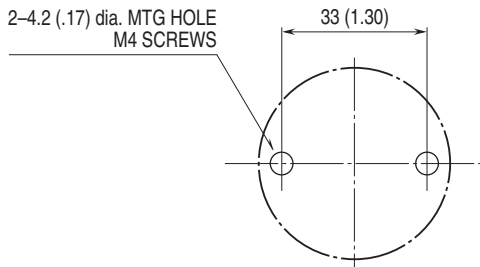
EMS EN 61000-6-2

RoHS Directive

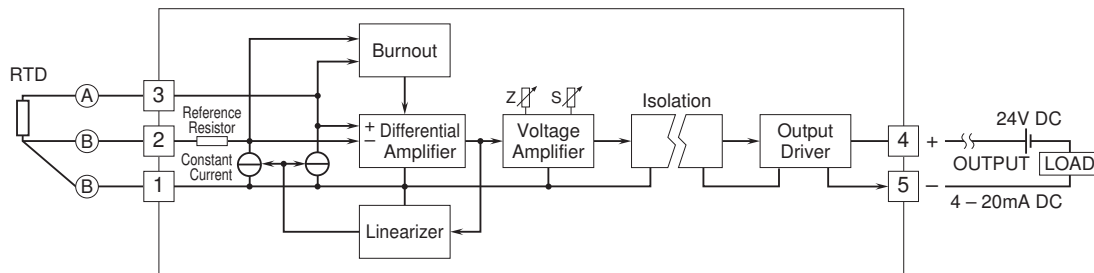
EXTERNAL DIMENSIONS & TERMINAL ASSIGNMENTS unit: mm [inch]



MOUNTING REQUIREMENTS unit: mm [inch]



SCHEMATIC CIRCUITRY & CONNECTION DIAGRAM





Specifications are subject to change without notice.