

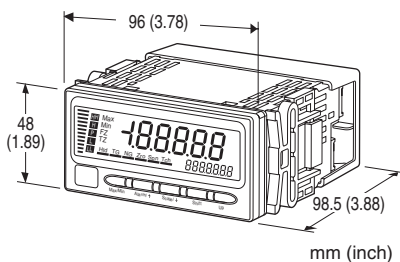
## Digital Panel Meters 47 Series

### AC INPUT DIGITAL PANEL METER

(5½ digit, LCD display type, true RMS sensing)

#### Functions & Features

- 5 1/2 digit AC input digital panel meter
- Scaling range -20000 to 100000
- 1/8 DIN size
- Display color can be changed at alarm
- Bargraph indicator shows approximate measuring status
- External event trigger input
- RS-485 / Modbus RTU output
- Infrared interface
- BCD output
- Loop test output (DC output option)
- IP66 front panel
- Separable terminal block
- Safety terminal cover tethered to the device with a strap



## MODEL: 47DAC-[1][2][3]-[4][5]

### ORDERING INFORMATION

- Code number: 47DAC-[1][2][3]-[4][5]
- Specify a code from below for each of [1] through [5].  
(e.g. 47DAC-111-M2/Q)
- Specify the specification for option code /Q  
(e.g. /C01/S01/SET)

#### [1] INPUT

- 1: AC voltage
- 2: AC current

#### [2] DC OUTPUT

- 0: Without
- 1: With

#### [3] I/O OPTIONS

- 0: None
- 1: Alarm output: N.O. relay, 4 points
- 2: Alarm output: SPDT relay, 2 points

- 3: Alarm output: N.O. photo MOSFET relay, 4 points
- 4: Network interface: RS-485 / Modbus RTU
- 5: BCD output
- 6: Event trigger input
- 7: Alarm output: N.O. relay, 4 points  
+ Network interface: RS-485 / Modbus RTU
- 8: Alarm output: SPDT relay, 2 points +  
Network interface: RS-485 / Modbus RTU
- 9: Alarm output: N.O. photo MOSFET relay, 4 points + BCD output
- A: Event trigger input + BCD output

#### [4] POWER INPUT

##### AC Power

M2: 100 - 240 V AC (Operational voltage range 85 - 264 V, 50/60 Hz)

##### DC Power

R: 24 V DC

(Operational voltage range 24 V ±10 %, ripple 10 %p-p max.)

P: 110 V DC

(Operational voltage range 85 - 150 V, ripple 10 %p-p max.)

#### [5] OPTIONS

blank: none

/Q: With options (specify the specification)

### SPECIFICATIONS OF OPTION: Q (multiple selections)

COATING (For the detail, refer to our web site.)

Moving parts and indicators are not coated.

/C01: Silicone coating

/C02: Polyurethane coating

/C03: Rubber coating

TERMINAL SCREW MATERIAL

/S01: Stainless steel

EX-FACTORY SETTING

/SET: Preset according to the Ordering Information Sheet  
(No. ESU-9518)

### RELATED PRODUCTS

- Connector terminal block (model: CNT)
  - Special cable (model: HDR40)
  - Infrared Communication Adaptor (model: COP-IRU)
  - PC configurator software (model: 47DCFG)
- Downloadable at our web site.

### GENERAL SPECIFICATIONS

**Construction:** Panel flush mounting

**Degree of protection:** IP66; applicable to the front of the panel meter mounted according to the specified panel cutout

**Connection**

**Input, DC output, relay output, network interface, power:**

M3 separable screw terminal (torque 0.6 N·m)

**Photo MOSFET relay, event trigger input:** Euro Type Connector Terminal

(applicable wire size: max. 1.3 dia., 0.5 – 1.25 mm<sup>2</sup>, stripped length 7 - 8 mm)

**BCD output:** 50-pin connector

(Honda Tsushin Kogyo HDR-EC50LFDT1-SLE+)

**Screw terminal:** Nickel-plated steel (standard) or stainless steel

**Housing material:** Flame-resistant resin (gray)

**Isolation:** Input to DC output to HH output or H output to L output or LL output to network or BCD output or event trigger input to power

**Input waveform:** Up to 15 % of 3rd harmonic content

**Infrared communication:** Transmission distance max. 1 meter (for use with the COP-IRU)

**Setting:** (Front button)

- Scaled range
- Input type
- Alarm setpoint
- Hysteresis (deadband)
- Averaging
- Others

(Refer to the instruction manual for details)

**Sampling rate:** 20 times/sec. (50 msec.)

**Averaging:** Simple average, moving average or no averaging

**Lockout setting:** Prohibiting certain operations; protecting settings

## DISPLAY

**Main display:** 5½ digits, LCD with LED backlight, 7-segment, 14.2 mm (.56) high

**Color:** Red or green changeable at alarm

**Scaling range:** -20000 to 100000

**Decimal point position:** 10<sup>-1</sup>, 10<sup>-2</sup>, 10<sup>-3</sup>, 10<sup>-4</sup> or none

**Zero indication:** Higher-digit zeros are suppressed.

**Sub display:** 7 digits, LCD with LED backlight, 7-segment, 5.5 mm (.22) high

**Color:** Green

**Over-range indication:** '-20000' or '100000' blinking for display values out of the scaled range (decimal point position depending upon setting). 'S.ERR' (main display) and 'OVER' (sub display) blinking when the input signal is out of the usable range.

**Bargraph**

**No. of LED segments:** 20, displayed with divided by 10

**Color:** Amber

**Alarm status indication**

All setpoints can be set and indicated regardless of alarm output options. Each is independently set either for Hi or Lo alarm trip.

**LL indicator:** Turns on in red when the LL alarm is tripped.

**L indicator:** Turns on in red when the L alarm is tripped.

**H indicator:** Turns on in green when the H alarm is tripped.

**HH indicator:** Turns on in green when the HH alarm is tripped.

**P indicator:** Turns on in amber when none of the other alarms is tripped.

**Status indicators:** Max, Min, FZ, TZ

Display max./min. value, Amber LED turns on at forced zero mode and tare adjustment mode

**Function indicators**

**Hld:** Turns on in green when HOLD signal is ON

**TG:** Turns on in green when TIMING signal is ON

**NG:** Blinking in green when a parameter is invalid

**Zro:** Turns on in green at zero setting of scaling setting mode

**Spn:** Turns on in green at span setting of scaling setting mode

**Tch:** Turns on in green at input scaling, blinking in red at teach calibration

**Engineering unit indication:** Sticker label attached

DC, AC, mV, V, kV,  $\mu$ A, mA, A, kA, mW, W, kW, var, kvar, Mvar, VA, Hz,  $\Omega$ , k $\Omega$ , M $\Omega$ , cm, mm, m, m/sec, mm/min, cm/min, m/min, m/h, m/s<sup>2</sup>, inch, l, l/s, l/min, l/h, m<sup>3</sup>, m<sup>3</sup>/sec, m<sup>3</sup>/min, m<sup>3</sup>/h, Nm<sup>3</sup>/h, N·m, N/m<sup>2</sup>, g, kg, kg/h, N, kN, Pa, kPa, MPa, t, t/h, °C, °F, %RH, J, kJ, MJ, rpm, sec, min, min<sup>-1</sup>, pH, %, ppm, etc.

## INPUT SPECIFICATIONS

**Input frequency:** 40 Hz – 1 kHz

**Overload capacity:** 200 % of rating for 10 sec., 110 % of rating continuous

### ■ INPUT CODE: 1 (AC voltage)

TYPE ID	MEASURING RANGE	OPERATIONAL RANGE	INPUT IMPEDANCE
0.2 $\nu$	0 – 0.2 V	0 – 0.22 V	1 M $\Omega$ minimum
2 $\nu$	0 – 2 V	0 – 2.2 V	1 M $\Omega$ minimum
20 $\nu$	0 – 20 V	0 – 22 V	1 M $\Omega$ minimum
200 $\nu$	0 – 200 V	0 – 220 V	1 M $\Omega$ minimum

### ■ INPUT CODE: 2 (AC current)

TYPE ID	MEASURING RANGE	OPERATIONAL RANGE	INPUT IMPEDANCE
0.2 $\bar{n}A$	0 – 0.2 mA	0 – 0.22 mA	100 $\Omega$
2 $\bar{n}A$	0 – 2 mA	0 – 2.2 mA	100 $\Omega$
20 $\bar{n}A$	0 – 20 mA	0 – 22 mA	1 $\Omega$
200 $\bar{n}A$	0 – 200 mA	0 – 220 mA	1 $\Omega$

## DC OUTPUT SIGNAL SPECIFICATIONS

### ■ VOLTAGE OUTPUT

TYPE ID	OUTPUT RANGE	OPERATIONAL RANGE	LOAD RESISTANCE
0-5V	0 – 5V	-0.5 – +5.5V	2000Ω minimum
5V	±5V	-6 – +6V	4000Ω minimum
10V	±10V	-12 – +12V	8000Ω minimum

### ■ CURRENT OUTPUT

TYPE ID	OUTPUT RANGE	OPERATIONAL RANGE	LOAD RESISTANCE
0-20mA	0 – 20mA	-2 – +22mA	400Ω maximum
4-20mA	4 – 20mA	2.4 – 21.6mA	400Ω maximum

## I/O OPTIONS

■ **Event Trigger Input:** Dry contact or NPN open collector

**Input current:** ≤ 3 mA

**Sensing:** 6 V

**Contact detecting:** ≤ 1.5 V at ON; ≥ 3 V at OFF

**Signal ID and Details**

**S-TMR:** Startup Timer

Measuring starts in the predetermined time after detecting the signal turning on.

**TIMING:** Timing

Used for various timing hold functions

**ZERO:** Forced Zero

Forced Zero and tare adjustment are externally controlled when ZERO signal is turned on/off.

**HOLD:** Hold data

Reading measured signal stops and the last value is held when HOLD signal is turned on.

**RESET:** Reset data

The device is reset when RESET signal is turned on.

■ **Alarm Output:** Relay contact

**Rated load:** 250 V AC @ 3 A (cos φ = 1)

30 V DC @ 3 A (resistive load)

**Maximum switching voltage:** 250 V AC, 30 V DC

**Maximum switching power:** 750 VA, 90 W (resistive load)

**Minimum load:** 5 V DC @ 10 mA

**Mechanical life:** ≥ 5 × 10<sup>6</sup> cycles (rate 180 cycles/min.)

■ **Alarm Output:** Photo MOSFET relay

**Rated load:** 120 V AC/DC @ 80 mA (resistive load)

**ON resistance:** 25 Ω

**Permissible loss:** 250 mW

■ **Network Interface**

**Transmission:** Half-duplex, asynchronous, no procedure

**Interface:** Conforms to TIA/EIA-485-A

**Max. transmission distance:** 500 meters

**Baud rate:** 1.2 – 38.4 kbps

**Max. number of nodes:** 31 (except the master)

**Protocol:** Modbus RTU

**Parity:** None, odd or even

**Stop bit:** 1 bit, 2 bits

**Node address:** 1 to 247

**Media:** Shielded twisted-pair cable (CPEV-S 0.9 dia.)

**Terminating resistor:** Built-in (Connect across T2 - T3, when the unit is the end of the line)

■ **BCD Output + Control Signals**

• **Input Signals:** Dry contact or NPN open collector

**Input current:** ≤ 3 mA

**Sensing:** 6 V

**Contact detecting:** ≤ 1.5 V at ON; ≥ 3 V at OFF

**Signal ID and Details**

**REQ:** Request BCD data

Valid data in approx. 30 msec. after detecting the signal's rising edge

**MIN\_REQ:** Request Minimum reading data

Valid data in approx. 30 msec. after detecting the signal's rising edge

**MAX\_REQ:** Request Maximum reading data

Valid data in approx. 30 msec. after detecting the signal's rising edge

**HOLD:** Hold data

Reading measured signal stops and the last value is held when HOLD signal is turned on.

**RESET:** Reset data

All BCD data turn off when RESET signal is turned on.

• **Output Signals:** NPN open collector

**Max. load voltage:** 24 V DC

**Max. load current:** 10 mA

**Saturation voltage:** ≤ 0.3 V

**Leakage current:** ≤ 500 μA

**Signal ID and Details**

**DATA (Do 11...Do 68):** BCD Output data in 6 digits

Do 1x = LSD ... Do 6x = 6th LSD

**POL:** BCD Polarity

ON = (-), OFF = (+)

**OVF:** BCD Overflow/underflow (scaling error)

Output given at overflow or underflow (scaling error)

**DAV:** Data Valid

ON = valid, OFF = invalid

**RUN:** Run

Means the meter is functioning.

OFF = Error except the scaling error

No DAV or DATA output is given when

RUN signal is not provided.

• **Alarm Output Signals:** NPN open collector

**Max. load voltage:** 24 V DC

**Max. load current:** 50 mA

**Saturation voltage:** ≤ 1.1 V

**Leakage current:** ≤ 500 μA

**Signal ID and Details**

**HH:** HH alarm trip output

**H:** H alarm trip output

**PASS:** PASS zone output  
**L:** L alarm trip output  
**LL:** LL alarm trip output

## INSTALLATION

### Power consumption

•AC:

Approx. 8 VA at 100 V

Approx. 10 VA at 200 V

Approx. 12 VA at 264 V

•DC:  $\leq 3.5$  W

**Operating temperature:** -10 to +55°C (14 to 131°F)

**Operating humidity:** 30 to 90 %RH (non-condensing)

**Mounting:** Panel flush mounting

**Weight:** 300 g (0.66 lb)

## PERFORMANCE

### Accuracy

**Display:**  $\pm 0.5$  %  $\pm 10$  digits with input 5 - 100 %

**Output:**  $\pm 0.1$  %

(DC output = display + output)

**Temp. coefficient:**  $\pm 0.05$  %/°C ( $\pm 0.03$  %/°F)

**Input resolution:** Max. 19 bits

**Output resolution:** Max. 14 bits

**Response time:**  $\leq 0.5$  sec.

(alarm output: 0 - 100 % at 90 % setpoint)

$\leq 0.5$  sec. (DC output: 0 - 90 %)

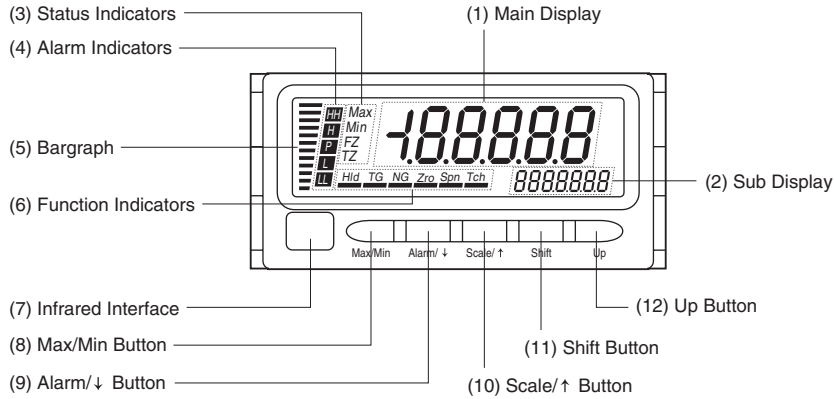
**Line voltage effect:**  $\pm 0.1$  % over voltage range

**Insulation resistance:**  $\geq 100$  M $\Omega$  with 500 V DC

**Dielectric strength:** 2000 V AC @ 1 minute

(input to DC output to HH output or H output to L output or LL output to network or BCD output or event trigger input to power to ground)

**EXTERNAL VIEW**

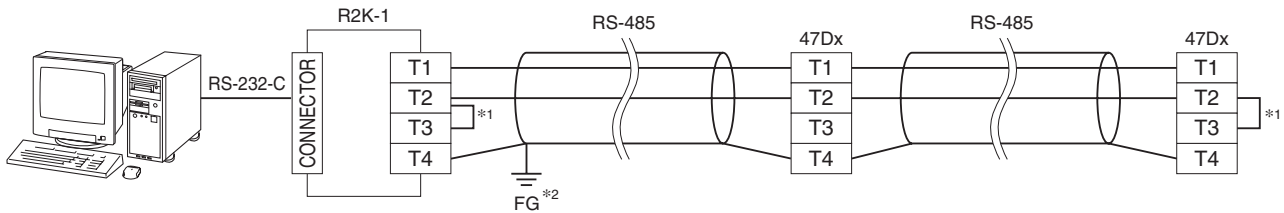


**• COMPONENT IDENTIFICATION**

No.	COMPONENT	FUNCTION
(1)	Main display	Indicates present values, setting values and status of the unit.
(2)	Sub display	Indicates the present setting mode.
(3)	Status indicators	Indicate Max/Min display mode, Forced zero mode and Tare adjustment mode.
(4)	Alarm indicators	Indicate alarm status of the input signal.
(5)	Bargraph	Indicates present signal level against the scaled range.
(6)	Function indicators	Indicate the device status.
(7)	Infrared interface	Used for the infrared communication.
(8)	Max/Min button	Used to switch the main display to show present values, maximum values or minimum values etc.
(9)	Alarm/↓ button	Used to confirm alarm setpoints and to move on to the alarm and other setting modes; or to shift through setting items in each setting mode.
(10)	Scale/↑ button	Used to move on to the scaling and other setting modes; or to shift through setting items in each setting mode.
(11)	Shift button	Used to move on to the setting standby status and shift through display digits in each setting item.
(12)	Up button	Used to change and apply setting values; or to execute/cancel Forced Zero and tare adjustment.

Note: Refer to the operating manual for details on each function.

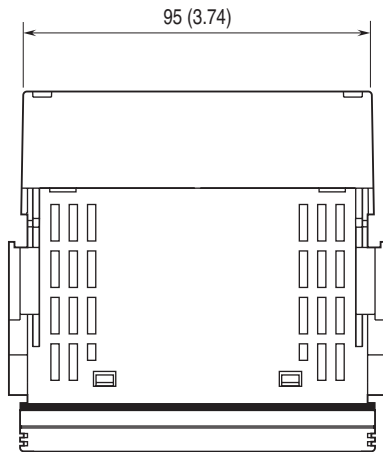
**COMMUNICATION CABLE CONNECTIONS**



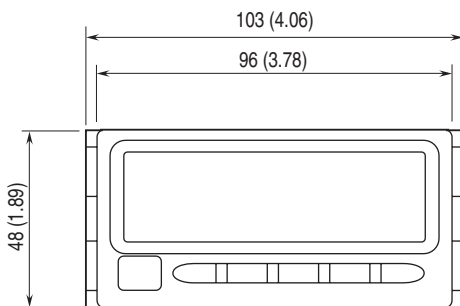
\*1. Internal terminating resistor is used when the device is at the end of a transmission line.  
 \*2. Install shield cables to all sections and ground them at single point.

## EXTERNAL DIMENSIONS & TERMINAL ASSIGNMENTS unit: mm [inch]

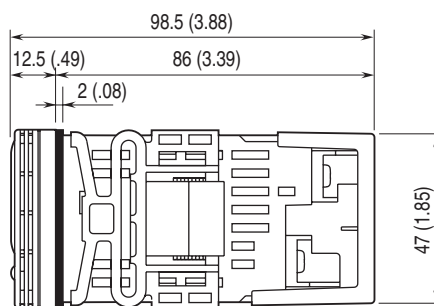
### ■ TOP VIEW



### ■ FRONT VIEW

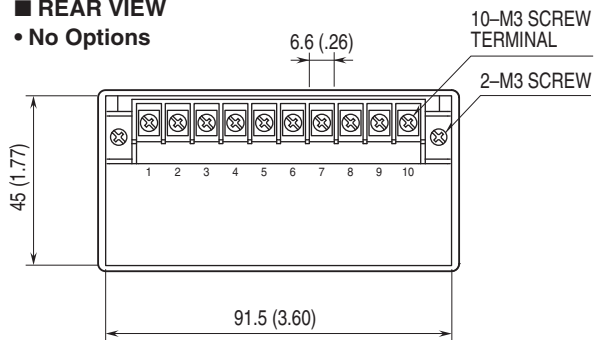


### ■ SIDE VIEW

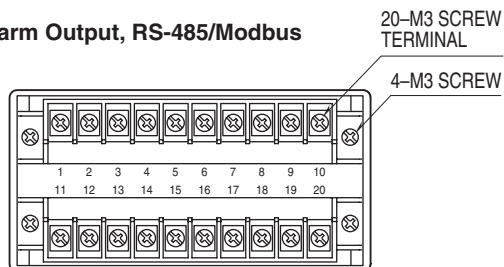


### ■ REAR VIEW

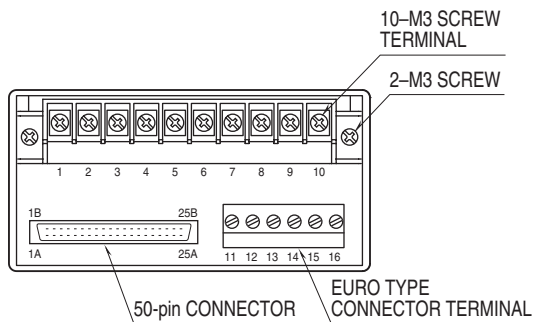
#### • No Options



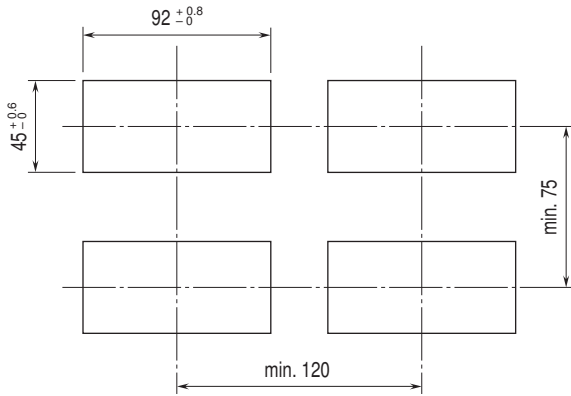
#### • Alarm Output, RS-485/Modbus



#### • BCD Output, Event Trigger Input, Alarm Output (Photo MOSFET Relay)



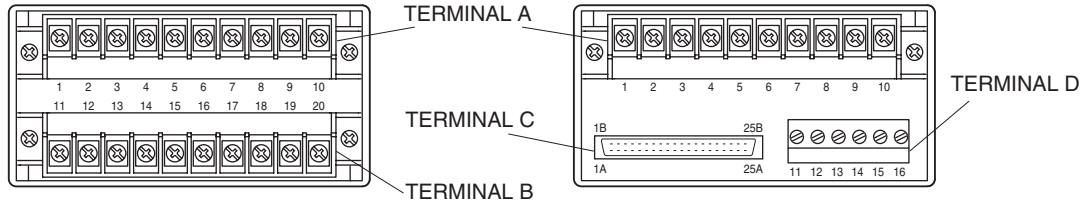
## MOUNTING REQUIREMENTS unit: mm



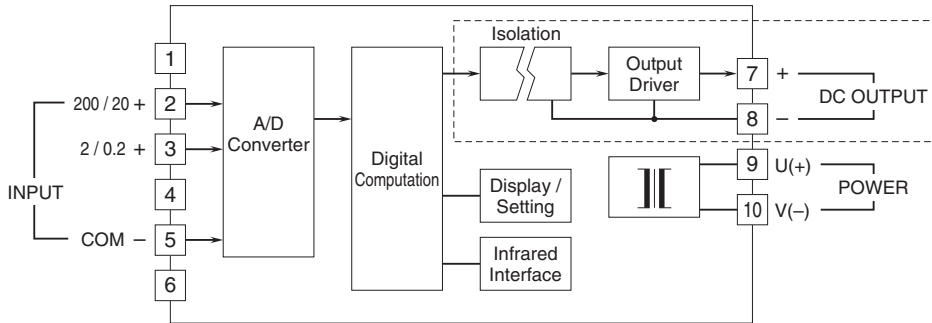
Panel thickness: 1.6 to 8.0 mm

## SCHEMATIC CIRCUITRY & CONNECTION DIAGRAM

### REAR TERMINAL ASSIGNMENTS



### TERMINAL A: BASIC



Note: The section enclosed by broken line is only with DC output option.

### Input Terminal Assignments

#### INPUT CODE: 1

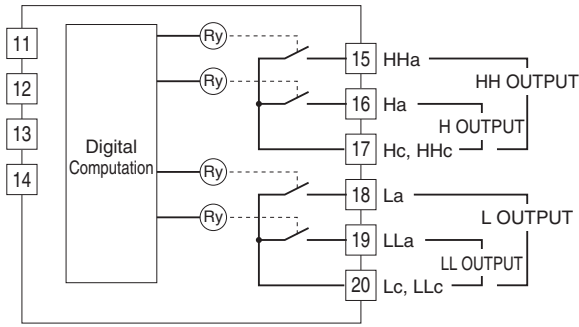
TYPE ID	MEASURING RANGE	INPUT TERMINALS
0.2 $\mu$	0 - 0.2 V	3 - 5
2 $\mu$	0 - 2 V	3 - 5
20 $\mu$	0 - 20 V	2 - 5
200 $\mu$	0 - 200 V	2 - 5

#### INPUT CODE: 2

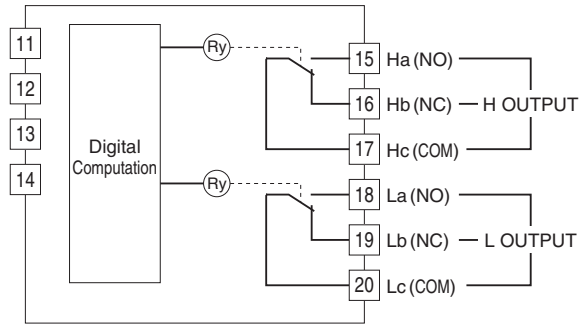
TYPE ID	MEASURING RANGE	INPUT TERMINALS
0.2 $\bar{n}A$	0 - 0.2 mA	3 - 5
2 $\bar{n}A$	0 - 2 mA	3 - 5
20 $\bar{n}A$	0 - 20 mA	2 - 5
200 $\bar{n}A$	0 - 200 mA	2 - 5

■ **TERMINAL B**

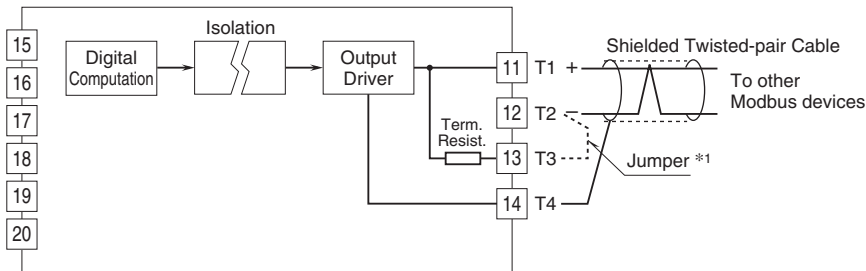
• **Alarm Output : N.O. contact, 4 points**



• **Alarm Output : SPDT contact, 2 points**



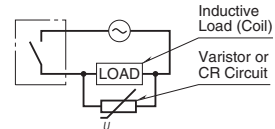
• **RS-485 / Modbus RTU**



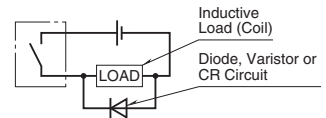
\*1. When the device is located at the end of a transmission line via twisted-pair cable (when there is no cross-wiring), close across the terminal 12 – 13 with a leadwire. When the device is not at the end, no shortcircuit wire is required.

■ **Relay Protection**

• **AC Powered**

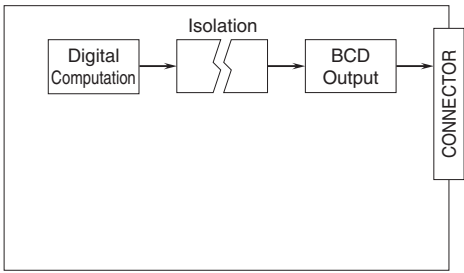


• **DC Powered**





## ■ TERMINAL C : BCD OUTPUT

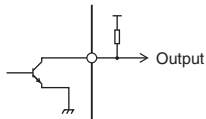


## • Connector Pin Assignment



PIN NO.	ASSIGNMENT	PIN NO.	ASSIGNMENT
1A	COM	1B	Do 38
2A	COM	2B	COM
3A	LL	3B	Do 34
4A	L	4B	COM
5A	PASS	5B	Do 32
6A	H	6B	COM
7A	HH	7B	Do 31
8A	POL	8B	COM
9A	RESET	9B	Do 28
10A	HOID	10B	COM
11A	MIN_REQ	11B	Do 24
12A	MAX_REQ	12B	COM
13A	REQ	13B	Do 22
14A	COM	14B	COM
15A	RUN	15B	Do 21
16A	DAV	16B	Do 68
17A	OVF	17B	Do 18
18A	Do 58	18B	Do 64
19A	Do 54	19B	Do 14
20A	Do 52	20B	Do 62
21A	Do 51	21B	Do 12
22A	Do 48	22B	Do 61
23A	Do 44	23B	Do 11
24A	Do 42	24B	COM
25A	Do 41	25B	COM

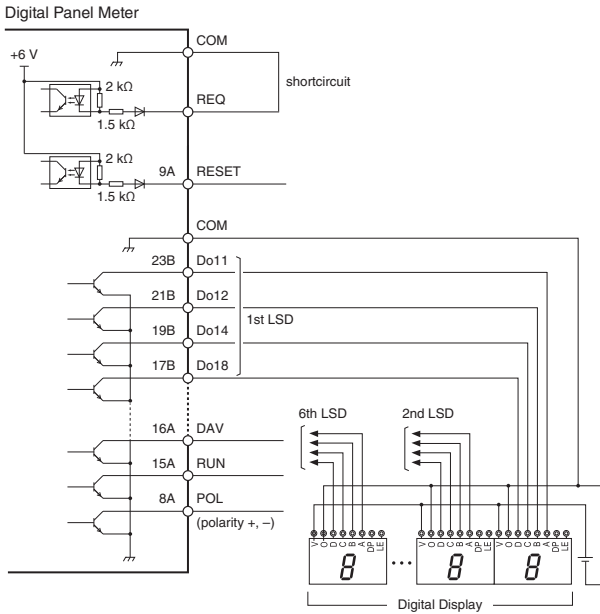
## • Open collector



## • Output Logic

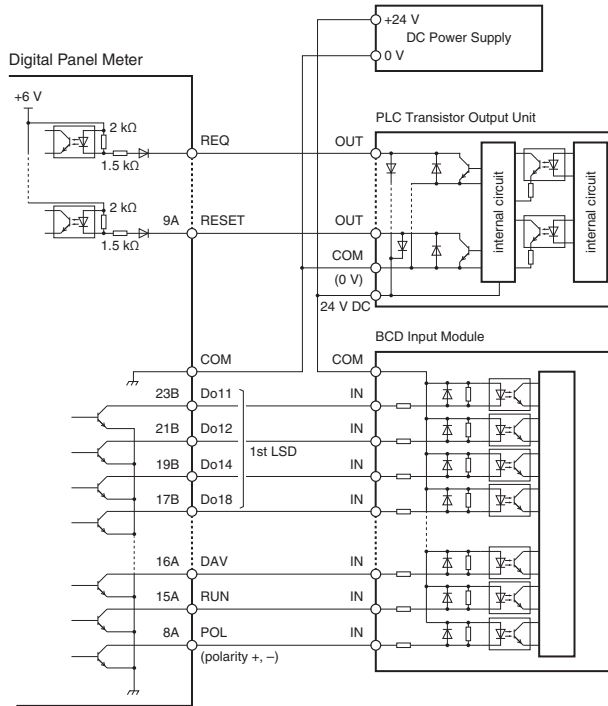
Voltage Level at ON	Output Logic
Hi	Positive
Lo	Negative

## • Connected to a digital display (example)



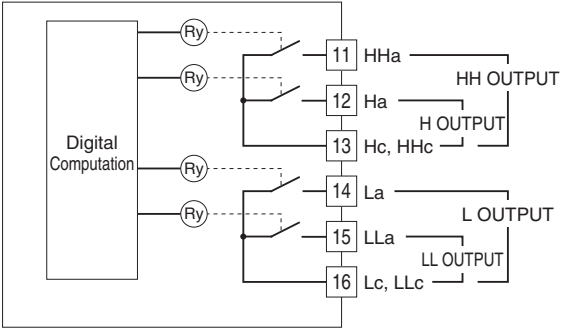
Use Special cable (model: HDR40) and Connector Terminal Block (model: CNT).  
Refer to the cable's data sheet for pin assignments.

## • Connected to a PLC (example)

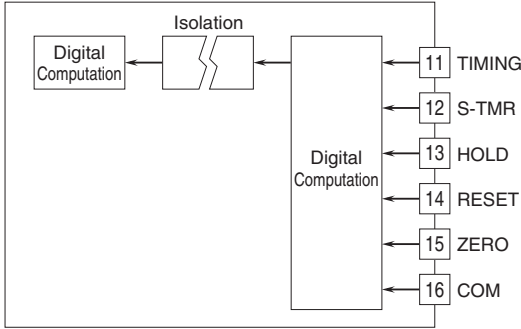


■ **TERMINAL D**

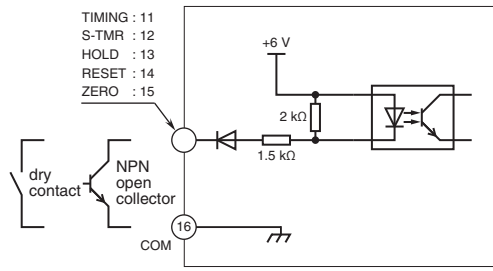
• Alarm Output : Photo MOSFET Relay N.O. contact, 4 points



• Event Trigger Input



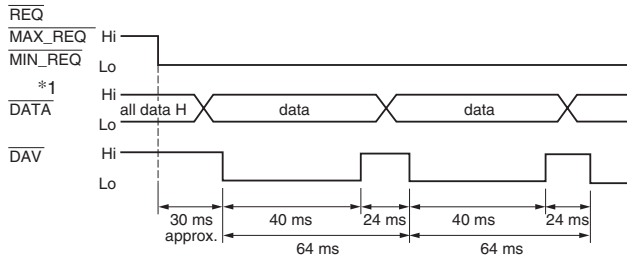
**Connection Example**



## BCD OUTPUT TIMING CHART

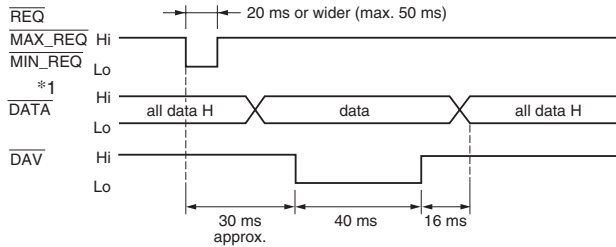
Request signals (REQ, MAX\_REQ, MIN\_REQ) from an external device (e.g. PLC) are required in order to read out BCD data. All signals in the following charts are in the negative logic (ON at LOW signal, as factory set).

### • Timing Chart for Continuous Data Output



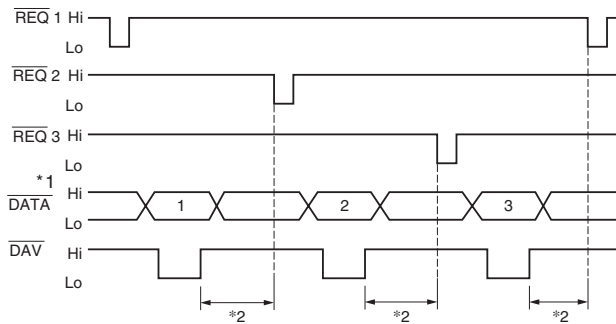
Measured data is output every 64 ms while one of REQ signals (REQ, MAX\_REQ or MIN\_REQ) remains ON. For Event trigger modes, the data value is the same as the display.

### • Timing Chart for Single Sampling Cycle Data Output



When one of REQ signals (REQ, MAX\_REQ or MIN\_REQ) is given and its width is between 20 and 50 ms, DATA is established and DAV output is given in approx. 30 ms from the falling edge of the REQ signal. Read in the data to a PLC at the timing of the DAV output signal. DAV is turned off in 40 ms. DATA is turned off in 16 ms after that.

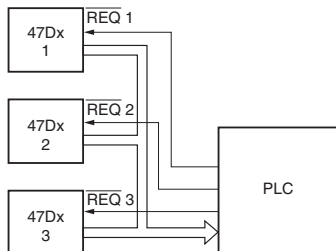
### • Output is provided via open collector, enabling wired-OR gate configuration



When DATA output logic is negative, wired-OR connection is available for BCD data, POL, OVF, HH, H, P, L and LL signals.

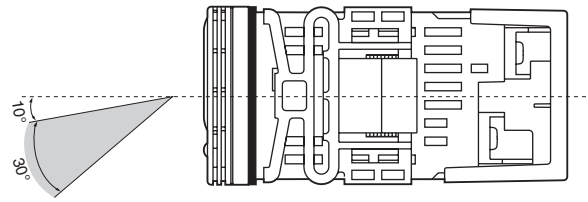
\*1. DATA includes BCD Output, POL, OVF, HH, H, P, L, LL and RUN.

\*2. Wait for at least 20 ms between DAV turning off and the next REQ signal.



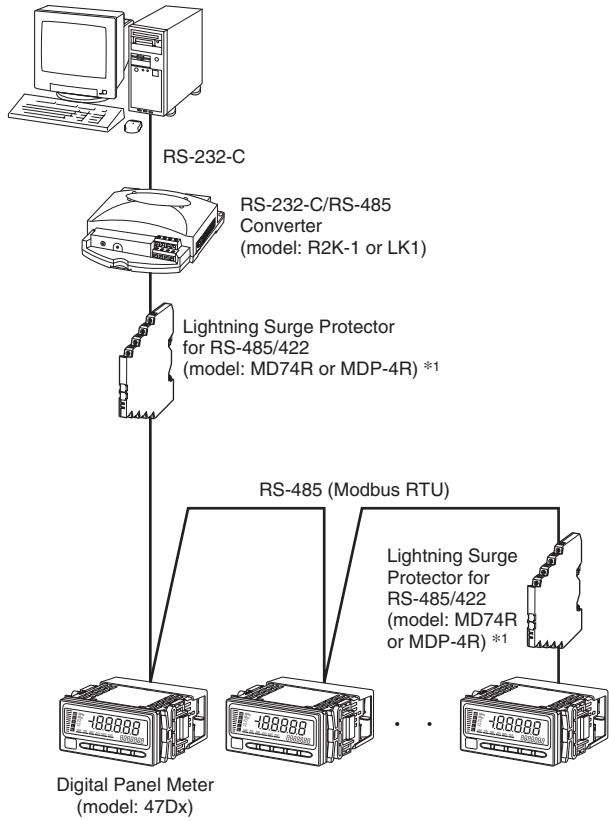
## VIEWING ANGLE

The display is designed to provide the optimal legibility when viewed from the angles as shown below.

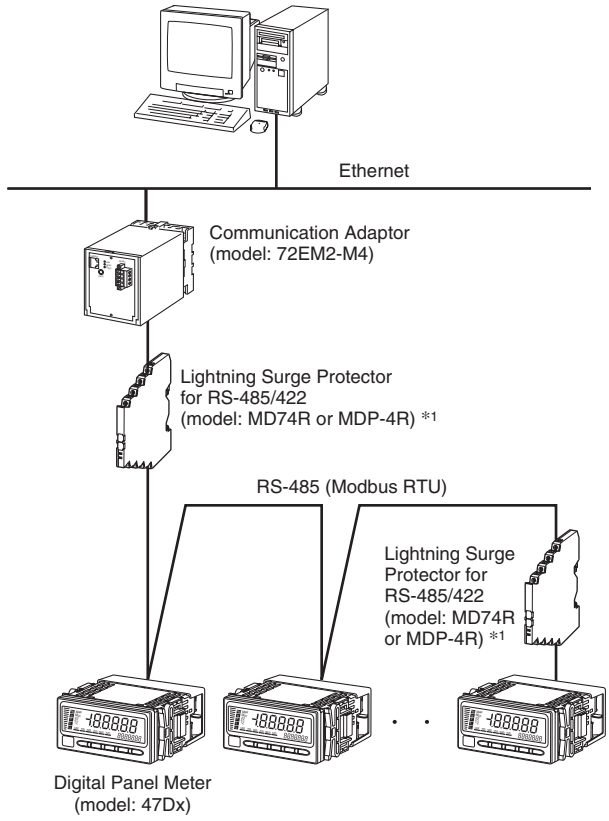


**SYSTEM CONFIGURATION EXAMPLES**


■ RS-485 / RS-232-C



■ RS-485 / ETHERNET



\*1. Insert lightning surge protectors recommended in this example if necessary.

 Specifications are subject to change without notice.