

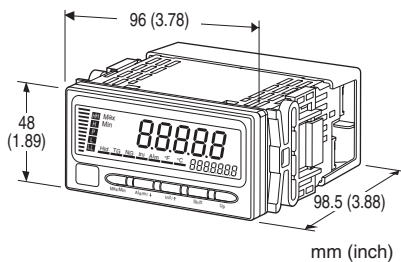
Digital Panel Meters 47 Series

THERMOCOUPLE INPUT DIGITAL PANEL METER

(5 digit, LCD display type)

Functions & Features

- 5 digit thermocouple input digital panel meter
- 1/8 DIN size
- Display color can be changed at alarm
- Bargraph indicator shows approximate measuring status
- 12 V or 24 V excitation supply
- External event trigger input
- RS-485 / Modbus RTU output
- Infrared interface
- BCD output
- Loop test output (DC output option)
- IP66 front panel
- Separable terminal block
- Safety terminal cover tethered to the device with a strap



MODEL: 47DT-1[1][2][3]-[4][5]

ORDERING INFORMATION

- Code number: 47DT-1[1][2][3]-[4][5]
- Specify a code from below for each of [1] through [5].
(e.g. 47DT-1111-M2/Q)
- Specify the specification for option code /Q
(e.g. /C01/S01/SET)

INPUT - Field-selectable

Thermocouple

- 1: (PR), K (CA), E (CRC), J (IC), T (CC),
B (RH), R, S, C (WRe 5-26), N, U, L

[1] DC OUTPUT

- 0: Without
1: With

[2] EXCITATION SUPPLY

- 1: +12 V sensor excitation
2: +24 V two-wire transmitter excitation

[3] I/O OPTIONS

- 0: None
1: Alarm output: N.O. relay, 4 points
2: Alarm output: SPDT relay, 2 points
3: Alarm output: N.O. photo MOSFET relay, 4 points
4: Network interface: RS-485 / Modbus RTU
5: BCD output
6: Event trigger input
7: Alarm output: N.O. relay, 4 points
+ Network interface: RS-485 / Modbus RTU
8: Alarm output: SPDT relay, 2 points +
Network interface: RS-485 / Modbus RTU
9: Alarm output: N.O. photo MOSFET relay, 4 points + BCD output
A: Event trigger input + BCD output

[4] POWER INPUT

AC Power

M2: 100 - 240 V AC (Operational voltage range 85 - 264 V, 50/60 Hz)

DC Power

R: 24 V DC

(Operational voltage range 24 V \pm 10 %, ripple 10 %p-p max.)

P: 110 V DC

(Operational voltage range 85 - 150 V, ripple 10 %p-p max.)

[5] OPTIONS

blank: none

/Q: With options (specify the specification)

SPECIFICATIONS OF OPTION: Q (multiple selections)

COATING (For the detail, refer to our web site.)

Moving parts and indicators are not coated.

/C01: Silicone coating

/C02: Polyurethane coating

/C03: Rubber coating

TERMINAL SCREW MATERIAL

/S01: Stainless steel

EX-FACTORY SETTING

/SET: Preset according to the Ordering Information Sheet
(No. ESU-9508)

RELATED PRODUCTS

- Connector terminal block (model: CNT)
 - Special cable (model: HDR40)
 - Infrared Communication Adaptor (model: COP-IRU)
 - PC configurator software (model: 47DCFG)
- Downloadable at our web site.

GENERAL SPECIFICATIONS

Construction: Panel flush mounting

Degree of protection: IP66; applicable to the front of the panel meter mounted according to the specified panel cutout

Connection

Input, excitation supply, DC output, relay output, network interface, power: M3 separable screw terminal (torque 0.6 N·m)

Photo MOSFET relay, event trigger input: Euro Type Connector Terminal
(applicable wire size: max. 1.3 dia., 0.5 - 1.25 mm², stripped length 7 - 8 mm)

BCD output: 50-pin connector
(Honda Tsushin Kogyo HDR-EC50LFDT1-SLE+)

Screw terminal: Nickel-plated steel (standard) or stainless steel

Housing material: Flame-resistant resin (gray)

Isolation: Input or excitation supply to DC output to HH output or H output to L output or LL output to network or BCD output or event trigger input to power

Burnout: Upscale standard; downscale optional by programming

Linearization: Standard

Cold junction compensation: CJC sensor attached to the input terminals

Infrared communication: Transmission distance max. 1 meter (for use with the COP-IRU)

Setting: (Front button)

- Input type
- Alarm setpoint
- Hysteresis (deadband)
- Averaging
- Burnout
- Others

(Refer to the instruction manual for details)

Sampling rate: 20 times/sec. (50 msec.)

Averaging: Simple average, moving average or no averaging

Lockout setting: Prohibiting certain operations; protecting settings

DISPLAY

Main display: 5 digits, LCD with LED backlight, 7-segment, 14.2 mm (.56) high

Color: Red or green changeable at alarm

Display range: -9999 to 9999

Decimal point position: 1 decimal place or none

Zero indication: Higher-digit zeros are suppressed.

Sub display: 7 digits, LCD with LED backlight, 7-segment, 5.5 mm (.22) high

Color: Green

Over-range indication: 'S.ERR' (main display) and 'UNDER' or 'OVER' (sub display) blinking when the input signal is out of the usable range.

Burnout indication: 'B.ERR' blinking

Bargraph

No. of LED segments: 20, displayed with divided by 10

Color: Amber

Alarm status indication

All setpoints can be set and indicated regardless of alarm output options. Each is independently set either for Hi or Lo alarm trip.

LL indicator: Turns on in red when the LL alarm is tripped.

L indicator: Turns on in red when the L alarm is tripped.

H indicator: Turns on in green when the H alarm is tripped.

HH indicator: Turns on in green when the HH alarm is tripped.

P indicator: Turns on in amber when none of the other alarms is tripped.

Status indicators: Max, Min

Display max./min. value, Amber LED turns on

Function indicators

Hld: Turns on in green when HOLD signal is ON

TG: Turns on in green when TIMING signal is ON

NG: Turns on in green when a parameter is invalid

Ini: Unused

Alm: Unused

°F: Turns on in green when temperature unit is set to °F

°C: Turns on in green when temperature unit is set to °C

Engineering unit indication: Sticker label attached

DC, AC, mV, V, kV, μ A, mA, A, kA, mW, W, kW, var, kvar, Mvar, VA, Hz, Ω , k Ω , M Ω , cm, mm, m, m/sec, mm/min, cm/min, m/min, m/h, m/s², inch, l, l/s, l/min, l/h, m³, m³/sec, m³/min, m³/h, Nm³/h, N·m, N/m², g, kg, kg/h, N, kN, Pa, kPa, MPa, t, t/h, °C, °F, %RH, J, kJ, MJ, rpm, sec, min, min⁻¹, pH, %, ppm, etc.

EXCITATION SUPPLY

■ +12V SENSOR EXCITATION

Output voltage (across the terminals 5 - 6): 12 - 16 V DC with no load

10.8 V DC minimum at 80 mA

Current rating: 84 mA DC maximum

• Shortcircuit Protection

Current limited: 97 mA maximum

Protected time duration: No limit

■ +24V TWO-WIRE TRANSMITTER EXCITATION

Output voltage (across the terminals 5 - 6): 24 - 28 V DC with no load

22 V DC minimum at 20 mA

Current rating: \leq 22 mA DC

• Shortcircuit Protection

Current limited: 30 mA max.
Protected time duration: No limit

INPUT SPECIFICATIONS

Input resistance: 1 MΩ min.

Burnout sensing: 0.2 μA

Temperature Range

| THERMOCOUPLE | | CONFORMANCE RANGE | USABLE RANGE |
|-----------------------|----|-------------------|-------------------|
| (PR) | °C | 0.0 to 1700.0 | -30.0 to +1730.0 |
| | °F | 32.0 to 3092.0 | -22.0 to +3146.0 |
| K (CA) | °C | -200.0 to +1300.0 | -230.0 to +1330.0 |
| | °F | -328.0 to +2372.0 | -382.0 to +2426.0 |
| K (CA) narrow span | °C | -20.0 to +500.0 | -50.0 to +530.0 |
| | °F | -4.0 to +932.0 | -58.0 to +986.0 |
| E (CRC) | °C | 0.0 to 600.0 | -30.0 to +630.0 |
| | °F | 32.0 to 1112.0 | -22.0 to +1166.0 |
| J (IC) | °C | -100.0 to +850.0 | -130.0 to +880.0 |
| | °F | -148.0 to +1562.0 | -202.0 to +1616.0 |
| J (IC) narrow span | °C | -20.0 to +400.0 | -50.0 to +430.0 |
| | °F | -4.0 to +752.0 | -58.0 to +806.0 |
| T (CC) | °C | -200.0 to +400.0 | -230.0 to +430.0 |
| | °F | -328.0 to +752.0 | -382.0 to +806.0 |
| B (RH) | °C | 400.0 to 1800.0 | 70.0 to 1830.0 |
| | °F | 752.0 to 3272.0 | 158.0 to 3326.0 |
| R | °C | 0.0 to 1700.0 | -30.0 to +1730.0 |
| | °F | 32.0 to 3092.0 | -22.0 to +3146.0 |
| S | °C | 0.0 to 1700.0 | -30.0 to +1730.0 |
| | °F | 32.0 to 3092.0 | -22.0 to +3146.0 |
| C (WRe 5-26) | °C | 0.0 to 2300.0 | -30.0 to +2330.0 |
| | °F | 32.0 to 4192.0 | -22.0 to +4226.0 |
| N | °C | -200.0 to +1300.0 | -230.0 to +1330.0 |
| | °F | -328.0 to +2372.0 | -382.0 to +2426.0 |
| U | °C | -200.0 to +400.0 | -230.0 to +430.0 |
| | °F | -328.0 to +752.0 | -382.0 to +806.0 |
| L | °C | -100.0 to +850.0 | -130.0 to +880.0 |
| | °F | -148.0 to +1562.0 | -202.0 to +1616.0 |

DC OUTPUT SIGNAL SPECIFICATIONS

VOLTAGE OUTPUT

| TYPE ID | OUTPUT RANGE | OPERATIONAL RANGE | LOAD RESISTANCE |
|---------|--------------|-------------------|-----------------|
| 0-5V | 0 – 5V | -0.5 – +5.5V | 2000Ω minimum |
| 5V | ±5V | -6 – +6V | 4000Ω minimum |
| 10V | ±10V | -12 – +12V | 8000Ω minimum |

CURRENT OUTPUT

| TYPE ID | OUTPUT RANGE | OPERATIONAL RANGE | LOAD RESISTANCE |
|---------|--------------|-------------------|-----------------|
| 0-20mA | 0 – 20mA | -2 – +22mA | 400Ω maximum |
| 4-20mA | 4 – 20mA | 2.4 – 21.6mA | 400Ω maximum |

I/O OPTIONS

■ **Event Trigger Input:** Dry contact or NPN open collector

Input current: ≤ 3 mA

Sensing: 6 V

Contact detecting: ≤ 1.5 V at ON; ≥ 3 V at OFF

Signal ID and Details

S_TMR: Startup Timer

Measuring starts in the predetermined time after detecting the signal turning on.

TIMING: Timing

Used for various timing hold functions

ZERO: Forced Zero

Not used

HOLD: Hold data

Reading measured signal stops and the last value is held when HOLD signal is turned on.

RESET: Reset data

The device is reset when RESET signal is turned on.

■ **Alarm Output:** Relay contact

Rated load: 250 V AC @ 3 A (cos φ = 1)

30 V DC @ 3 A (resistive load)

Maximum switching voltage: 250 V AC, 30 V DC

Maximum switching power: 750 VA, 90 W (resistive load)

Minimum load: 5 V DC @ 10 mA

Mechanical life: ≥ 5 × 10⁶ cycles (rate 180 cycles/min.)

■ **Alarm Output:** Photo MOSFET relay

Rated load: 120 V AC/DC @ 80 mA (resistive load)

ON resistance: 25 Ω

Permissible loss: 250 mW

■ **Network Interface**

Transmission: Half-duplex, asynchronous, no procedure

Interface: Conforms to TIA/EIA-485-A

Max. transmission distance: 500 meters

Baud rate: 1.2 – 38.4 kbps

Max. number of nodes: 31 (except the master)

Protocol: Modbus RTU

Parity: None, odd or even

Stop bit: 1 bit, 2 bits

Node address: 1 to 247

Media: Shielded twisted-pair cable (CPEV-S 0.9 dia.)

Terminating resistor: Built-in (Connect across T2 - T3, when the unit is the end of the line)

■ **BCD Output + Control Signals**

• **Input Signals:** Dry contact or NPN open collector

Input current: ≤ 3 mA

Sensing: 6 V

Contact detecting: ≤ 1.5 V at ON; ≥ 3 V at OFF

Signal ID and Details

REQ: Request BCD data

Valid data in approx. 30 msec. after detecting the signal's rising edge

MIN_REQ: Request Minimum reading data
Valid data in approx. 30 msec. after detecting the signal's rising edge

MAX_REQ: Request Maximum reading data
Valid data in approx. 30 msec. after detecting the signal's rising edge

HOLD: Hold data
Reading measured signal stops and the last value is held when HOLD signal is turned on.

RESET: Reset data
All BCD data turn off when RESET signal is turned on.

- **Output Signals:** NPN open collector

Max. load voltage: 24 V DC

Max. load current: 10 mA

Saturation voltage: ≤ 0.3 V DC

Leakage current: ≤ 500 μ A

Signal ID and Details

DATA (Do 11...Do 68): BCD output data in 6 digits
Do 1x = LSD ... Do 6x = 6th LSD

POL: BCD Polarity

ON = (-), OFF = (+)

OVF: BCD Overflow/underflow

Output given at overflow or underflow

DAV: Data Valid

ON = valid, OFF = invalid

RUN: Run

Means the meter is functioning.

ON = Measuring or testing mode

OFF = Error except overflow/underflow

No DAV or DATA output is given when

RUN signal is not provided.

- **Alarm Output Signals:** NPN open collector

Max. load voltage: 24 V DC

Max. load current: 50 mA

Saturation voltage: ≤ 1.1 V

Leakage current: ≤ 500 μ A

Signal ID and Details

HH: HH alarm trip output

H: H alarm trip output

PASS: PASS zone output

L: L alarm trip output

LL: LL alarm trip output

PERFORMANCE in percentage of max. span

Accuracy

Display:

$\pm 0.8^{\circ}\text{C}$ (or $\pm 1.5^{\circ}\text{F}$) ± 1 digit (PR, K*, E, J, T*, U, L)

* $\pm 1.8^{\circ}\text{C}$ (or $\pm 3.3^{\circ}\text{F}$) ± 1 digit at $\leq -100^{\circ}\text{C}$ or -148°F (K, T)

$\pm 1.2^{\circ}\text{C}$ (or $\pm 2.2^{\circ}\text{F}$) ± 1 digit (S, C)

$\pm 1.8^{\circ}\text{C}$ (or $\pm 3.3^{\circ}\text{F}$) ± 1 digit (B, R, N)

Output: ± 0.1 % (DC output = display + output)

Cold junction compensation error:

$\pm 2^{\circ}\text{C}$ maximum at $25 \pm 10^{\circ}\text{C}$

$\pm 3.6^{\circ}\text{F}$ maximum at $77 \pm 18^{\circ}\text{F}$

Temp. coefficient: ± 0.015 %/ $^{\circ}\text{C}$ (± 0.008 %/ $^{\circ}\text{F}$)

Input resolution: Max. 19 bits

Output resolution: Max. 14 bits

Response time: ≤ 0.5 sec.

(alarm output: 0 - 100 % at 90 % setpoint)

≤ 0.5 sec. (DC output: 0 - 90 %)

Burnout response: ≤ 5 sec.

Line voltage effect: ± 0.1 % over voltage range

Insulation resistance: ≥ 100 M Ω with 500 V DC

Dielectric strength: 2000 V AC @ 1 minute

(input or excitation supply to DC output to HH output or H output to L output or LL output to network or BCD output or event trigger input to power to ground)

INSTALLATION

Power consumption

- **AC:** Max. 12 VA

- **DC:** ≤ 3.5 W

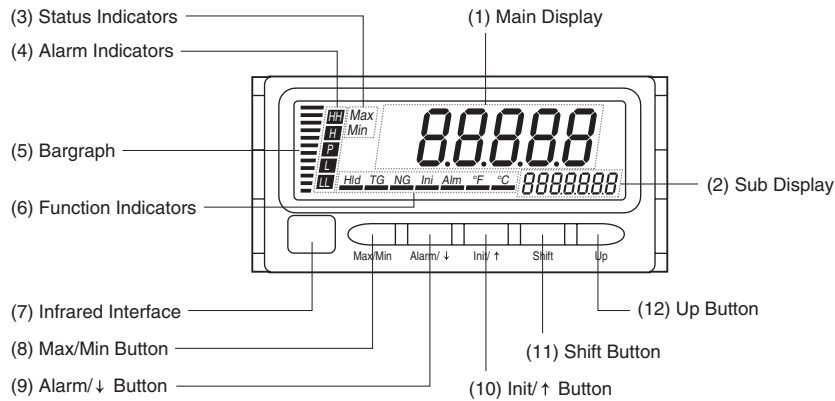
Operating temperature: -10 to $+55^{\circ}\text{C}$ (14 to 131°F)

Operating humidity: 30 to 90 %RH (non-condensing)

Mounting: Panel flush mounting

Weight: 300 g (0.66 lb)

EXTERNAL VIEW

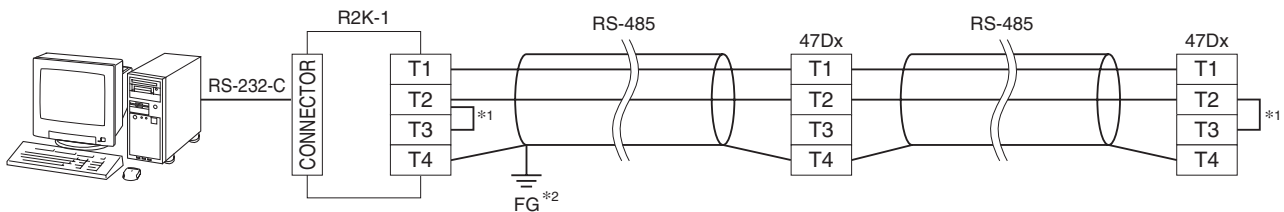


• COMPONENT IDENTIFICATION

| No. | COMPONENT | FUNCTION |
|------|---------------------|----------------------------------------------------------------------------------------------------------------------------------------------|
| (1) | Main display | Indicates present values, setting values and status of the unit. |
| (2) | Sub display | Indicates the present setting mode. |
| (3) | Status indicators | Indicate Max/Min display mode. |
| (4) | Alarm indicators | Indicate alarm status of the input signal. |
| (5) | Bargraph | Indicates present signal level against the temperature range. |
| (6) | Function indicators | Indicate the device status. |
| (7) | Infrared interface | Used for the infrared communication. |
| (8) | Max/Min button | Used to switch the main display to show present values, maximum values or minimum values etc. |
| (9) | Alarm/↓ button | Used to confirm alarm setpoints and to move on to the alarm and other setting modes; or to shift through setting items in each setting mode. |
| (10) | Init/↑ button | Used to move on to the initial and other setting modes; or to shift through setting items in each setting mode. |
| (11) | Shift button | Used to move on to the setting standby status and shift through display digits in each setting item. |
| (12) | Up button | Used to change setting values. |

Note: Refer to the operating manual for details on each function.

COMMUNICATION CABLE CONNECTIONS

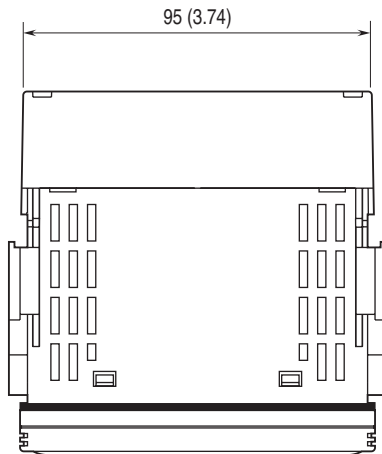


*1. Internal terminating resistor is used when the device is at the end of a transmission line.

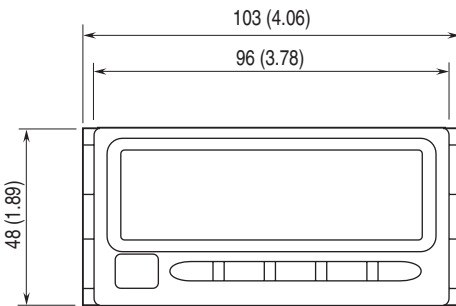
*2. Install shield cables to all sections and ground them at single point.

EXTERNAL DIMENSIONS & TERMINAL ASSIGNMENTS unit: mm [inch]

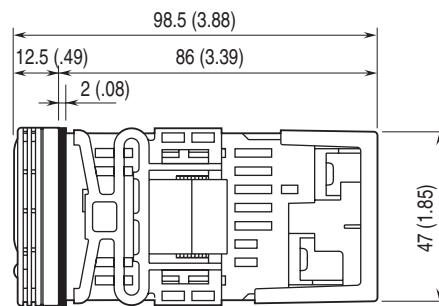
■ TOP VIEW



■ FRONT VIEW

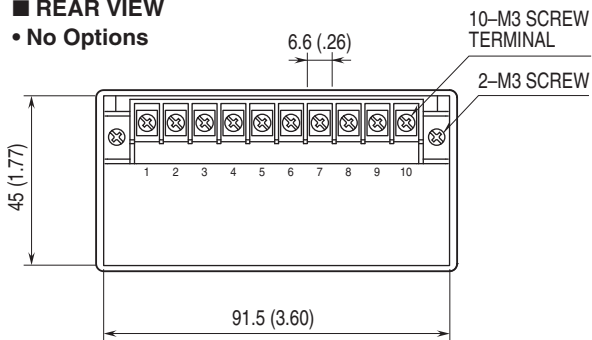


■ SIDE VIEW

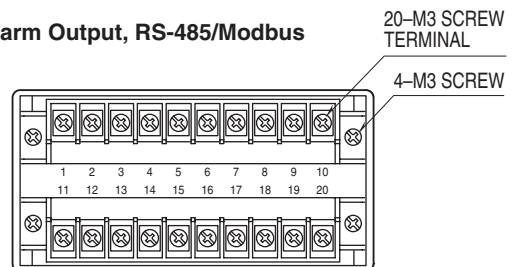


■ REAR VIEW

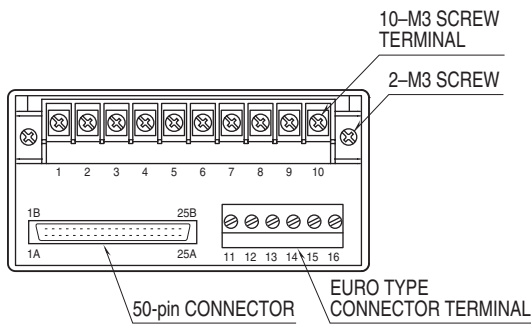
• No Options



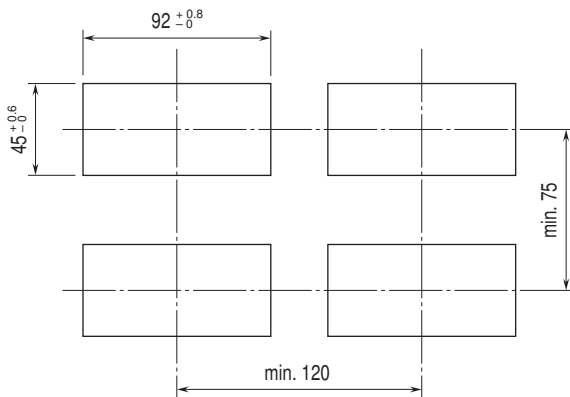
• Alarm Output, RS-485/Modbus



• BCD Output, Event Trigger Input, Alarm Output (Photo MOSFET Relay)



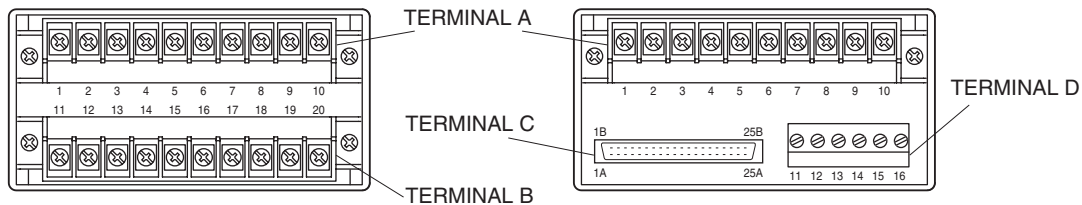
MOUNTING REQUIREMENTS unit: mm



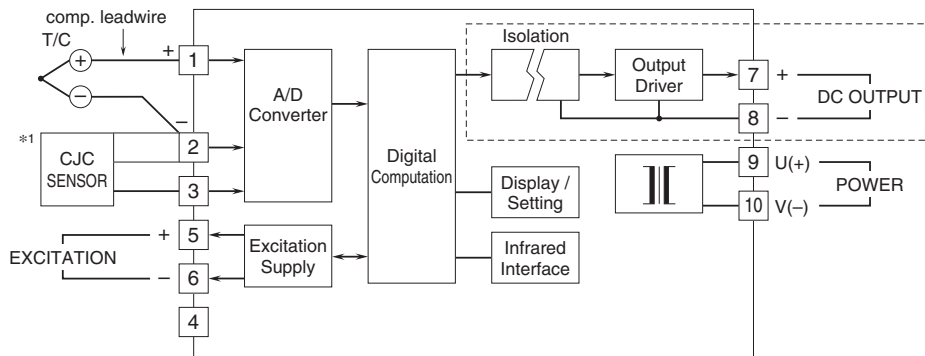
Panel thickness: 1.6 to 8.0 mm

SCHEMATIC CIRCUITRY & CONNECTION DIAGRAM

REAR TERMINAL ASSIGNMENTS



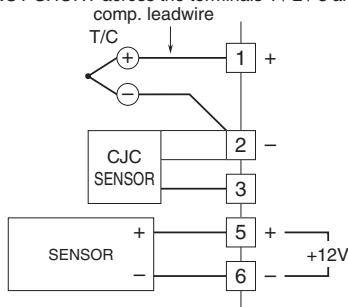
TERMINAL A : BASIC



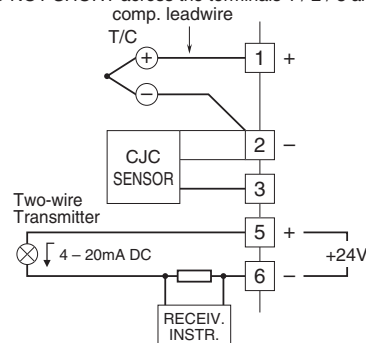
*1. Attach the CJC sensor regardless of setting for cold junction compensation.
 If CJC sensor is removed out of necessity, be sure to short between the terminal 2 and 3.
 Note: The section enclosed by broken line is only with DC output option.

Excitation Supply Connection Examples

+12V Sensor Excitation
 Max. 80mA is allowed on the sensor excitation loop.
 The excitation is Not isolated from the thermocouple input.
 DO NOT SHORT across the terminals 1 / 2 / 3 and 5 / 6.

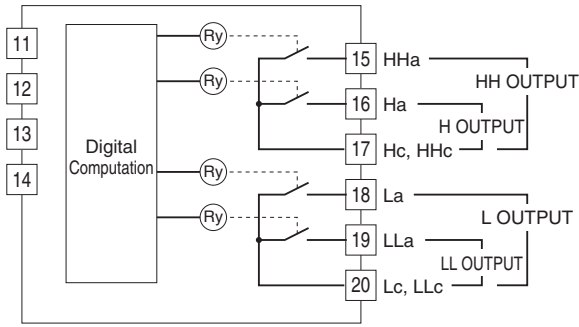


+24V Two-wire Transmitter Excitation
 The excitation supply can be used to power a two-wire transmitter.
 The excitation is Not isolated from the thermocouple input.
 DO NOT SHORT across the terminals 1 / 2 / 3 and 5 / 6.

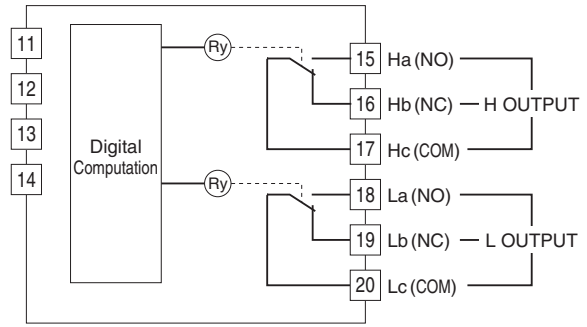


■ TERMINAL B

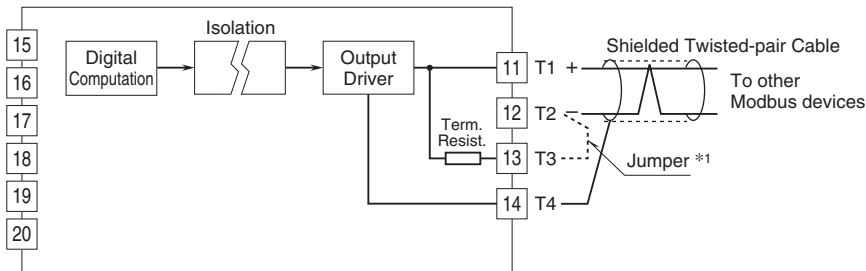
• Alarm Output : N.O. contact, 4 points



• Alarm Output : SPDT contact, 2 points



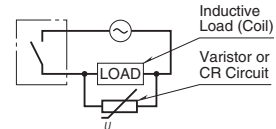
• RS-485 / Modbus RTU



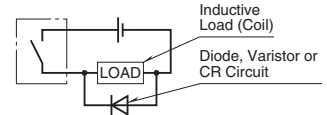
*1. When the device is located at the end of a transmission line via twisted-pair cable (when there is no cross-wiring), close across the terminal 12 – 13 with a leadwire. When the device is not at the end, no shortcircuit wire is required.

■ Relay Protection

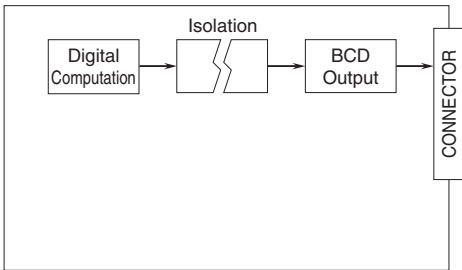
• AC Powered



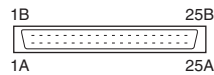
• DC Powered



■ TERMINAL C : BCD OUTPUT

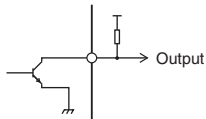


• Connector Pin Assignment



| PIN NO. | ASSIGNMENT | PIN NO. | ASSIGNMENT |
|---------|------------|---------|------------|
| 1A | COM | 1B | Do 38 |
| 2A | COM | 2B | COM |
| 3A | LL | 3B | Do 34 |
| 4A | L | 4B | COM |
| 5A | PASS | 5B | Do 32 |
| 6A | H | 6B | COM |
| 7A | HH | 7B | Do 31 |
| 8A | POL | 8B | COM |
| 9A | RESET | 9B | Do 28 |
| 10A | HOID | 10B | COM |
| 11A | MIN_REQ | 11B | Do 24 |
| 12A | MAX_REQ | 12B | COM |
| 13A | REQ | 13B | Do 22 |
| 14A | COM | 14B | COM |
| 15A | RUN | 15B | Do 21 |
| 16A | DAV | 16B | Do 68 |
| 17A | OVF | 17B | Do 18 |
| 18A | Do 58 | 18B | Do 64 |
| 19A | Do 54 | 19B | Do 14 |
| 20A | Do 52 | 20B | Do 62 |
| 21A | Do 51 | 21B | Do 12 |
| 22A | Do 48 | 22B | Do 61 |
| 23A | Do 44 | 23B | Do 11 |
| 24A | Do 42 | 24B | COM |
| 25A | Do 41 | 25B | COM |

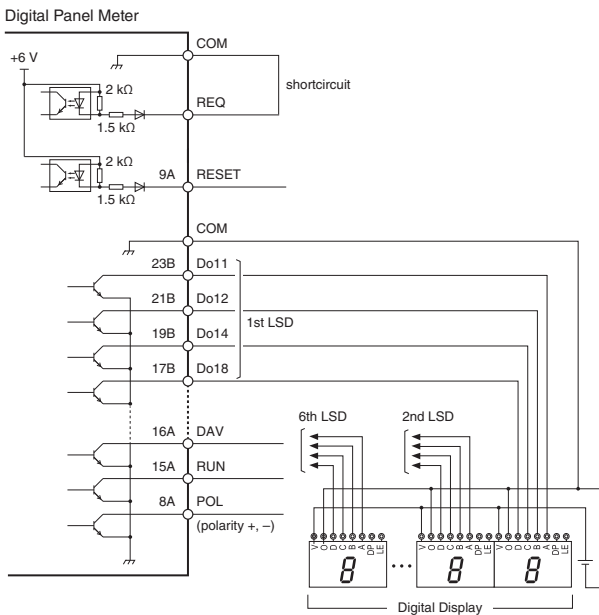
• Open collector



• Output Logic

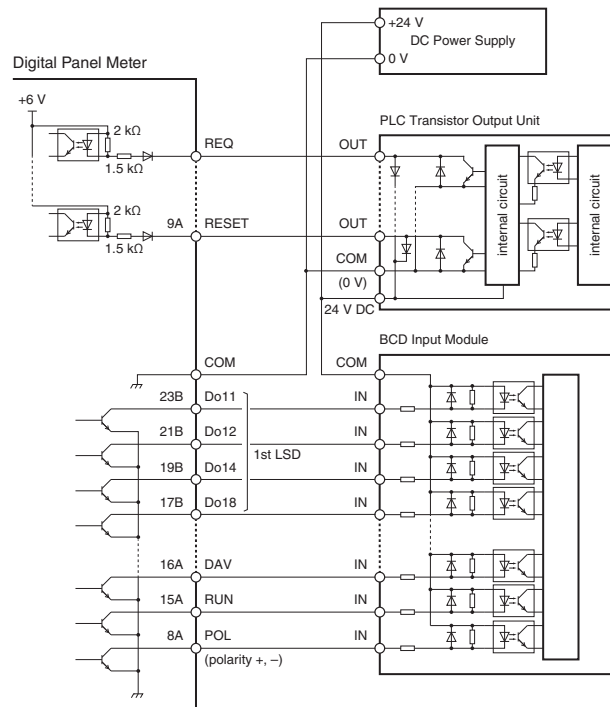
| Voltage Level at ON | Output Logic |
|---------------------|--------------|
| Hi | Positive |
| Lo | Negative |

• Connected to a digital display (example)



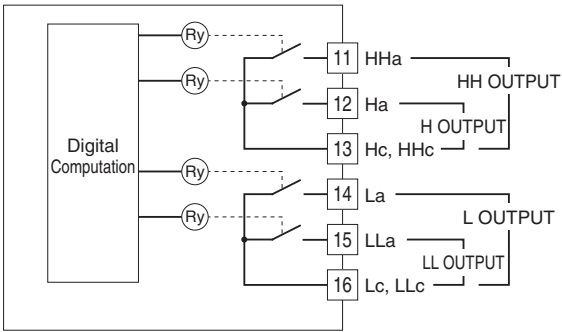
Use Special cable (model: HDR40) and Connector Terminal Block (model: CNT).
Refer to the cable's data sheet for pin assignments.

• Connected to a PLC (example)

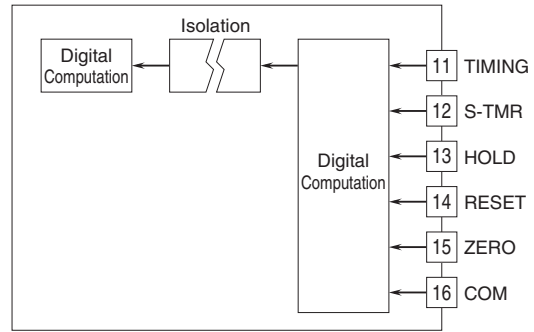


■ TERMINAL D

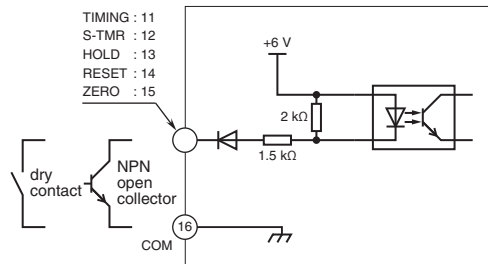
• Alarm Output : Photo MOSFET Relay N.O. contact, 4 points



• Event Trigger Input



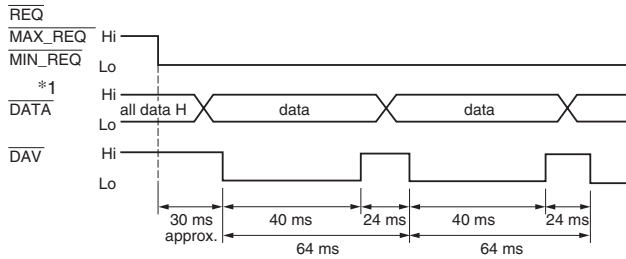
Connection Example



BCD OUTPUT TIMING CHART

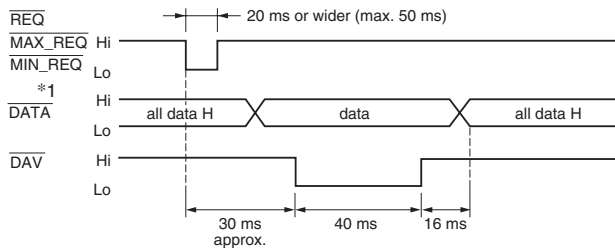
Request signals (REQ, MAX_REQ, MIN_REQ) from an external device (e.g. PLC) are required in order to read out BCD data. All signals in the following charts are in the negative logic (ON at LOW signal, as factory set).

• Timing Chart for Continuous Data Output



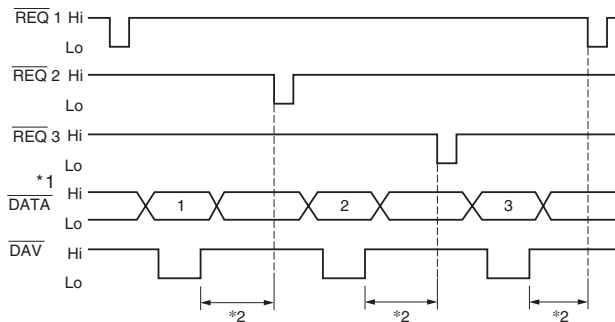
Measured data is output every 64 ms while one of REQ signals (REQ, MAX_REQ or MIN_REQ) remains ON. For Event trigger modes, the data value is the same as the display.

• Timing Chart for Single Sampling Cycle Data Output



When one of REQ signals (REQ, MAX_REQ or MIN_REQ) is given and its width is between 20 and 50 ms, DATA is established and DAV output is given in approx. 30 ms from the falling edge of the REQ signal. Read in the data to a PLC at the timing of the DAV output signal. DAV is turned off in 40 ms. DATA is turned off in 16 ms after that.

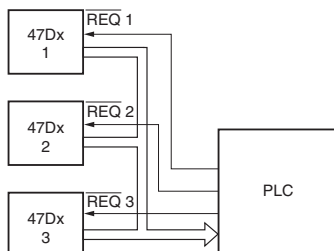
• Output is provided via open collector, enabling wired-OR gate configuration



When DATA output logic is negative, wired-OR connection is available for BCD data, POL, OVF, HH, H, P, L and LL signals.

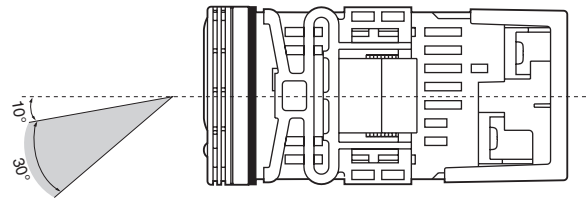
*1. DATA includes BCD Output, POL, OVF, HH, H, P, L, LL and RUN.

*2. Wait for at least 20 ms between DAV turning off and the next REQ signal.



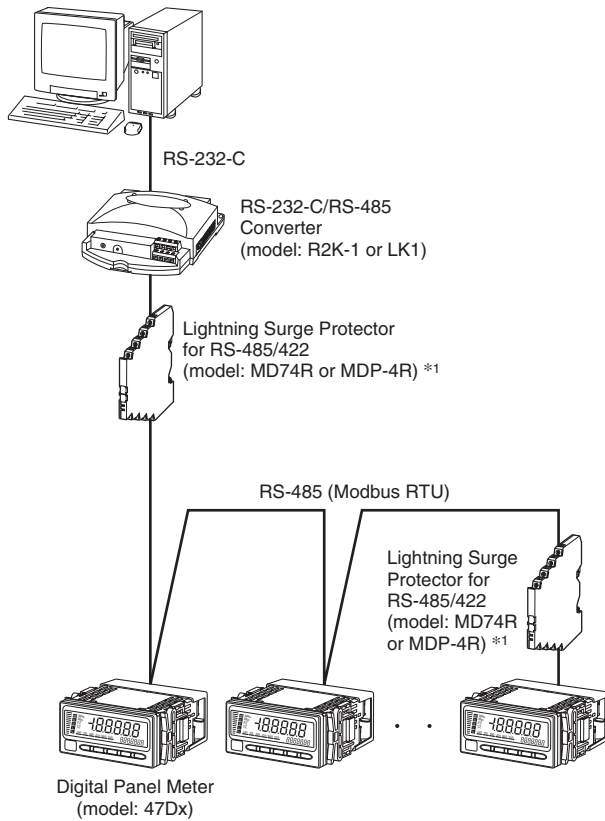
VIEWING ANGLE

The display is designed to provide the optimal legibility when viewed from the angles as shown below.

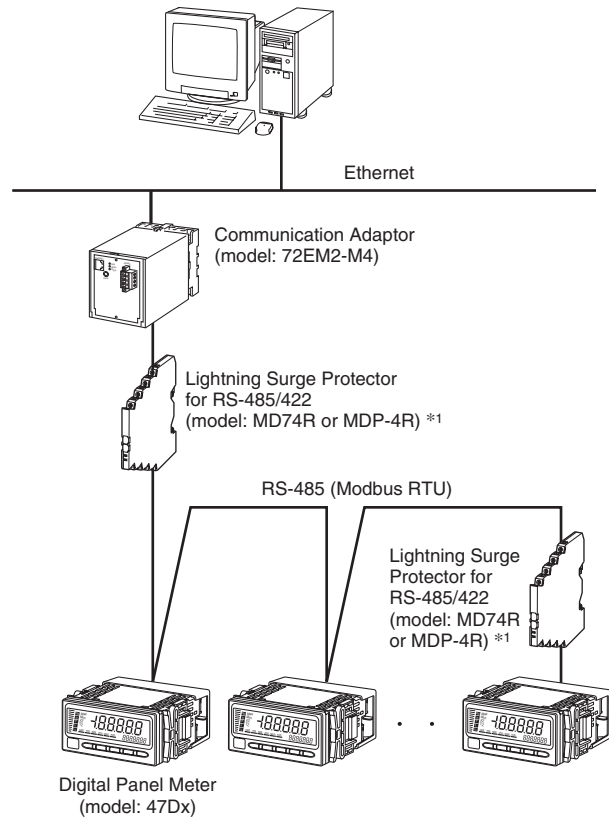


SYSTEM CONFIGURATION EXAMPLES

■ RS-485 / RS-232-C



■ RS-485 / ETHERNET



*1. Insert lightning surge protectors recommended in this example if necessary.



Specifications are subject to change without notice.