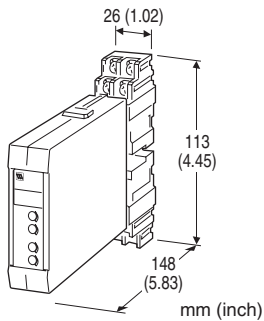


Dual Channel Input/Output Isolators 5-UNIT

ISOLATOR

Functions & Features

- Accepting standard and non-standard process signals and providing an isolated 1 - 5 V DC
- 2 channels available on the common output and power negative
- Economical and space-saving multi-input processing



MODEL: 5VS-[1]6-R

ORDERING INFORMATION

- Code number: 5VS-[1]6-R
- Specify a code from below for [1].
(e.g. 5VS-66-R)
- Special input range (For code 0)

[1] INPUT

Voltage

- 1: 0 - 10 mV DC (Input resistance 10 kΩ min.)
- 2: 0 - 100 mV DC (Input resistance 100 kΩ min.)
- 3: 0 - 1 V DC (Input resistance 1 MΩ min.)
- 4: 0 - 10 V DC (Input resistance 1 MΩ min.)
- 5: 0 - 5 V DC (Input resistance 1 MΩ min.)
- 6: 1 - 5 V DC (Input resistance 1 MΩ min.)
- 0: Specify voltage (See INPUT SPECIFICATIONS)
(0 % input must be 0 V.)

OUTPUT

Voltage

- 6: 1 - 5 V DC (Load resistance 10 kΩ min.)

POWER INPUT

DC Power

R: 24 V DC

(Operational voltage range 24 V ±10 %, ripple 10 %p-p max.)

GENERAL SPECIFICATIONS

Construction: Plug-in

Connection: M3.5 screw terminals (torque 0.8 N·m)

Screw terminal: Nickel-plated steel

Housing material: Flame-resistant resin (black)

Isolation: Input to output or power; ch.1 input to ch.2 input

Zero adjustment: -5 to +5 % (front)

Span adjustment: 95 to 105 % (front)

INPUT SPECIFICATIONS

■ INPUT

• **DC Voltage:** 0 - 300 V DC

Minimum span: 3 mV

Input resistance

Span 3 - 10 mV : ≥ 10 kΩ

Span 10 - 100 mV : ≥ 10 kΩ

Span 0.1 - 1V : ≥ 100 kΩ

Span ≥ 1 V : ≥ 1 MΩ

INSTALLATION

Current consumption: 15 mA max.

Operating temperature: -5 to +60°C (23 to 140°F)

Operating humidity: 30 to 90 %RH (non-condensing)

Mounting: Surface or DIN rail; Standard Rack Mounting

Frame BX-16H available

Weight: 200 g (0.44 lb)

PERFORMANCE in percentage of span

Accuracy: ±0.1 %

Temp. coefficient: ±0.015 %/°C (±0.008 %/°F)

Response time: ≤ 0.5 sec. (0 - 90 %)

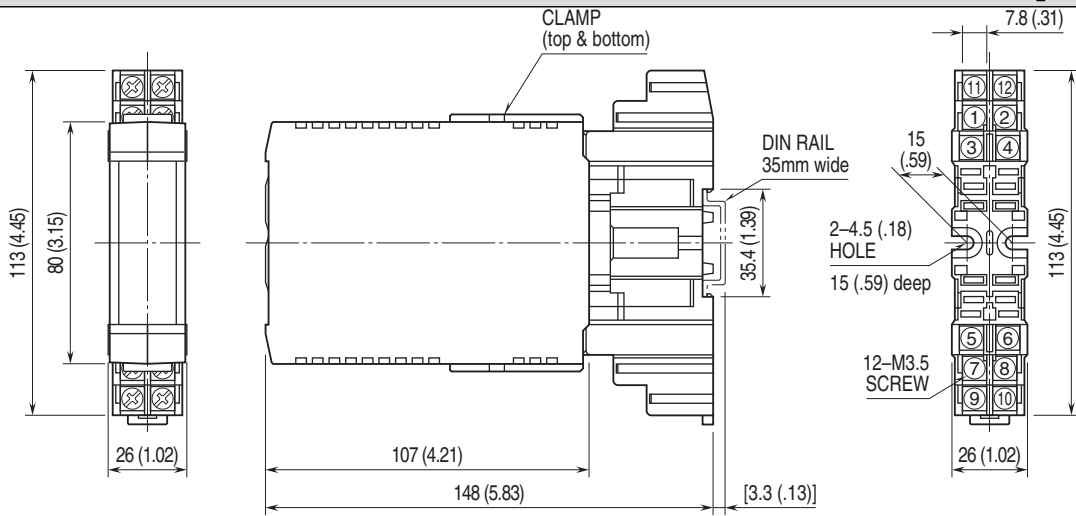
Line voltage effect: ±0.1 % over voltage range

Insulation resistance: ≥ 100 MΩ with 500 V DC

Dielectric strength: 500 V AC @ 1 minute (ch.1 input to ch.2 input to output or power)

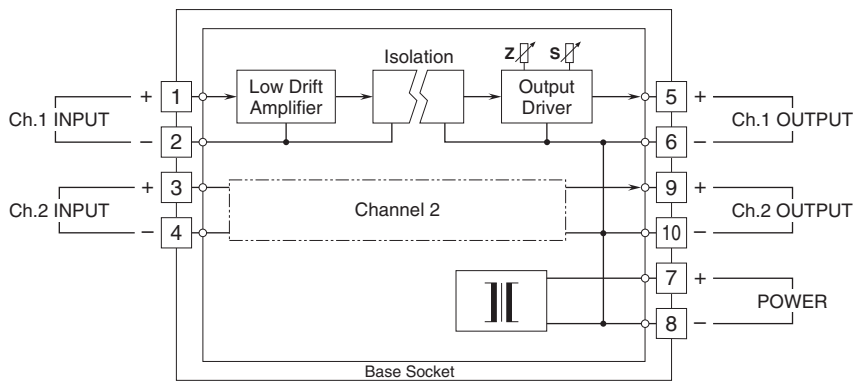
1500 V AC @1 minute (ch.1 input or ch.2 input or output or power to ground)

EXTERNAL DIMENSIONS & TERMINAL ASSIGNMENTS unit: mm [inch]



•When mounting, no extra space is needed between units.

SCHEMATIC CIRCUITRY & CONNECTION DIAGRAM



Specifications are subject to change without notice.