

Field-mounted Two-wire Signal Conditioners 6-UNIT

When using in combination with outdoor enclosure (model: 6BX-E), use a spring clip (model: A-02).

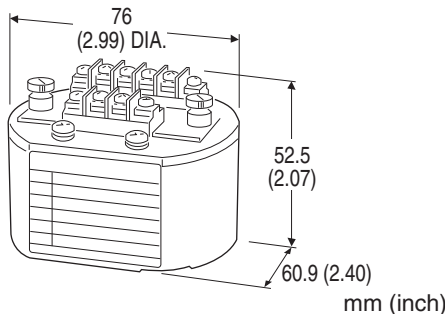
STRAIN GAUGE TRANSMITTER

Functions & Features

- Used in conjunction with bridge type strain gauges utilized in load cells, pressure transducers, etc.
- Supplying the required excitation voltage and providing appropriate DC output signal
- Rugged enclosure

Typical Applications

- Weighing system for tanks, hoppers, silos
- Weighing system using cranes
- Float level meter utilizing strain gauges



MODEL: 6LC-2

ORDERING INFORMATION

- Code number: 6LC-2
- Mounting adapter (e.g. surface mounting adapter plate, model: A-01)

Note: When a mounting adapter is required, specify mounting adapter. Not included without specifying.

INPUT STRAIN GAUGE

2: 2 mV/V

RELATED PRODUCTS

- Outdoor enclosure (model: 6BX-E)

PACKAGE INCLUDES...

- Mounting adapter
 - surface mounting adapter plate (model: A-01)
 - Spring clip (model: A-02)
 - DIN rail mounting plate (model: A-31)

Note: When a mounting adapter is required, specify mounting adapter. Not included without specifying.

GENERAL SPECIFICATIONS

Connection: M3 screw terminals (torque 0.6 N·m)

Screw terminal: Nickel-plated steel

Housing material: Diecast aluminum

Zero adjustment: 0 - 80 % (behind the access cover)

Span adjustment: 100 - 20 % (behind the access cover)

INPUT SPECIFICATIONS

Input: Bridge voltage from load cells

Rated output from strain gauge: 2 mV/V

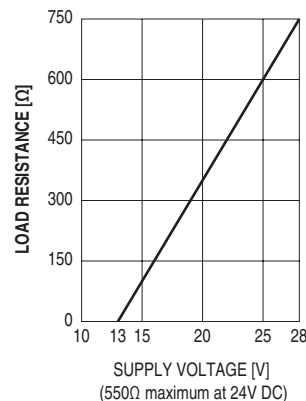
Nominal bridge resistance: 350 Ω minimum

Excitation: 5 V voltage pulse

OUTPUT SPECIFICATIONS

Output: 4 - 20 mA DC

Load resistance vs. supply voltage: Load Resistance (Ω) = (Supply Voltage (V) - 13 (V)) ÷ 0.02 (A) (including leadwire resistance)



INSTALLATION

Supply voltage: 13 - 28 V DC

Operating temperature: -5 to +70°C (23 to 158°F)

Operating humidity: 30 to 90 %RH (non-condensing)

Mounting: DIN rail with mounting plate A-31; surface mounting with adapter plate A-01; spring clip A-02 for 3-inch hub

Weight: 220 g (0.49 lb)

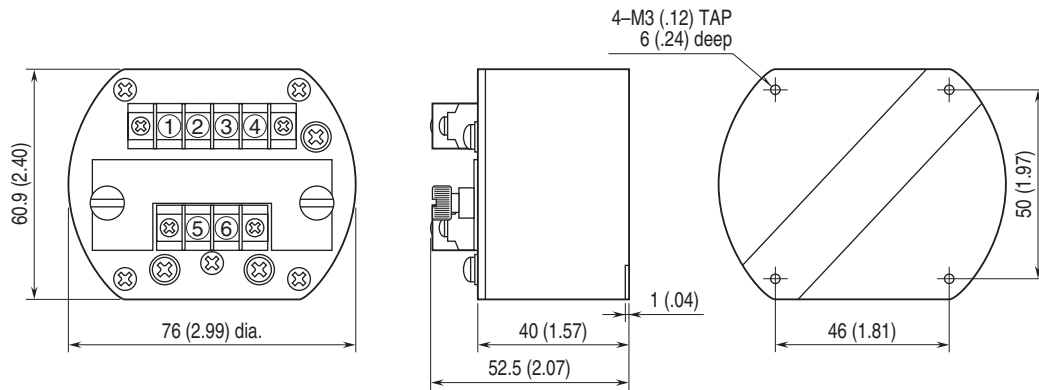
PERFORMANCE in percentage of span

Accuracy: ±0.2 %

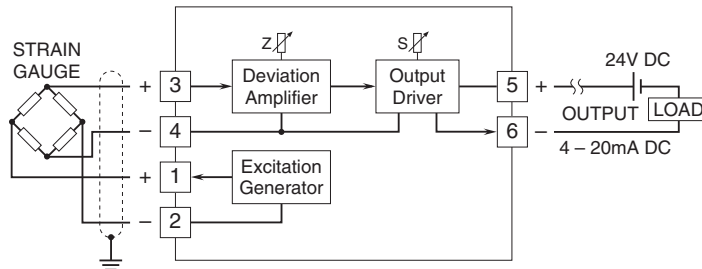
Temp. coefficient: ±0.02 %/°C (±0.01 %/°F)

Response time: ≤ 0.5 sec. (0 - 90 %)

EXTERNAL DIMENSIONS & TERMINAL ASSIGNMENTS unit: mm [inch]



SCHEMATIC CIRCUITRY & CONNECTION DIAGRAM



Specifications are subject to change without notice.