

Field-mounted Two-wire Signal Conditioners 6-UNIT

PT TRANSMITTER

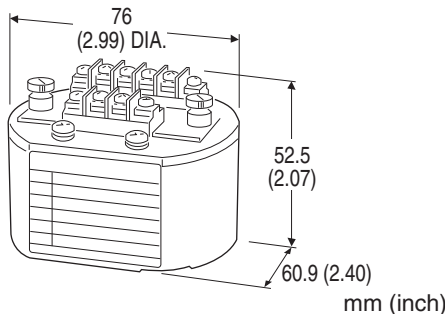
(RMS sensing)

Functions & Features

- Converting an alternating voltage from a potential (voltage) transformer into an isolated 4 - 20 mA DC signal
- Minimal ripple
- Rugged enclosure

Typical Applications

- Centralized monitoring and control of power line and power supply voltages measured at switch boards
- Monitoring abnormal voltage drops for detecting overload



MODEL: 6PT-[1]

ORDERING INFORMATION

- Code number: 6PT-[1]
- Specify a code from below for [1].
(e.g. 6PT-1)
- Mounting adapter (e.g. surface mounting adapter plate, model: A-01)
- Note: When a mounting adapter is required, specify mounting adapter. Not included without specifying.

[1] INPUT

Voltage

- 1: 0 - 110 V AC
- 5: 0 - 150 V AC

RELATED PRODUCTS

- Outdoor enclosure (model: 6BX-E)

PACKAGE INCLUDES...

- Mounting adapter
surface mounting adapter plate (model: A-01)
Spring clip (model: A-02)

DIN rail mounting plate (model: A-31)

Note: When a mounting adapter is required, specify mounting adapter. Not included without specifying.
When using in combination with outdoor enclosure (model: 6BX-E), use a spring clip (model: A-02).

GENERAL SPECIFICATIONS

Connection: M3 screw terminals (torque 0.6 N·m)

Screw terminal: Nickel-plated steel

Housing material: Diecast aluminum

Isolation: Input to output

Input waveform: Up to 15 % of 3rd harmonic content

Zero adjustment: -5 to +5 % (behind the access cover)

Span adjustment: 95 to 105 % (behind the access cover)

INPUT SPECIFICATIONS

Frequency: 50 or 60 Hz

Input burden: 0.5 VA max.

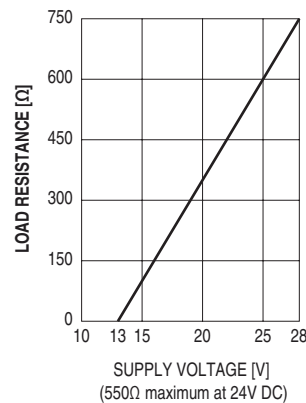
Overload capacity: 200 % of rating for 1 minute, 120 % continuous

Operational range: 0 - 120 % of rating

OUTPUT SPECIFICATIONS

Output: 4 - 20 mA DC

Load resistance vs. supply voltage: Load Resistance (Ω) =
(Supply Voltage (V) - 13 (V)) \div 0.02 (A)
(including leadwire resistance)



INSTALLATION

Supply voltage: 13 - 28 V DC

Operating temperature: -5 to +70°C (23 to 158°F)

Operating humidity: 30 to 90 %RH (non-condensing)

Mounting: DIN rail with mounting plate A-31; surface mounting with adapter plate A-01; spring clip A-02 for 3-inch hub

Weight: 220 g (0.49 lb)

PERFORMANCE in percentage of span

Accuracy: $\pm 0.3\%$

Temp. coefficient: $\pm 0.03\%/^{\circ}\text{C}$ ($\pm 0.02\%/^{\circ}\text{F}$)

Response time: ≤ 0.5 sec. (0 - 90 %)

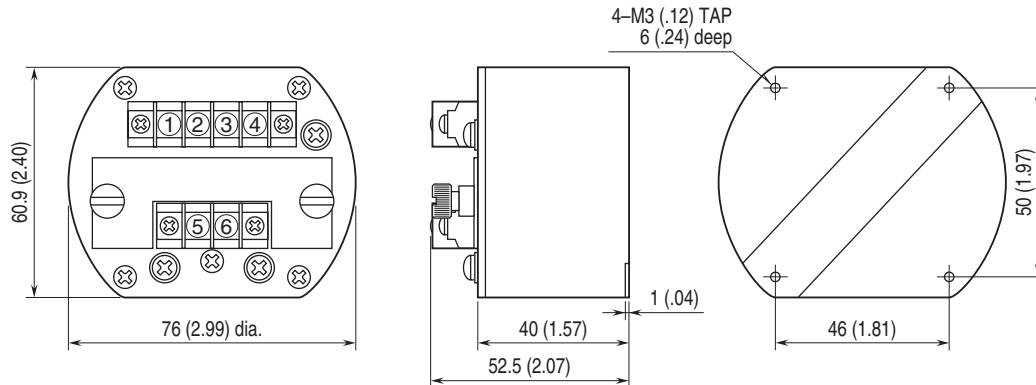
Ripple: 0.5 %p-p max. (100/120 Hz)

Insulation resistance: $\geq 100\text{ M}\Omega$ with 500 V DC

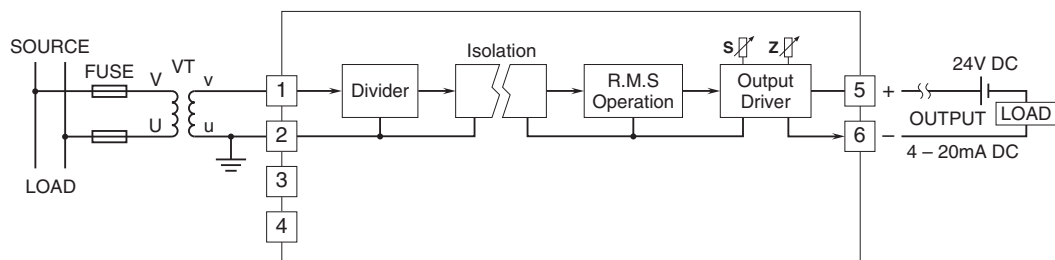
Dielectric strength: 2000 V AC @ 1 minute (input to output)

1500 V AC @ 1 minute (input or output to ground)

EXTERNAL DIMENSIONS & TERMINAL ASSIGNMENTS unit: mm [inch]



SCHEMATIC CIRCUITRY & CONNECTION DIAGRAM



Specifications are subject to change without notice.