
DIN RAIL MOUNTING ADAPTER

Functions & Features

- Used to mount Field-mount Transmitters B6-UNIT, 26-UNIT and 27-UNIT to a DIN rail with or without the 6DV Loop-powered Indicator
- Tightened with screws on the adapter using the transmitters' mounting holes

MODEL: A-34[1]

ORDERING INFORMATION

- Code number: A-34[1]

Specify a code from below for [1].

(e.g. A-34/276)

[1] OPTIONS

blank: B6U

/26: 26-UNIT (except 26R or 26FR)

/27: 27-UNIT

/6DV: 6DV

/266: 26-UNIT (except 26R or 26FR) + 6DV

/276: 27-UNIT + 6DV

GENERAL SPECIFICATIONS

Mounting screw: M4 screw attached

Wire: Attached to the options /266 and /276

Material: Flame-resistant resin

INSTALLATION

Operating temperature: -40 to +85°C (-40 to +185°F)

(within the limit of the operating temperature for the transmitter/indicator)

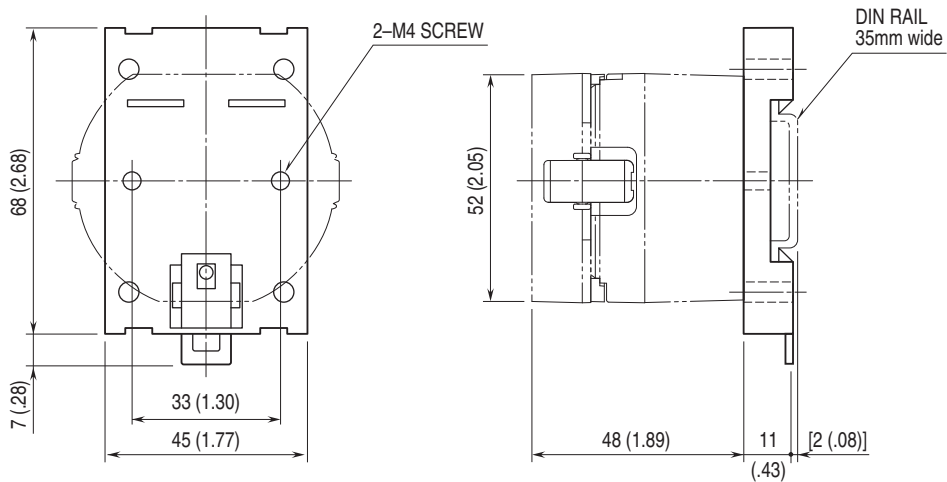
Operating humidity: 0 to 95 %RH (non-condensing)

Weight: 30 g (1.1 oz)

EXTERNAL DIMENSIONS unit: mm [inch]

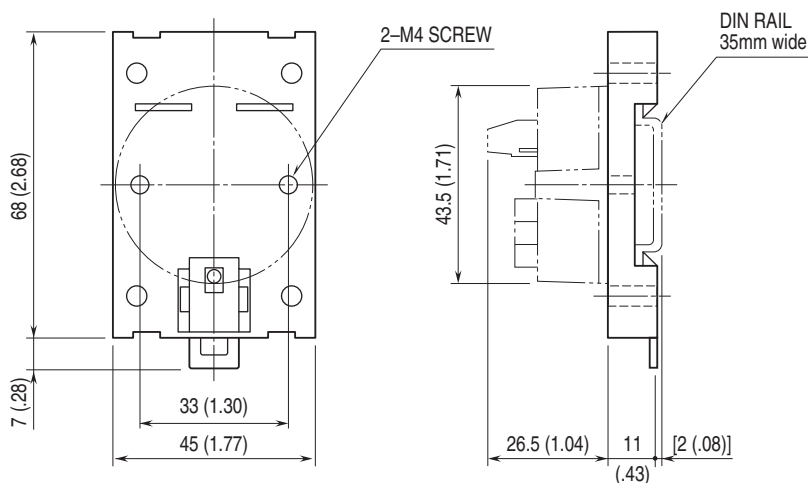
Adjust positions of the screws to attach the DIN rail to the wall surface so that they do not interfere with the screws to attach the transmitter/indicator to the adapter.

■ MOUNTING MODEL B6U TO DIN RAIL (model: A-34)

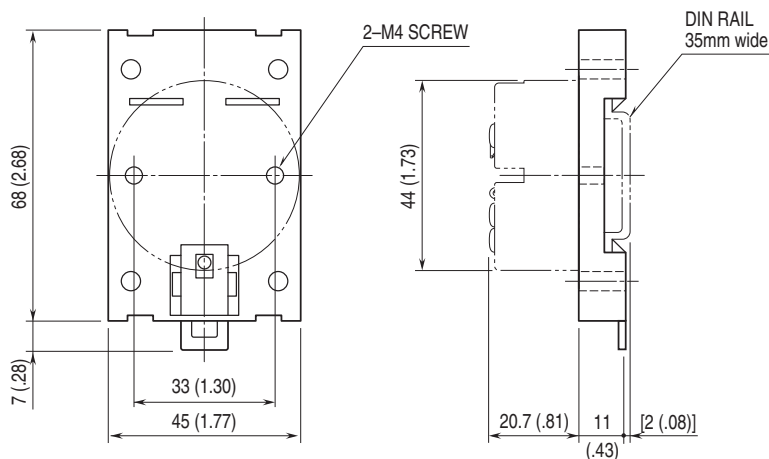


Leave enough space at both sides of the module to reach the side levers when installing/removing the LCD module.

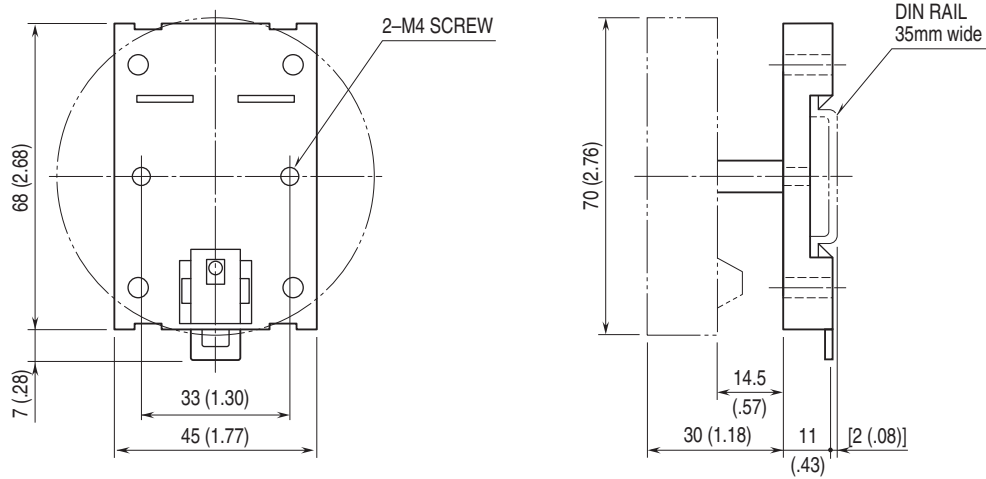
■ MOUNTING THE 26-UNIT TO DIN RAIL (model: A-34/26)



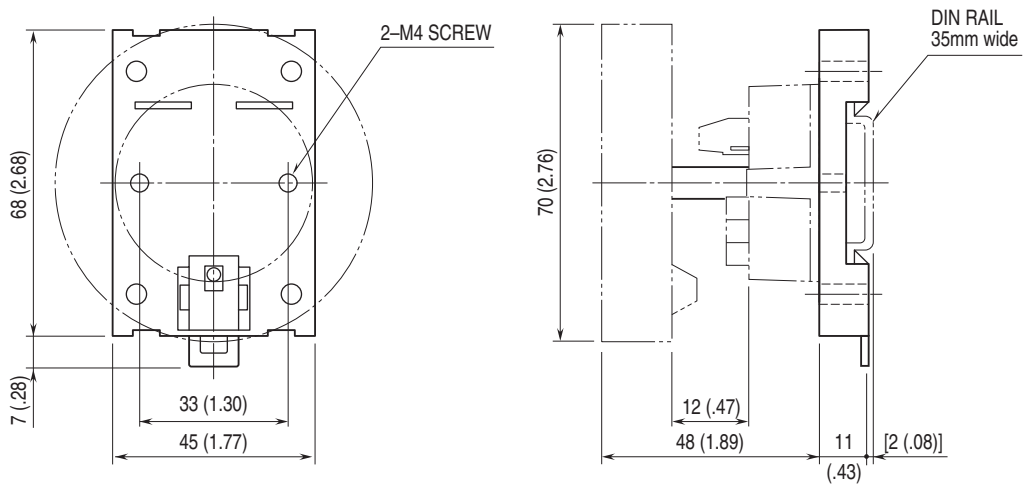
■ MOUNTING THE 27-UNIT TO DIN RAIL (model: A-34/27)



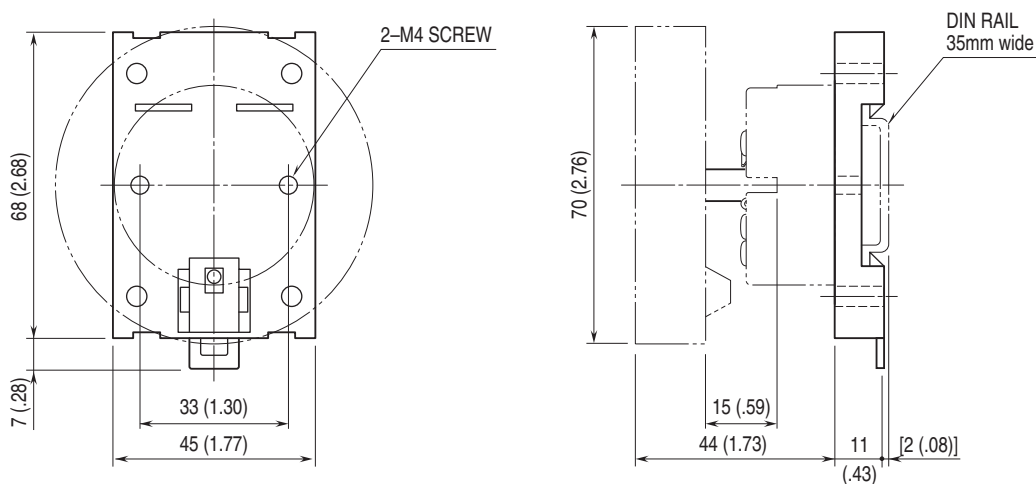
■ MOUNTING MODEL 6DV TO DIN RAIL (model: A-34/6DV)



■ MOUNTING THE 26-UNIT + 6DV TO DIN RAIL (model: A-34/266)



■ MOUNTING THE 27-UNIT + 6DV TO DIN RAIL (model: A-34/276)



Specifications are subject to change without notice.