

## Plug-in Signal Conditioners M-UNIT

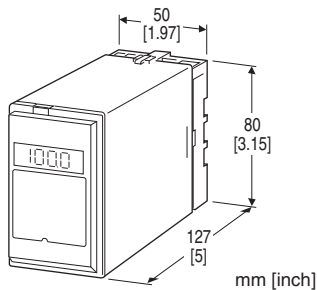
### ANALOG ADDER

#### Functions & Features

- Accepting two DC inputs and providing a standard process signal proportional to the addition of the two signals
- Isolation up to 2000 V AC
- LCD meter indicates added values (engineering unit display selectable)
- Simple loop test output (0 % and 100 %)
- High-density mounting

#### Typical Applications

- Adding two flows
- DC input transmitter for a power installation (dielectric strength 2000 V AC, 110 V DC power)



### MODEL: ADS-[1][2]-[3][4]

#### ORDERING INFORMATION

- Code number: ADS-[1][2]-[3][4]
- Specify a code from below for each of [1] through [4]. (e.g. ADS-6A-B/E2/Q)
- Special input and output ranges (For codes Z & 0)
- Parameters (e.g.  $K_1 = 0.10$ ,  $K_2 = 2.00$ )
- Specify the specification for option code /Q (e.g. /C01/S01)

#### [1] INPUT

##### Current

- A:** 4 - 20 mA DC (Input resistance 250  $\Omega$ )
- A1:** 4 - 20 mA DC (Input resistance 50  $\Omega$ )
- B:** 2 - 10 mA DC (Input resistance 500  $\Omega$ )
- C:** 1 - 5 mA DC (Input resistance 1000  $\Omega$ )
- D:** 0 - 20 mA DC (Input resistance 50  $\Omega$ )
- E:** 0 - 16 mA DC (Input resistance 62.5  $\Omega$ )
- F:** 0 - 10 mA DC (Input resistance 100  $\Omega$ )
- G:** 0 - 1 mA DC (Input resistance 1000  $\Omega$ )
- H:** 10 - 50 mA DC (Input resistance 100  $\Omega$ )
- J:** 0 - 10  $\mu$ A DC (Input resistance 1000  $\Omega$ )

- K:** 0 - 100  $\mu$ A DC (Input resistance 1000  $\Omega$ )
- GW:** -1 - +1 mA DC (Input resistance 1000  $\Omega$ )
- FW:** -10 - +10 mA DC (Input resistance 100  $\Omega$ )
- Z:** Specify current (See INPUT SPECIFICATIONS)
- Voltage**
- 1:** 0 - 10 mV DC (Input resistance 10 k $\Omega$  min.)
- 15:** 0 - 50 mV DC (Input resistance 10 k $\Omega$  min.)
- 16:** 0 - 60 mV DC (Input resistance 10 k $\Omega$  min.)
- 2:** 0 - 100 mV DC (Input resistance 100 k $\Omega$  min.)
- 3:** 0 - 1 V DC (Input resistance 1 M $\Omega$  min.)
- 4:** 0 - 10 V DC (Input resistance 1 M $\Omega$  min.)
- 5:** 0 - 5 V DC (Input resistance 1 M $\Omega$  min.)
- 6:** 1 - 5 V DC (Input resistance 1 M $\Omega$  min.)
- 4W:** -10 - +10 V DC (Input resistance 1 M $\Omega$  min.)
- 5W:** -5 - +5 V DC (Input resistance 1 M $\Omega$  min.)
- 0:** Specify voltage (See INPUT SPECIFICATIONS)

#### [2] OUTPUT

##### Current

- A:** 4 - 20 mA DC (Load resistance 750  $\Omega$  max.)
- B:** 2 - 10 mA DC (Load resistance 1500  $\Omega$  max.)
- C:** 1 - 5 mA DC (Load resistance 3000  $\Omega$  max.)
- D:** 0 - 20 mA DC (Load resistance 750  $\Omega$  max.)
- E:** 0 - 16 mA DC (Load resistance 900  $\Omega$  max.)
- F:** 0 - 10 mA DC (Load resistance 1500  $\Omega$  max.)
- G:** 0 - 1 mA DC (Load resistance 15 k $\Omega$  max.)
- Z:** Specify current (See OUTPUT SPECIFICATIONS)

##### Voltage

- 1:** 0 - 10 mV DC (Load resistance 10 k $\Omega$  min.)
- 2:** 0 - 100 mV DC (Load resistance 100 k $\Omega$  min.)
- 3:** 0 - 1 V DC (Load resistance 100  $\Omega$  min.)
- 4:** 0 - 10 V DC (Load resistance 1000  $\Omega$  min.)
- 5:** 0 - 5 V DC (Load resistance 500  $\Omega$  min.)
- 6:** 1 - 5 V DC (Load resistance 500  $\Omega$  min.)
- 4W:** -10 - +10 V DC (Load resistance 2000  $\Omega$  min.)
- 5W:** -5 - +5 V DC (Load resistance 1000  $\Omega$  min.)
- 0:** Specify voltage (See OUTPUT SPECIFICATIONS)

#### [3] POWER INPUT

##### AC Power

- B:** 100 V AC
- C:** 110 V AC
- D:** 115 V AC
- F:** 120 V AC
- G:** 200 V AC
- H:** 220 V AC
- J:** 240 V AC
- DC Power**
- S:** 12 V DC
- R:** 24 V DC
- V:** 48 V DC

P: 110 V DC (Not selectable with Option /E2)

#### [4] OPTIONS (multiple selections)

Addition Indicator

**blank:** Without

**/E:** With (0.0 - 100.0 % display)

**/E2:** With (in engineering unit with backlight and the simple loop test output)

Other Options

**blank:** none

**/Q:** Option other than the above (specify the specification)

#### SPECIFICATIONS OF OPTION: Q (multiple selections)

COATING (For the detail, refer to our web site.)

**/C01:** Silicone coating

**/C02:** Polyurethane coating

**/C03:** Rubber coating

TERMINAL SCREW MATERIAL

**/S01:** Stainless steel

#### GENERAL SPECIFICATIONS

**Construction:** Plug-in

**Connection:** M3.5 screw terminals

**Screw terminal:** Chromated steel (standard) or stainless steel

**Housing material:** Flame-resistant resin (black)

**Isolation:** Input 1 or input 2 to output to power

**Overrange output:** Approx. -10 to +120 % at 1 - 5 V

**Zero adjustment:** -5 to +5 % (front)

**Span adjustment:** 95 to 105 % (front)

**Equation:** Output =  $K_1 \times \text{Input 1} + K_2 \times \text{Input 2}$

$K_1, K_2:$  0.10 - 2.00 (parameters)

Output, Input 1, Input 2: 0 - 100 %

$K_1, K_2$  are ex-factory specified.

Note: Be aware that a input signal less than 0 % is calculated as a minus signal.

**Simple loop test output:** 0 % and 100 % signal simulated by selecting the front switch positions. (Only for option code /E2)

##### ■ DISPLAY (Added values indicator)

• **Option code:** /E

**LCD digital display:** 0.0 - 100.0 % (min. digit 0.1 %) (No scaling)

• **Option code:** /E2

**LCD digital display:** Engineering unit

**Display scaling:** -10000 - +10000

**Decimal position:**  $10^{-1}$  -  $10^{-4}$  or no decimal point

**Engineering unit:** %,  $\mu\text{V}$ , mV, V, mA, A, °C, °F,  $\Omega$ , DEG K, mHz, Hz, kHz, VAC, AAC, mg, g, kg, t, rpm or rps selectable

**Back light:** Green at normal, red at loop test output enable

**Factory setting:** scaling 0.00 - 100.00, unit: %

#### INPUT SPECIFICATIONS

##### ■ DC Current:

Shunt resistor attached to the input terminals (0.5 W)

Specify input resistance value for code Z.

##### ■ DC Voltage: -300 - +300 V DC

**Minimum span:** 3 mV

**Offset:** Max. 1.5 times span

##### Input resistance

Span 3 - 10 mV :  $\geq 10 \text{ k}\Omega$

Span 10 - 100 mV :  $\geq 10 \text{ k}\Omega$

Span 0.1 - 1 V :  $\geq 100 \text{ k}\Omega$

Span  $\geq 1 \text{ V}$  :  $\geq 1 \text{ M}\Omega$

#### OUTPUT SPECIFICATIONS

##### ■ DC Current: 0 - 20 mA DC

**Minimum span:** 1 mA

**Offset:** Max. 1.5 times span

**Load resistance:** Output drive 15 V max.

##### ■ DC Voltage: -10 - +12 V DC

**Minimum span:** 5 mV

**Offset:** Max. 1.5 times span

**Load resistance:** Output drive 10 mA max.; 5 mA for negative voltage output; at  $\geq 0.5 \text{ V}$

#### INSTALLATION

##### Power input

• **AC:** Operational voltage range: rating  $\pm 10 \%$ , 50/60  $\pm 2 \text{ Hz}$ , approx. 2 VA

(approx. 3 VA with Option /E2)

• **DC:** Operational voltage range: rating  $\pm 10 \%$ , or 85 - 150 V for 110 V rating (ripple 10 % p-p max.) approx. 2 W (80 mA at 24 V; approx. 3 W with Option /E2)

**Operating temperature:** -5 to +60°C (23 to 140°F)

**Operating humidity:** 30 to 90 %RH (non-condensing)

**Mounting:** Surface or DIN rail

**Weight:** 400 g (0.88 lb)

#### PERFORMANCE in percentage of span

**Accuracy:**  $\pm 0.2 \%$  ( $\pm 0.4 \%$  at  $K_1$  and/or  $K_2 > 1.00$ )

**Display accuracy:**  $\pm (0.2 \%$  of FS + 1 digit)

$\pm (0.4 \%$  of FS + 1 digit) at  $K_1$  and/or  $K_2 > 1.00$

**Simple loop test output setting accuracy:**  $\pm 0.5 \%$

**Temp. coefficient:**  $\pm 0.015 \%/^{\circ}\text{C}$  ( $\pm 0.008 \%/^{\circ}\text{F}$ )

**Response time:**  $\leq 0.5 \text{ sec.}$  (0 - 90 %)

**Line voltage effect:**  $\pm 0.1 \%$  over voltage range

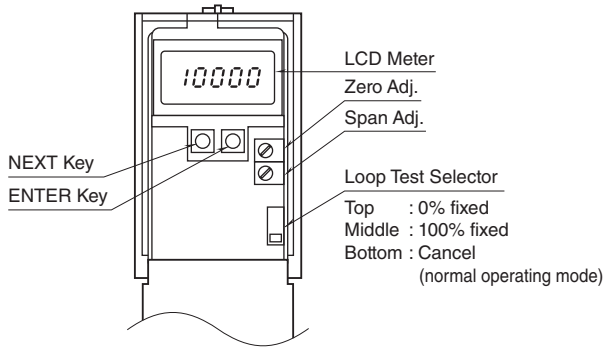
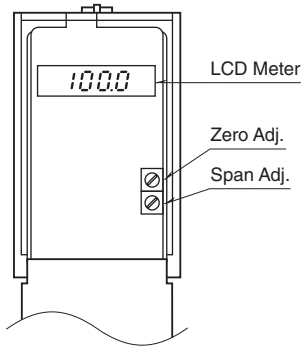
**Insulation resistance:**  $\geq 100 \text{ M}\Omega$  with 500 V DC

**Dielectric strength:** 2000 V AC @1 minute (input 1 or input 2 to output to power to ground)

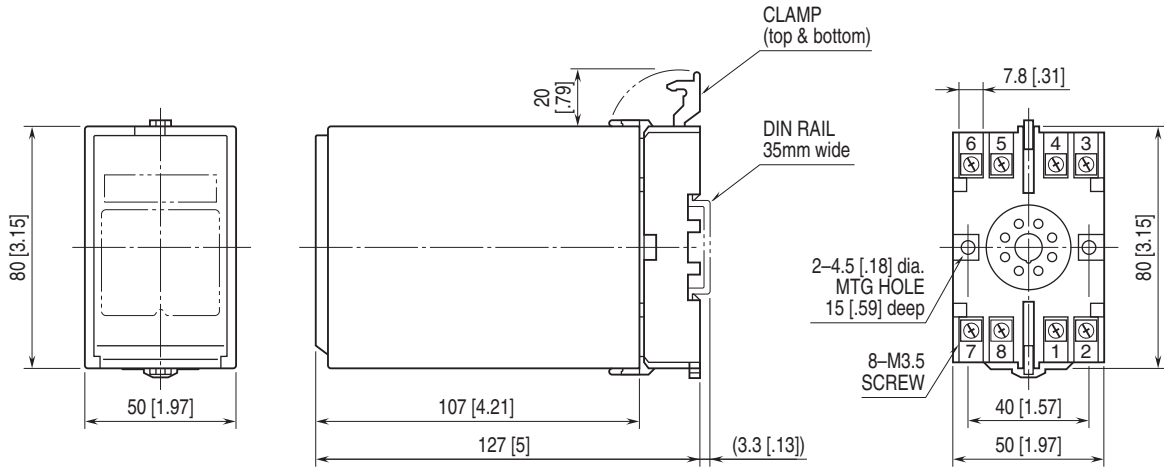
## EXTERNAL VIEW

■ OPTION /E

■ OPTION /E2

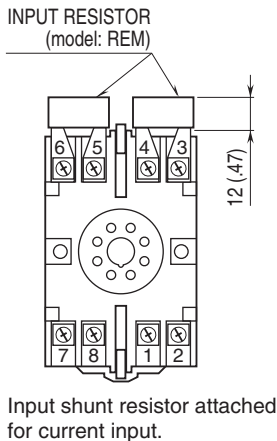


## EXTERNAL DIMENSIONS unit: mm [inch]

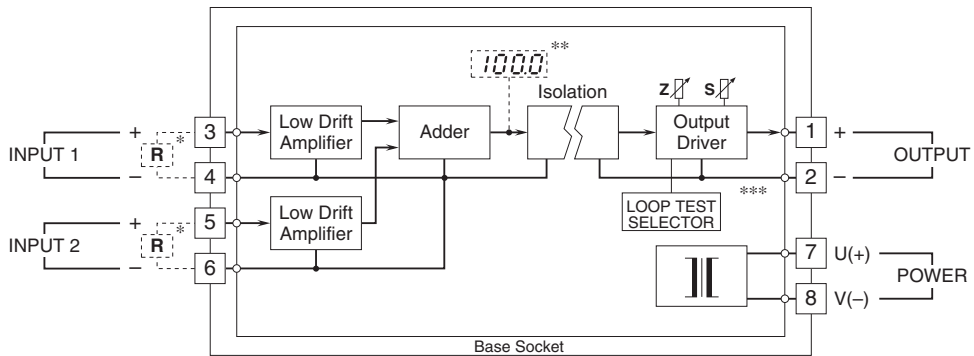


• When mounting, no extra space is needed between units.

## TERMINAL ASSIGNMENTS unit: mm [inch]



**SCHEMATIC CIRCUITRY & CONNECTION DIAGRAM**



- \* Input shunt resistor attached for current inputs.
- \*\* Option /E, E2
- \*\*\* Option /E2



Specifications are subject to change without notice.