

Limit Alarms (rotary switch adj.) AL-UNIT

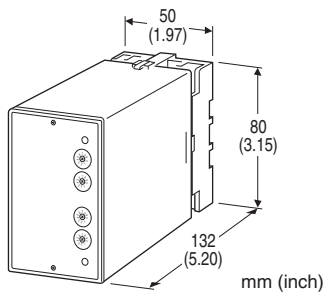
TWO-WIRE TRANSMITTER ALARM

Functions & Features

- Powering a 4 – 20 mA DC current loop
- Providing SPDT relay outputs at preset current levels
- Shortcircuit protection
- Applicable to smart transmitters
- Dual (Hi/Lo) trip
- Energized or de-energized coil at a tripped condition selectable
- Rotary switch setpoint adjustments
- Enclosed relays
- Relays can be powered 110 V DC
- High-density mounting

Typical Applications

- Annunciator
- Various alarm applications



MODEL: ALDY-[1][2]-[3][4]

ORDERING INFORMATION

- Code number: ALDY-[1][2]-[3][4]
- Specify a code from below for each of [1] through [4].
(e.g. ALDY-11-B/Q)
- Specify the specification for option code /Q
(e.g. /C01/S01)

INPUT

Current
4 – 20 mA DC (Input resistance 250 Ω)

[1] SETPOINT 1 OUTPUT

- 1: Hi (coil energized at alarm)
- 2: Hi (coil de-energized at alarm)
- 3: Lo (coil energized at alarm)
- 4: Lo (coil de-energized at alarm)

[2] SETPOINT 2 OUTPUT

- 1: Hi (coil energized at alarm)
- 2: Hi (coil de-energized at alarm)
- 3: Lo (coil energized at alarm)
- 4: Lo (coil de-energized at alarm)

[3] POWER INPUT

- AC Power
- B: 100 V AC
 - C: 110 V AC
 - D: 115 V AC
 - F: 120 V AC
 - G: 200 V AC
 - H: 220 V AC
 - J: 240 V AC
- DC Power
- S: 12 V DC
 - R: 24 V DC
 - V: 48 V DC
 - P: 110 V DC

[4] OPTIONS

- blank: none
- /Q: With options (specify the specification)

SPECIFICATIONS OF OPTION: Q (multiple selections)

- COATING (For the detail, refer to our web site.)
- /C01: Silicone coating
- /C02: Polyurethane coating
- /C03: Rubber coating
- TERMINAL SCREW MATERIAL
- /S01: Stainless steel

GENERAL SPECIFICATIONS

- Construction:** Plug-in
- Connection:** M3.5 screw terminals
- Screw terminal:** Chromated steel (standard) or stainless steel
- Housing material:** Flame-resistant resin (black)
- Isolation:** Input to output 1 to output 2 to power
- Setpoint adjustments:** 10-position rotary switches (front); 0 – 99 % independently; 1 % increments
- Hysteresis (deadband):** 0.7 – 2.5 %
- Front LEDs:** Red LED turns on when the coil is energized.
- Power ON timer:** Relays de-energized for approx. 2 seconds after power is turned on.

SUPPLY OUTPUT

- Output voltage:** 24 – 28 V DC with no load
- Current rating:** ≤ 22 mA DC

- **Shortcircuit Protection**
Current limited: 35 mA max.
Protected time duration: No limit

- Line voltage effect:** ± 0.1 % over voltage range
- Insulation resistance:** ≥ 100 M Ω with 500 V DC
- Dielectric strength:** 2000 V AC @1 minute (input to output 1 to output 2 to power to ground)

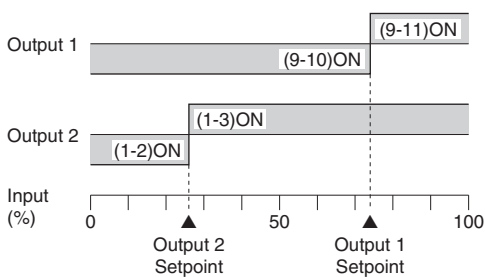
INPUT SPECIFICATIONS

- **DC Current:** Input resistor incorporated

OUTPUT SPECIFICATIONS

- **Relay Contact:** 100 V AC @ 1 A ($\cos \phi = 1$)
 120 V AC @ 1 A ($\cos \phi = 1$)
 240 V AC @ 0.5 A ($\cos \phi = 1$)
 30 V DC @ 1 A (resistive load)
 - Maximum switching voltage:** 380 V AC or 125 V DC
 - Maximum switching power:** 120 VA or 30 W
 - Minimum load:** 5 V DC @ 10 mA
 - Mechanical life:** 5×10^7 cycles
- For maximum relay life with inductive loads, external protection is recommended.

Alarm Trip Operation Terminal No. in parentheses



Trip Operation in Power Failure

- **Output Code: 1 & 4:** Terminals 1 – 2, 9 – 10 turn ON
- **Output Code: 2 & 3:** Terminals 1 – 3, 9 – 11 turn ON

INSTALLATION

Power input

- **AC:** Operational voltage range: rating ± 10 %, 50/60 ± 2 Hz, approx. 2.5 VA
- **DC:** Operational voltage range: rating ± 10 %, or 85 – 150 V for 110 V rating (ripple 10 % p-p max.) approx. 2 W (80 mA at 24 V)

Operating temperature: -5 to +60°C (23 to 140°F)

Operating humidity: 30 to 90 %RH (non-condensing)

Mounting: Surface or DIN rail

Weight: 380 g (0.84 lb)

PERFORMANCE in percentage of span

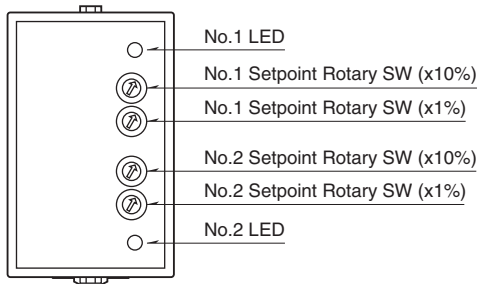
Setpoint accuracy: ± 0.5 %

Trip point repeatability: ± 0.05 %

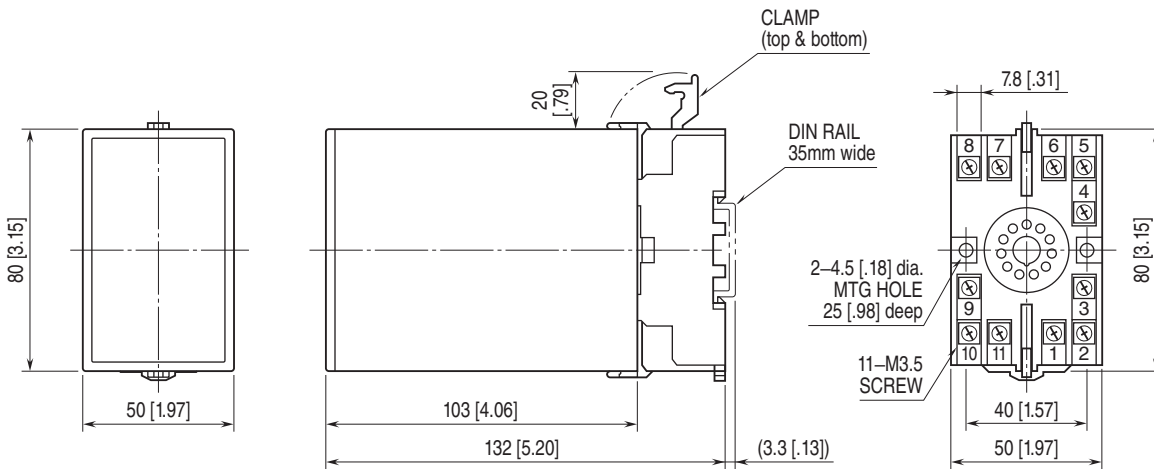
Temp. coefficient: ± 0.015 %/°C (± 0.008 %/°F)

Response time: Approx. 0.7 sec. (0 – 100 % at 90 % setpoint)

EXTERNAL VIEW

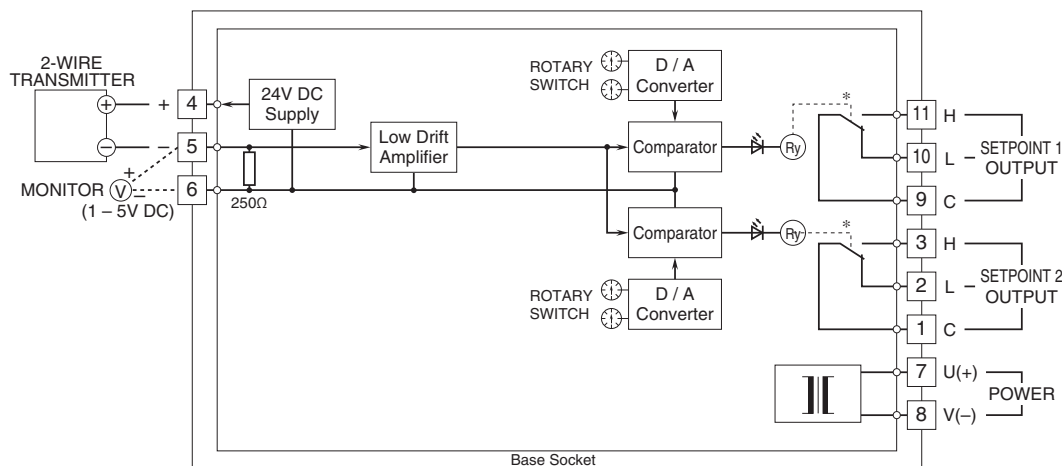


EXTERNAL DIMENSIONS & TERMINAL ASSIGNMENTS unit: mm [inch]



• When mounting, no extra space is needed between units.

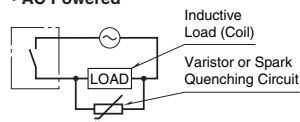
SCHEMATIC CIRCUITRY & CONNECTION DIAGRAM



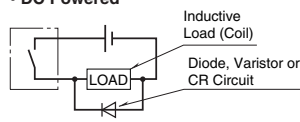
*Relay status for output codes "1" & "4", at power OFF.

■ Relay Protection

• AC Powered



• DC Powered





Specifications are subject to change without notice.