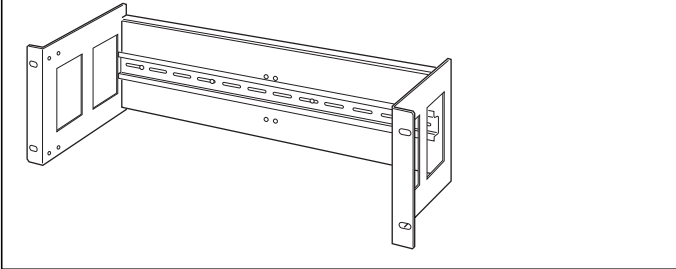


STANDARD RACK MOUNTING FRAME

Functions & Features

- Receiving at the maximum of 16 modules of FUNIT, H-UNIT, 5-UNIT & B-UNIT or 8 modules of P-UNIT for installation in a standard 19-inches rack



MODEL: BX-16H

ORDERING INFORMATION

- Code number: BX-16H

RELATED PRODUCTS

- Mounting Block (e.g. MB-16)

PACKAGE INCLUDES...

- DIN rail (16 positions)

GENERAL SPECIFICATIONS

Construction: Metal plates assembly

Capacity: 16 positions

Mounting

- Direct mounting: base sockets attached directly on the backplate with screws
- DIN rail: spring loaded brake on base socket provided
- Mounting Block: I/P transducers need Mounting Blocks.

Material: SPCC

Coating: Melamine baked coating

INSTALLATION

Operating temperature: -5 to +55°C (23 to 131°F)

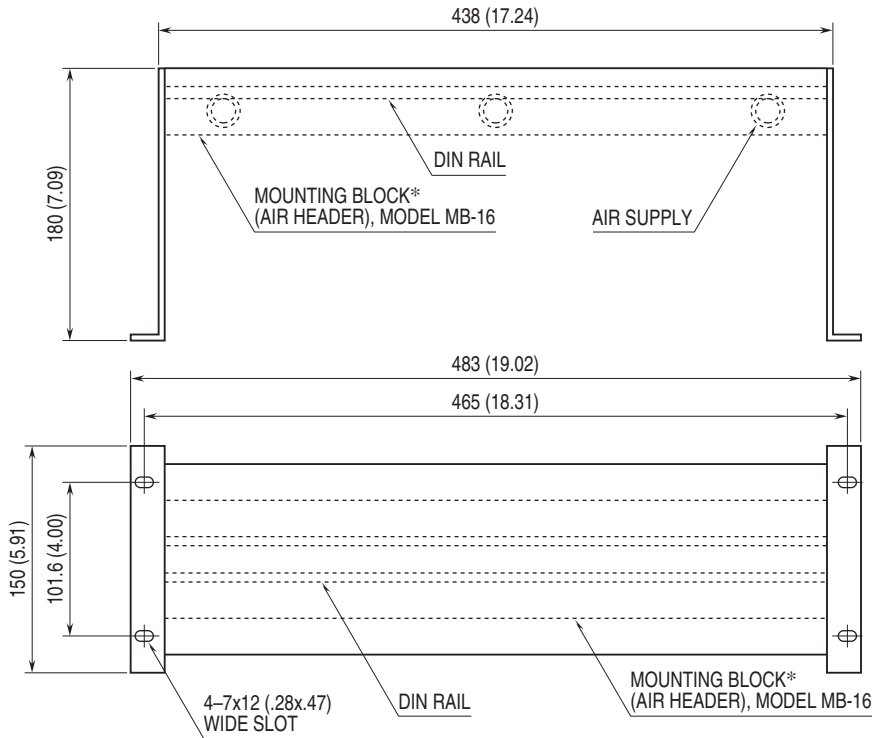
Operating humidity: 30 to 90 %RH (non-condensing)

Mounting: JIS/EIA standard rack or angle bracket

Weight: 2 kg (4.4 lb)

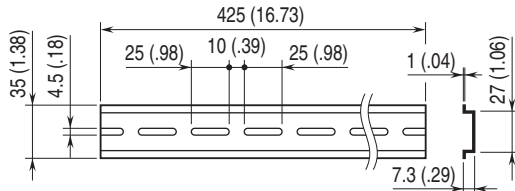
EXTERNAL DIMENSIONS unit: mm [inch]

■ BODY

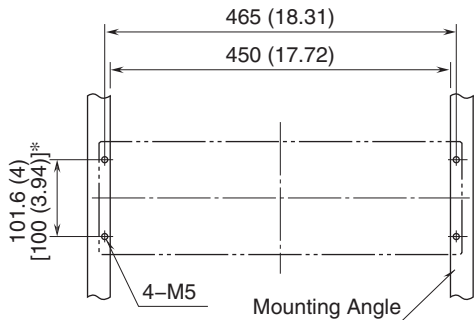


*The MB-16 is to be separately ordered.

■ DIN rail



MOUNTING REQUIREMENTS unit: mm [inch]



Note: Leave an appropriate amount of space below for wiring.

*Numbers in parentheses are JIS standards



Specifications are subject to change without notice.