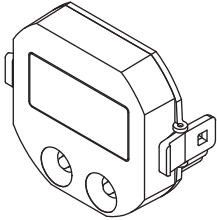


LCD DISPLAY

(for B6U use)

Functions & Features

- Wide range of operating temperature



MODEL: B6U-LCD1

ORDERING INFORMATION

- Code number: B6U-LCD1

ADAPTED DEVICE

1: B6U

RELATED PRODUCTS

- 2-wire universal temperature transmitter (model: B6U)
(non safety approval only)
- 2-wire universal temperature transmitter (model: B6U-B)
(non safety approval only)

GENERAL SPECIFICATIONS

Material: Flame-resistant resin (black)

■ DISPLAY

Features:

- Setting and display of input signals, engineering units and the transmitter operating status, etc.
- Removable while the module is powered.

Display size: 36 × 20 mm (1.42" × 0.79")

Characters Color: Black

Format:

- 2 rows of 5 alphanumeric characters:
 - Top row: 7.4 mm high;
 - Bottom row: 6.5 mm high,
- Status indicators and engineering units

For detail of the LCD panel indication, refer to the instruction manual.

Display range: -99999 to 99999

Decimal point: In top row

Read rate: 150 msec.

Back light: None

INSTALLATION

Operating temperature (full visibility): -30 to +80°C (-22 to +176°F)

Operating humidity: 0 to 95 %RH (non-condensing)

Mounting: Connect to the 2-wire universal temperature transmitter (model: B6U)

Weight: 37 g (1.31 oz)

STANDARDS & APPROVALS

Refer to the manuals to comply with the standards.

EU conformity:

EMC Directive

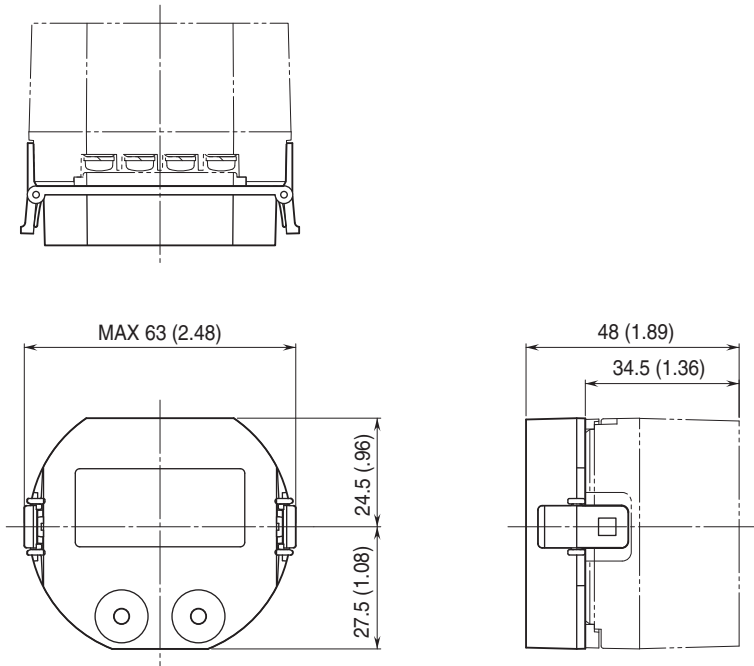
EMI EN 61000-6-4

EMS EN 61000-6-2

RoHS Directive

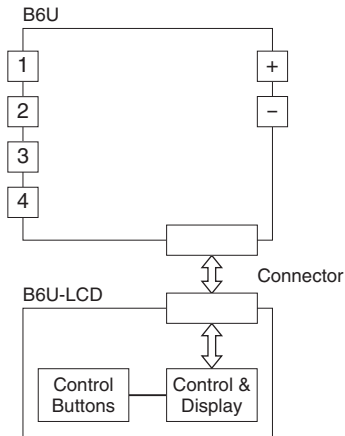
EXTERNAL DIMENSIONS unit: mm [inch]

The figure shows the combination of B6U and B6U-LCD.



SCHEMATIC CIRCUITRY & CONNECTION DIAGRAM

The diagram shows the combination of B6U and B6U-LCD.



Specifications are subject to change without notice.