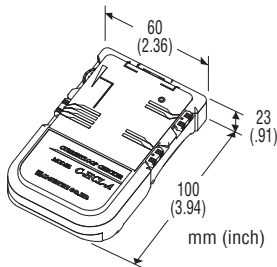


CURRENT LOOP CHECKER

Functions & Features

- Used to perform a loop test during a maintenance, inspection or testing of an instrumentation system or plant
- Generates simulated signals at the receiver side in place of an on-site transmitter
- Compact and light weight to fit into a pocket
- Provides 4, 12, and 20 mA switchable as required
- Selectable between 2-wire and 4-wire systems



MODEL: C-HCL-A

ORDERING INFORMATION

- Code number: C-HCL-A

NOTICE

The C-HCL-A realizes stable constant current outputs; however, it is not suitable for adjustment and calibration of measuring instruments or precision instruments. Select appropriate instruments for adjustment and calibration according to requirements.

RELATED PRODUCTS

- Test leads (Model: HCL-LEAD)

PACKAGE INCLUDES...

- Test leads (1.2 meters, red and black each one)
- AA cells (2 pieces)

GENERAL SPECIFICATIONS

Connection: 2 mm (0.08") diameter test plugs

Housing material: ABS resin

Mode switch: Switchable between 2-wire loop mode and 4-wire mode

The 2-wire loop mode controls current signals supplied from the power source such as a current loop supply, to perform a loop test (sink capability), whereas in the 4-wire mode, constant current is supplied to the transmitter (source capability).

Output range: 0 - 24 mA DC

Output monitoring: Directly measure output current

Monitor jack: 2 mm (0.08") diameter

Power LED: Red LED turns on when the power is supplied.

Continuous operating hours: Approx. seven hours with load resistance 750 Ω , output 12 mA, and when three new alkaline AA cells are used.

Usage: Stand or strap holder

OUTPUT SPECIFICATIONS

■ 2-WIRE LOOP MODE

Maximum input voltage: 24 V DC nominal (28V DC max)

■ 4-WIRE MODE

Load resistance: 750 Ω

Maximum voltage across output terminals: 24 V DC ± 0.5 V

■ COMMON SPECS

VR output range: Adjustable with the Current Adjuster in the range of 0 to 24 mA DC

Fixed output: Selectable with the Current Switch from 4, 12, and 20 mA

Monitor output: Available when the Monitor Switch is held at the M side.

INSTALLATION

Power supply: Two AA cells

Operating temperature: -5 to +40°C (23 to 104°F)

Operating humidity: 30 to 80 % RH (non-condensing)

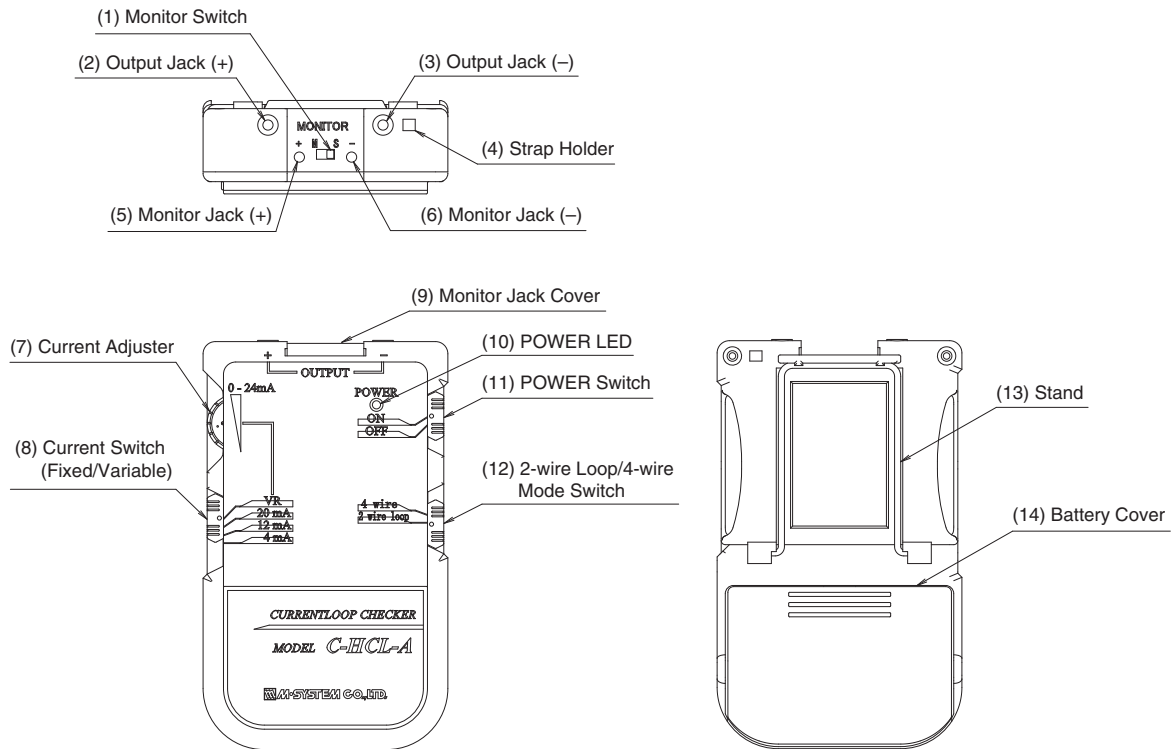
Weight: Approx. 70 g (2.47 oz) excluding batteries

PERFORMANCE (% of setting value)

Accuracy: ± 2.5 %

(% of the fixed settings at 4, 12, or 20 mA)

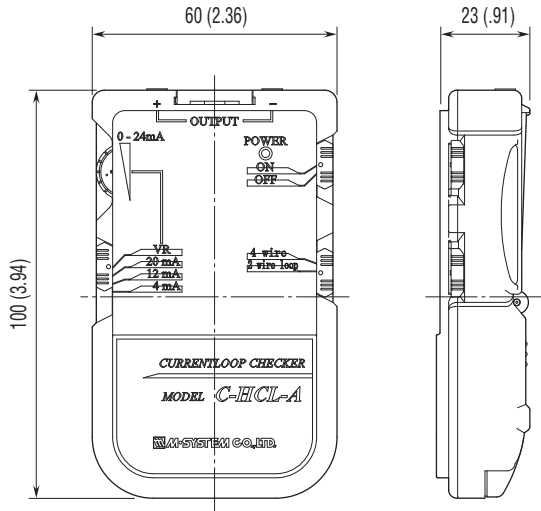
EXTERNAL VIEW



FUNCTIONAL DESCRIPTIONS

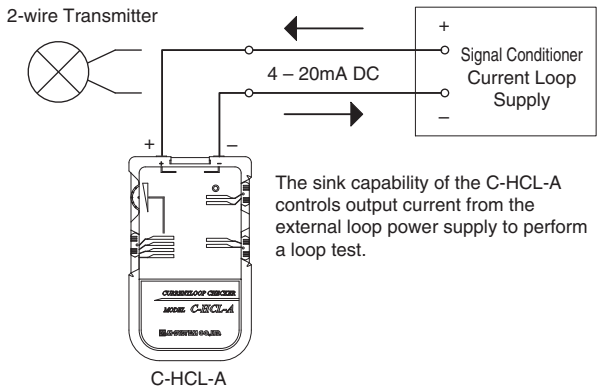
NAME	FUNCTION
(1) Monitor Switch	To enable the monitoring function, slide from S to M.
(2), (3) Output Jacks (+), (-)	Connect the test leads to + (red) and - (black).
(4) Strap Holder	Put a strap through this holder to suspend the checker.
(5), (6) Monitor Jacks (+), (-)	To monitor a current value, insert the test lead pins of a measurement device into these jacks: red pin to (+) and black pin to (-).
(7) Current adjuster	Adjustable continuously in the range of 0 to 24mA while the Current Switch (8) is held at the VR position.
(8) Current Switch (Fixed/Variable)	Fixed value is selectable from 4, 12, and 20mA.
(9) Monitor Jack Cover	To use the monitoring function, remove the cover.
(10) POWER LED	Red LED turns on when the power is on.
(11) POWER Switch	Switch ON and OFF for the checker.
(12) 2-wire Loop/4-wire Mode Switch	Current output is selectable from two modes, 2-wire loop (sink) and 4-wire (source).
(13) Stand	Pull the bar to set the checker in the upright position.
(14) Battery Cover	To replace a battery, remove the cover.

EXTERNAL DIMENSIONS unit: mm [inch]

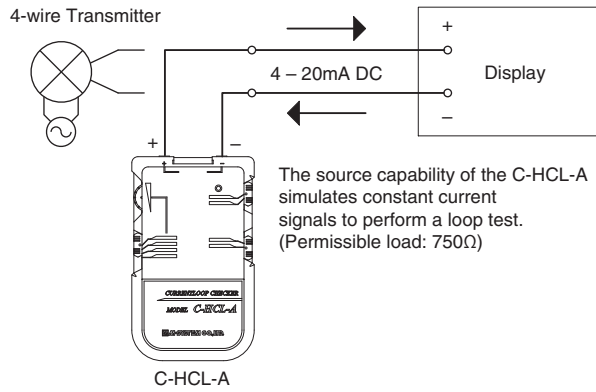


APPLICATION EXAMPLES

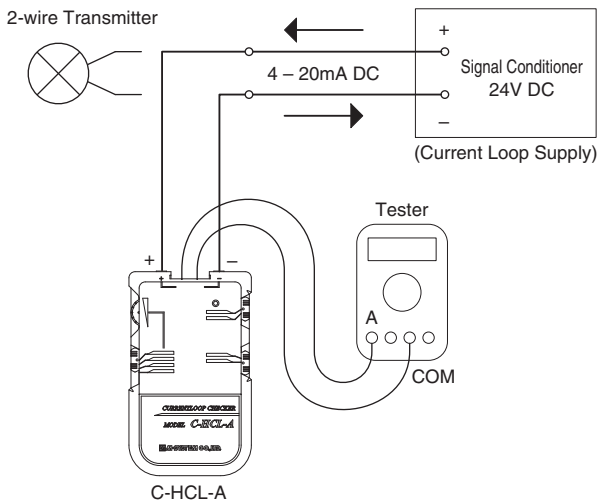
2-WIRE SYSTEM



4-WIRE SYSTEM



USING THE MONITORING FUNCTION





Specifications are subject to change without notice.