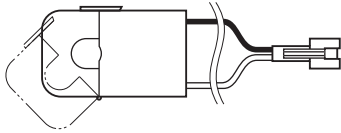


CLAMP-ON CURRENT SENSOR

Functions & Features

- Easy-to-install, nylon spring-loaded, clamp-on type current sensor
- Over-voltage clamp element for safety in open circuit
- Wide frequency band



MODEL: CLSA-[1]

ORDERING INFORMATION

- Code number: CLSA-[1]

Specify a code from below for [1].

(e.g. CLSA-08)

Confirm the correct sensor type described on the data sheet of the combined transducer/transmitter module.

[1] INPUT

08: 80 A

12: 120 A

30: 300 A

50: 500 A

CAUTION

Before you remove the sensor module or mount it, turn off the input signal for safety. While the line is alive, the module's cores, attracted to each other, may be hard to separate.

RELATED PRODUCTS

■ CLSA-08, 12, 30 and 50

- AC current input module (model: R3-CT4A)
- AC current input module (model: R3-CT8A)
- AC current input module (model: R5T-CTA)
- AC current transducer (model: 14CEC)
- AC current transducer (model: LTCEC)
- CT transmitter (model: CTC)
- High AC current transmitter (model: CTCS)
- CT transmitter (model: KCEC)
- AC current transmitter (model: M2CEC)
- CT transmitter (model: M5CTC)
- CT converter (model: M8CTC)

■ CLSA-08, 12

- Multi power input module (model: R3-WT1A)

- AC power input module (model: R3-WT4A)

- Special cable for CLSA-08, -12 (model: CLSA-08C-30)

GENERAL SPECIFICATIONS

Construction: Clamp

Connection

CLSA-08, CLSA-12: Connector

(Connector model: SMR-02V-B)

CLSA-30, CLSA-50: Leadwire

Housing material: Nylon

Applicable wire size: AWG22 or thicker (Max. 30 meters, twisted)

Detachable number of times: Approx. 100 times

INPUT SPECIFICATIONS

Max. working voltage: 440 V AC (primary side)

(Refer to the instruction manual for detail.)

Operational range & overload capacity

(Operational range: Overload capacity)

CLSA-08: 80 A maximum 120 A continuous

CLSA-12: 120 A maximum 300 A continuous

CLSA-30: 300 A maximum 360 A continuous

CLSA-50: 500 A maximum 600 A continuous

Caution 1: The output values may vary depending on the accuracy of engagement at the clamp connection.

Caution 2: The sensor's mechanical construction may cause it to generate resonance sound. However, it does not affect the performance of the sensor.

INSTALLATION

Operating temperature: -10 to +55°C (14 to 131°F)

Operating humidity: 30 to 90 %RH (non-condensing)

Mounting: Fix with a binding strap.

Weight

CLSA-08: 45 g (1.6 oz)

CLSA-12: 70 g (2.5 oz)

CLSA-30: 200 g (7.1 oz)

CLSA-50: 300 g (10.6 oz)

PERFORMANCE in percentage of span

Accuracy: ±1 % (45 - 65 Hz)

±2 % (65.1 Hz - 1.2 kHz)

Insulation resistance: ≥ 100 MΩ with 500 V DC

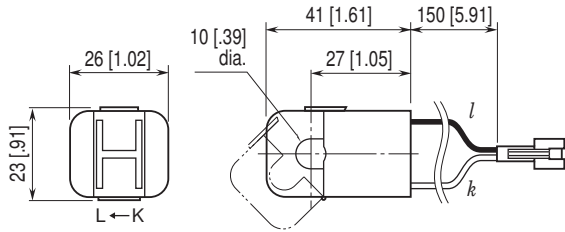
(sensor core to output)

Dielectric strength: 1000 V AC @ 1 minute

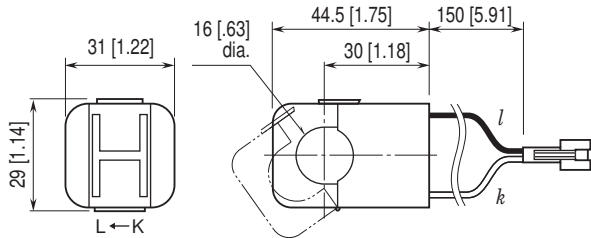
(sensor core to output)

EXTERNAL DIMENSIONS unit: mm [inch]

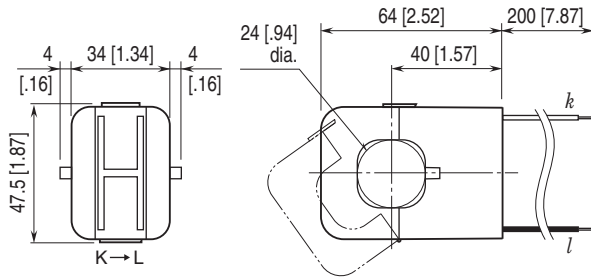
■ Sensor model No.: CLSA-08



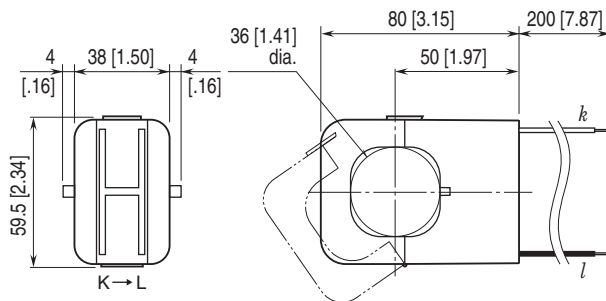
■ Sensor model No.: CLSA-12



■ Sensor model No.: CLSA-30



■ Sensor model No.: CLSA-50



Specifications are subject to change without notice.