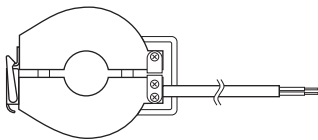


CLAMP-ON CURRENT SENSOR

(1A output)

Functions & Features

- Easy-to-install, spring-loaded, clamp-on type current sensor
- Over-voltage clamp element for safety in open circuit
- 1 A output



MODEL: CLSD-[1]-[2]-1

ORDERING INFORMATION

- Code number: CLSD-[1]-[2]-1

Specify a code from below for each of [1] and [2].

(e.g. CLSD-A-15-1)

Special specifications are possible. Consult factory.

(Input: 100 to 2000 A, Output: 1 A or Input: 500 to 2000 A, Output: 5 A)

[1] INTERNAL DIAMETER

- A: 24 (Select 15 or 20 for Input suffix code.)
- B: 36 (Select 30 or 40 for Input suffix code.)
- C: 60 (Select 80 or 100 for Input suffix code.)
- D: 100 (Select 200 for Input suffix code.)

[2] INPUT

- 15: 150 A
- 20: 200 A
- 30: 300 A
- 40: 400 A
- 80: 800 A
- 100: 1000 A
- 200: 2000 A

OUTPUT

- Current
- 1: 1 A

CAUTION

Before you remove the sensor module or mount it, turn off the input signal for safety. While the line is alive, the module's cores, attracted to each other, may be hard to separate.

RELATED PRODUCTS

AC current, watt, power factor transducers with 1 A input

- CT input module (model: R3-CT4)
- Multi power input module (model: R3-WT1)
- AC power input module (model: R3-WT4)
- AC current transducer (model: 14CE)
- AC current transducer (model: LTCE)
- CT transmitter (model: CT)
- CT transmitter (model: KCE)
- CT transmitter (model: M2CE)
- CT converter (model: M8CT)
- CT transmitter (model: M5CT)
- Multi power monitor (model: 53U, 54U, 54UC, 54UL)

GENERAL SPECIFICATIONS

Construction: Clamp

Housing material: Flame-resistant resin (black)

Applicable wire: Min. 0.75 mm²

Output clamp voltage: ±1.4 Vp-p

INPUT SPECIFICATIONS

Max. working voltage: 480 V AC (primary side)

Overload capacity: 120 % continuous, 4000 % for 1 minute

Operational range

CLSD-A-15: ≤ 150 A

CLSD-A-20: ≤ 200 A

CLSD-B-30: ≤ 300 A

CLSD-B-40: ≤ 400 A

CLSD-C-80: ≤ 800 A

CLSD-C-100: ≤ 1000 A

CLSD-D-200: ≤ 2000 A

INSTALLATION

Operating temperature: -20 to +60°C (-4 to +140°F)

Operating humidity: 85 % RH max. (non-condensing)

Mounting: Fix with a binding strap.

Weight

CLSD-A: 230 g (0.51 lb)

CLSD-B: 350 g (0.77 lb)

CLSD-C: 500 g (1.1 lb)

CLSD-D: 950 g (2.1 lb)

PERFORMANCE

Rated primary current / rated secondary current

CLSD-A-15: 150 A / 1 A

CLSD-A-20: 200 A / 1 A

CLSD-B-30: 300 A / 1 A

CLSD-B-40: 400 A / 1 A

CLSD-C-80: 800 A / 1 A

CLSD-C-100: 1000 A / 1 A

CLSD-D-200: 2000 A / 1 A

Rated VA: 0.5 VA

Frequency: 50 / 60 Hz

Ratio error: $\pm 1.0\%$, 1.0 In / $\pm 1.5\%$, 0.2 In

Phase displacement error: $\pm 80'$, 1.0 In / $\pm 120'$, 0.2 In

Insulation resistance: $\geq 100\text{ M}\Omega$ with 500 V DC

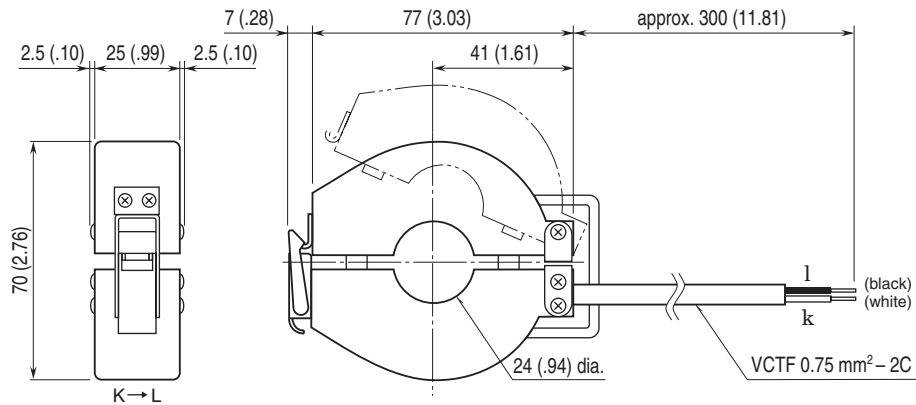
(sensor core to output)

Dielectric strength: 2000 V AC @ 1 minute

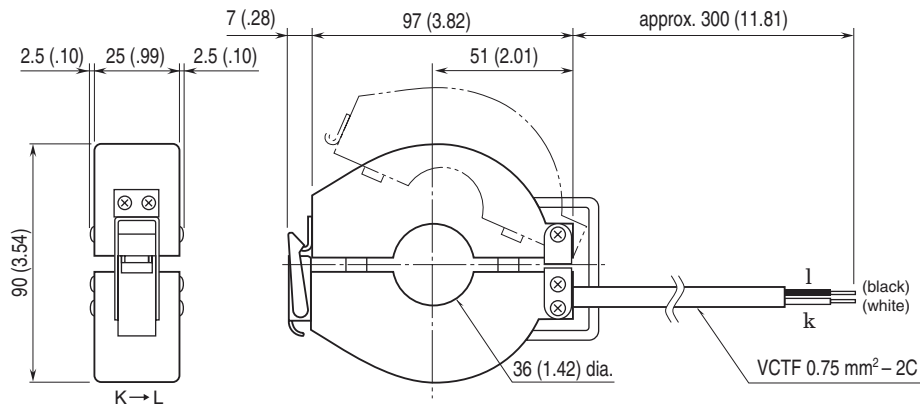
(sensor core to output)

EXTERNAL DIMENSIONS mm (inch)

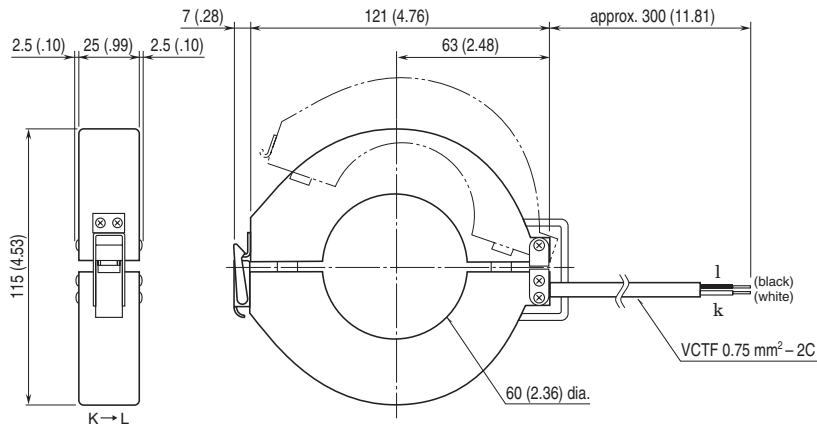
CLSD-A



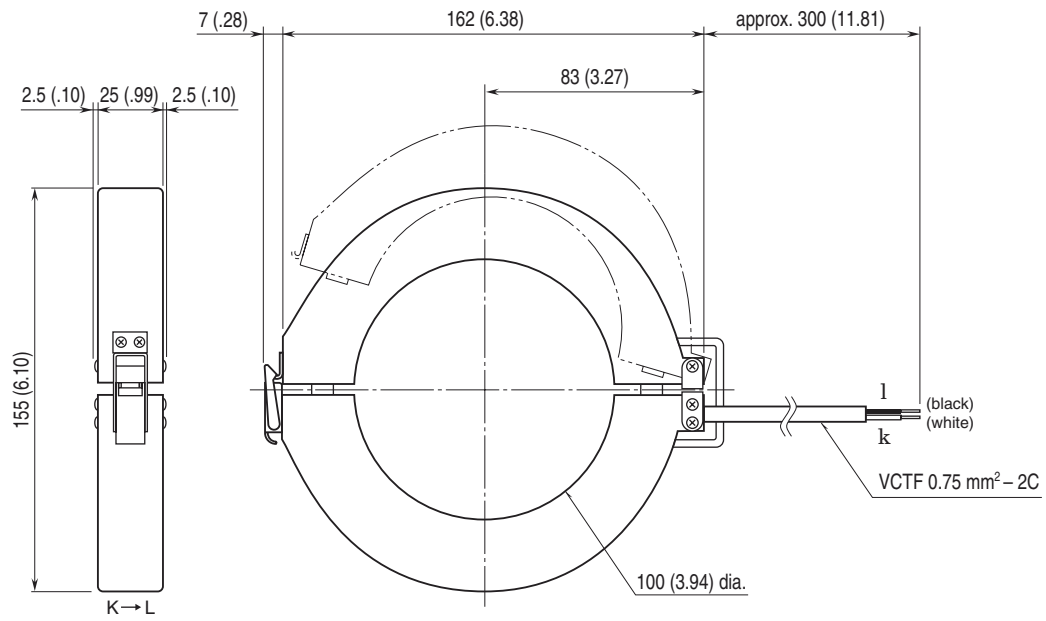
CLSD-B



CLSD-C



■ CLSD-D



Specifications are subject to change without notice.