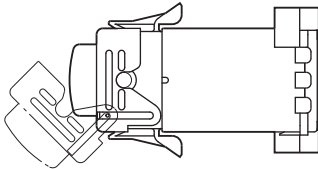


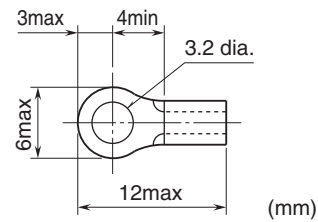
## CLAMP-ON PULSE SENSOR

### Functions & Features

- Indirectly detects pulse signals counted at a watt-hour meter
- Provides the watt-hour meter pulse signals to a PLC or a demand monitor equipment
- No polarity input
- Open collector output



■ Recommended solderless terminal size - M3 (unit: mm)



### INPUT SPECIFICATIONS

- Input:** Max. 50 000 pulses/hour  
**Pulse current:**  $\geq \pm 6$  mA,  $\leq \pm 40$  mA (DC)  
**Pulse width:**  $\geq 10$  msec.  
**Pulse cycle:**  $\geq 20$  msec.  
**Rise/sink time:**  $\leq 2$  msec.

### OUTPUT SPECIFICATIONS

- Open collector  
**Output rating:**  $\leq 35$  V DC,  $\leq 20$  mA  
**Saturation voltage:**  $\leq 1.3$  V DC @ 2 mA  
**Output pulse:** Max. 50 000 pulses/hour

## MODEL: CLSP-5

### ORDERING INFORMATION

- Code number: CLSP-5

### INPUT

5: Max. 50 000 pulses/hour

### CAUTION

Before you remove the module or mount it, turn off the power supply and input signal for safety.

### RELATED PRODUCTS

- Pulse isolator (model: YPD, WYPD, KYPD, KWYPD, M2PP, W2PP)
- Pulse Divider (model: M2PDU)
- Low speed totalized pulse input module (model: R3-PA4B)

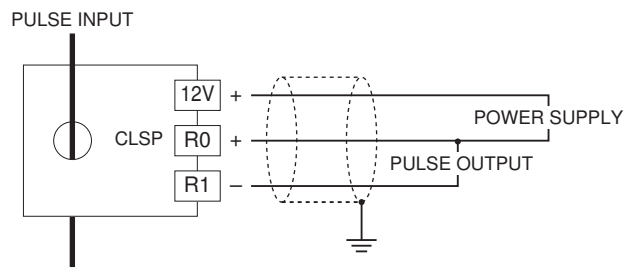
### GENERAL SPECIFICATIONS

- Construction:** Clamp  
**Connection:** M3 screw terminals (torque 0.5 N·m)  
**Recommended solderless terminal:**  
 - Solderless terminals with insulation sleeve is not available.  
 - Refer to the drawing on the end of this section.  
**Applicable wire size:** 0.3 to 0.75 mm<sup>2</sup>  
**Housing material:** Flame-resistant resin (black)  
**Detachable number of times:** Approx. 100 times

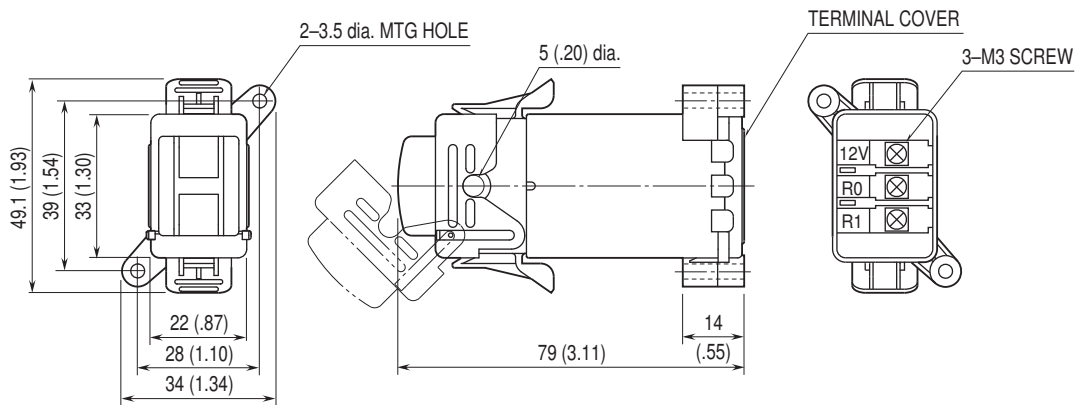
### INSTALLATION

- Power input**  
 • **DC:** Operational voltage range 12 V DC  $\pm 10$  %; ripple 10 %p-p max., 5 mA max.  
**Operating temperature:** 0 to 55°C (32 to 131°F)  
**Operating humidity:** 80 % RH max. (non-condensing)  
**Mounting:** Surface  
**Weight:** 55 g (1.9 oz)

## CONNECTION DIAGRAM



## EXTERNAL DIMENSIONS mm (inch)



Specifications are subject to change without notice.