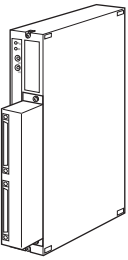


Multiplex Transmission System

ADAPTOR CONNECTOR

Functions & Features

- Simplifies wiring work between multiplex transmission units (DLA1) and 10-RACK, 15-RACK and 18-RACK signal conditioner modules



MODEL: CND-[1]

ORDERING INFORMATION

- Code number: CND-[1]
- Specify a code from below for [1].
(e.g. CND-11)

[1] CONNECTOR

(DLA1 I/O model suffix code - connected equipment)

- 11:** G1 (Ai 32) - 10/18-Rack*
M1 (Ao 32) - 10/18-Rack*
- 12:** R1 (Ai 16 / Ao 16) - 10/18-Rack*
- 21:** G1 (Ai 32) - 15-Rack*
M1 (Ao 32) - 15-Rack*
- 22:** R1 (Ai 16 / Ao 16) - 15-Rack*
- 31:** A1, A2, C1, C2, C3, C4, E1, E2, G1, M1, P1, R1,
S1 - Connector Terminal Block (CNT)*
- 71:** C1 (Do 32) - OMRON I/O relay terminal**
(for G7TC-OC16 output)
- 72:** C2 (Do 32) - OMRON I/O relay terminal**
(for G7TC-OC16 output)
- 81:** M1 (Ao 32) - YOKOGAWA DCS card**
VM1 x 2 (KS2 cable)
- 82:** R1 (Ai 16 / Ao 16) - YOKOGAWA DCS card**
VM2 x 2 (KS2 cable)
- 83:** A2 (Di 64) or C3 (Do 64) - YOKOGAWA DCS card**
ST5 / ST6 / ST7 (KS9 cable)
- 84:** R1 (Ai 16 / Ao 16) - YOKOGAWA DCS card**
VM4, VM1 (KS2 cable)
- 86:** C2 (Do 32) - YOKOGAWA DCS card**
ST2 / ST3 (KS2 cable)
- 87:** A1 (Di 32) - YOKOGAWA DCS card**
ST2 / ST4 (KS2 cable)

- 88:** E2 (Di 16 / Do 16) - YOKOGAWA DCS card**
ST2 (KS2 cable)
 - 89:** C1 (Do 32) - YOKOGAWA DCS card**
ST2 / ST3 (KS2 cable)
 - 8A:** A1 (Di 32) - YOKOGAWA DCS card**
ST7 (KS9 cable)
 - 8B:** C1 (Do 32) - YOKOGAWA DCS card**
ST6 (KS9 cable)
- *FUJITSU FCN type connector
OTAX N36xP040AU
(Fujitsu FCN-36xP040-AU...discontinued)
**We guarantee the connecting section

RELATED PRODUCTS

- Standard rack (for 10/15/18-Rack)
- Connector terminal block (model: CNT)
- Special cable with 40-pin connector (model: FCN)

GENERAL SPECIFICATIONS

Construction: Metal plates assembly
Material: SPCC
Coating: Melamine resin
Color: Black

INSTALLATION

Operating temperature: -5 to +55°C (23 to 131°F)
Operating humidity: 30 to 90 %RH (non-condensing)
Mounting: Attached to the front of DLA1 unit
Weight
Standard: 450 g (0.99 lb)
CND-83: 250 g (0.55 lb)

PERFORMANCE

Insulation resistance: ≥ 100 MΩ with 500 V DC
Dielectric strength: 1000 V AC @ 1 minute
(I/O connector to metal housing)

CONNECTOR PIN ASSIGNMENT

■ **FCN CONNECTORS**

10-Rack, 15-Rack or 18-Rack modules can be linked directly via 40-pin connector cable (model: FCN).

• **CND-11**

DLA1-xG1, xM1 – 10/18-Rack

DLA1 TERM.	CN1	CN2	10/18-RACK I/O NO.
1 – 16	A1 – A16	—	Aio, ch.1 (+) – 16 (+)
17 – 32	—	A1 – A16	Aio, ch.1 (+) – 16 (+)
33 – 36	NC	NC	No connection
37 – 40	B1 – B20	B1 – B20	Common (–)

• **CND-12**

DLA1-xR1 – 10/18-Rack

DLA1 TERM.	CN1	CN2	10/18-RACK I/O NO.
1 – 16	A1 – A16	—	Ai, ch.1 (+) – 16 (+)
17, 18	NC	NC	No connection
19, 20	B1 – B20	B1 – B20	Ai, ch.1 (–) – 16 (–)
21 – 36	—	A1 – A16	Ao, ch.1 (+) – 16 (+)
37, 38	NC	NC	No connection
39, 40	B1 – B20	B1 – B20	Ao, ch.1 (–) – 16 (–)

• **CND-21**

DLA1-xG1, xM1 – 15-Rack

DLA1 TERM.	CN1	15-RACK I/O NO.
1	A1	Aio, ch. 1 (+)
2	B1	Aio, ch. 2 (+)
3	A2	Aio, ch. 3 (+)
4	B2	Aio, ch. 4 (+)
5	A3	Aio, ch. 5 (+)
6	B3	Aio, ch. 6 (+)
7	A4	Aio, ch. 7 (+)
8	B4	Aio, ch. 8 (+)
9	A5	Aio, ch. 9 (+)
10	B5	Aio, ch.10 (+)
11	A6	Aio, ch.11 (+)
12	B6	Aio, ch.12 (+)
13	A7	Aio, ch.13 (+)
14	B7	Aio, ch.14 (+)
15	A8	Aio, ch.15 (+)
16	B8	Aio, ch.16 (+)
17	A9	Aio, ch.17 (+)
18	B9	Aio, ch.18 (+)
19	A10	Aio, ch.19 (+)
20	B10	Aio, ch.20 (+)
21	A11	Aio, ch.21 (+)
22	B11	Aio, ch.22 (+)
23	A12	Aio, ch.23 (+)
24	B12	Aio, ch.24 (+)
25	A13	Aio, ch.25 (+)
26	B13	Aio, ch.26 (+)
27	A14	Aio, ch.27 (+)
28	B14	Aio, ch.28 (+)
29	A15	Aio, ch.29 (+)
30	B15	Aio, ch.30 (+)
31	A16	Aio, ch.31 (+)
32	B16	Aio, ch.32 (+)
33 – 36	NC	No connection
37 – 40	A17, B17	Aio ch.1 (–) – 32 (–)

• **CND-22**

DLA1-xR1 – 15-Rack

DLA1 TERM.	CN1	15-RACK I/O NO.
1	A1	Ai, ch. 1 (+)
2	B1	Ai, ch. 2 (+)
3	A2	Ai, ch. 3 (+)
4	B2	Ai, ch. 4 (+)
5	A3	Ai, ch. 5 (+)
6	B3	Ai, ch. 6 (+)
7	A4	Ai, ch. 7 (+)
8	B4	Ai, ch. 8 (+)
9	A5	Ai, ch. 9 (+)
10	B5	Ai, ch.10 (+)
11	A6	Ai, ch.11 (+)
12	B6	Ai, ch.12 (+)
13	A7	Ai, ch.13 (+)
14	B7	Ai, ch.14 (+)
15	A8	Ai, ch.15 (+)
16	B8	Ai, ch.16 (+)
17, 18	A17, B17	Ai, ch.1 (–) – 16 (–)
19, 20	NC	No connection
21	A9	Ao, ch. 1 (+)
22	B9	Ao, ch. 2 (+)
23	A10	Ao, ch. 3 (+)
24	B10	Ao, ch. 4 (+)
25	A11	Ao, ch. 5 (+)
26	B11	Ao, ch. 6 (+)
27	A12	Ao, ch. 7 (+)
28	B12	Ao, ch. 8 (+)
29	A13	Ao, ch. 9 (+)
30	B13	Ao, ch.10 (+)
31	A14	Ao, ch.11 (+)
32	B14	Ao, ch.12 (+)
33	A15	Ao, ch.13 (+)
34	B15	Ao, ch.14 (+)
35	A16	Ao, ch.15 (+)
36	B16	Ao, ch.16 (+)
37 – 38	A17, B17	Ao ch.1 (–) – 16 (–)
39 – 40	NC	No connection

• **CND-31**

DLA1 I/O unit – CNT-S, -M

DLA1 TERM.	CN2
1 – 20	A1 – A20
21 – 40	B1 – B20

■ DCS CONNECTORS

•CND-71

	CN1	CN2
Output of DLA1-xC1	Do 1 – Do 16	Do 17 – Do 32
Input of G7TC-OC16	Di ch.1 – ch.16	—
Input of G7TC-OC16	—	Di ch.1 – ch.16

•CND-72

	CN1	CN2
Output of DLA1-xC2	Do 1 – Do 16	Do 17 – Do 32
Input of G7TC-OC16	Di ch.1 – ch.16	—
Input of G7TC-OC16	—	Di ch.1 – ch.16

•CND-81

	CN1	CN2
Output of DLA1-xM1	Ao 1 – Ao 16	Ao 17 – Ao 32
Input of VM1	Ai ch.1 – ch.16	—
Input of VM1	—	Ai ch.1 – ch.16

•CND-82

	CN1		CN2	
Output of DLA1-xR1	Ai 1 – Ai 8	Ao 1 – Ao 8	Ai 9 – Ai 16	Ao 9 – Ao 16
I/O of VM2	Ao ch.1 – ch.8	Ai ch.1 – ch.8	—	—
I/O of VM2	—	—	Ao ch.1 – ch.8	Ai ch.1 – ch.8

•CND-83

	CN1	CN2
Input of DLA1-xA2	Di 1 – Di 32	Di 33 – Di 64
Output of ST7	Do ch.1 – ch.32	Do ch.1 – ch.32
Output of DLA1-xC3	Do 1 – Do 32	Do 33 – Do 64
Input of ST6	Di ch.1 – ch.32	Di ch.1 – ch.32

•CND-84

	CN1	CN2
I/O of DLA1-xR1	Ai 1 – Ai 16	Ao 1 – Ao 16
Output of VM4	Ao ch.1 – ch.16	—
Input of VM1	—	Ai ch.1 – ch.16

•CND-86

	CN1	CN2
Output of DLA1-xC2	Do 1 – Do 16	Do 17 – Do 32
Input of ST3	Di ch.1 – ch.16	Di ch.1 – ch.16

•CND-87

	CN1	CN2
Input of DLA1-xA1	Di 1 – Di 16	Di 17 – Di 32
Output of ST4	Do ch.1 – ch.16	Do ch.1 – ch.16

•CND-88

	CN1	CN2
I/O of DLA1-xE2	Di 1 – Di 16	Do 1 – Do 16
I/O of ST2	Do ch.1 – ch.16	Di ch.1 – ch.16

•CND-89

	CN1	CN2
Output of DLA1-xC1	Do 1 – Do 16	Do 17 – Do 32
Input of ST3	Di ch.1 – ch.16	Di ch.1 – ch.16

•CND-8A

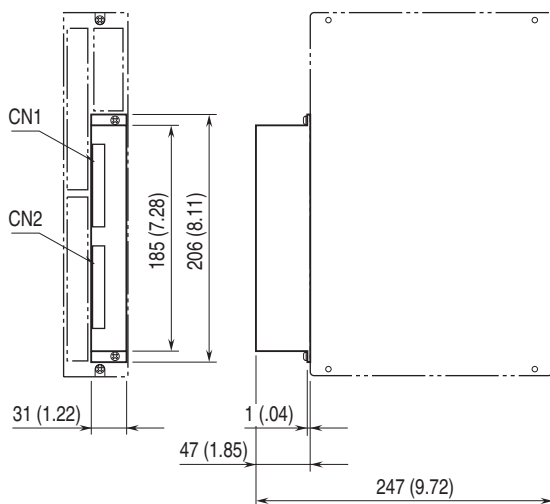
	CN1
Input of DLA1-xA1	Di 1 – Di 32
Output of ST7	Do ch.1 – ch.32

•CND-8B

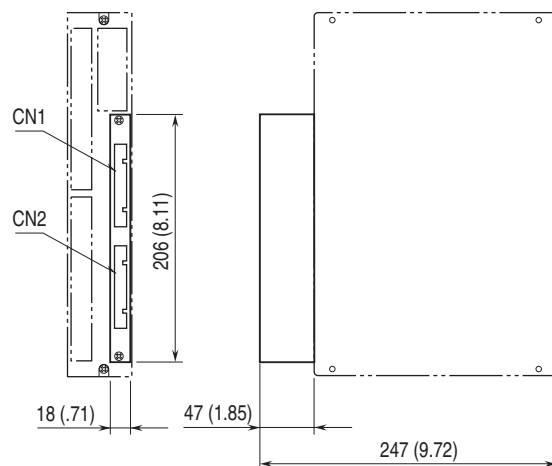
	CN1
Output of DLA1-xC1	Do 1 – Do 32
Input of ST6	Di ch.1 – ch.32

DIMENSIONS unit: mm (inch)

■ STANDARD TYPE

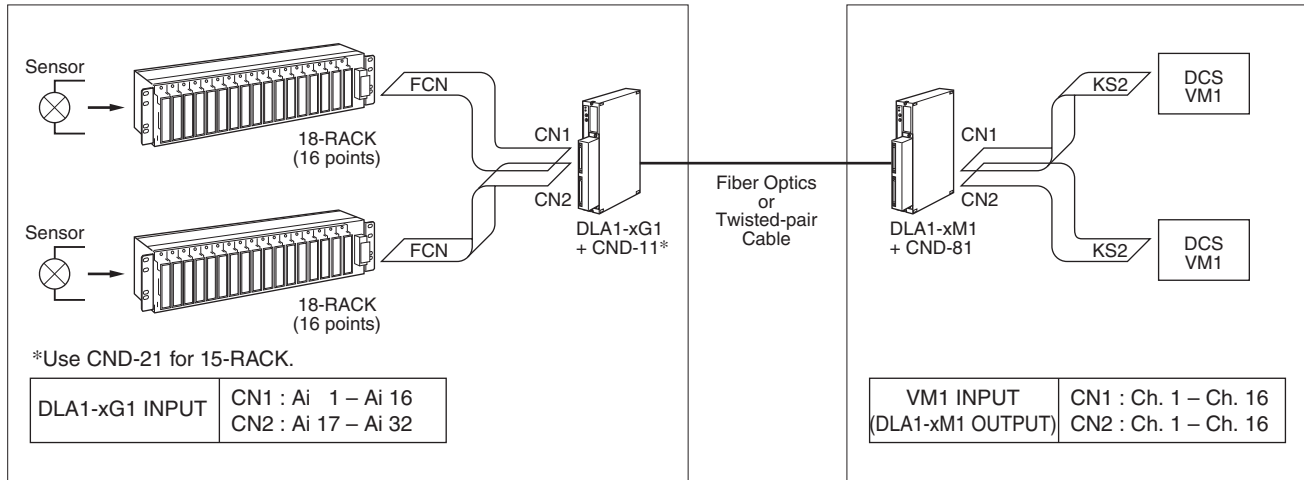


■ CND-83

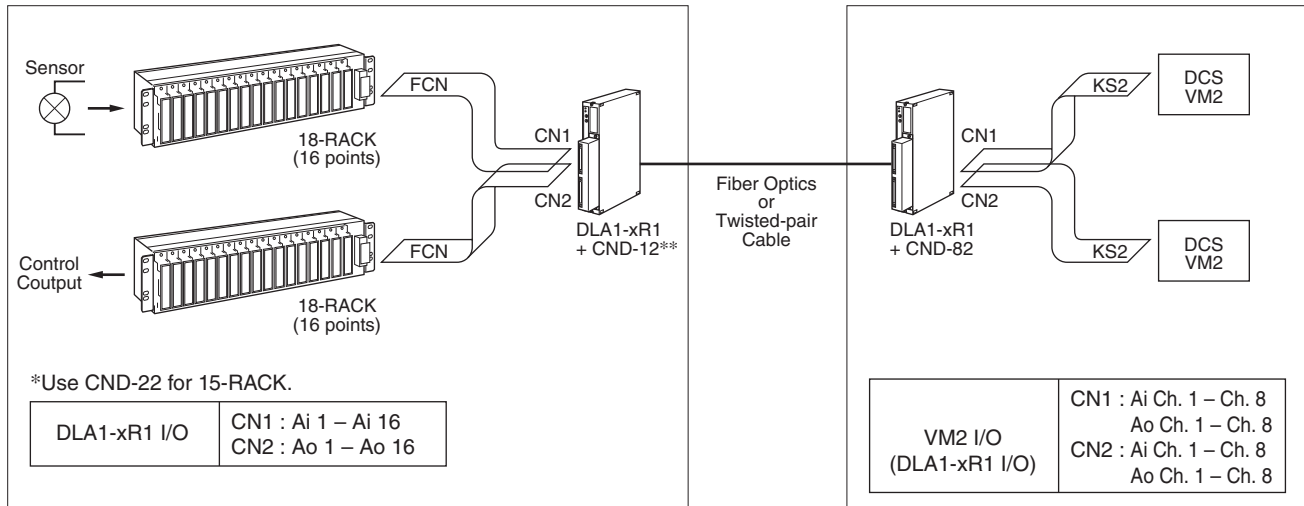


SYSTEM CONFIGURATION EXAMPLES

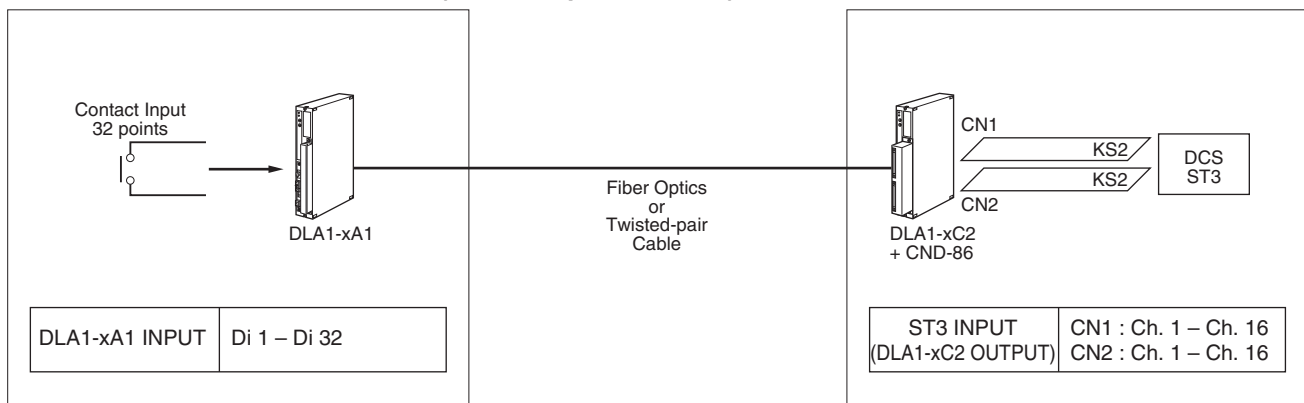
1. 10 / 15 / 18-RACK → DLA1 → VM1 (analog input 16 ch. x 2)



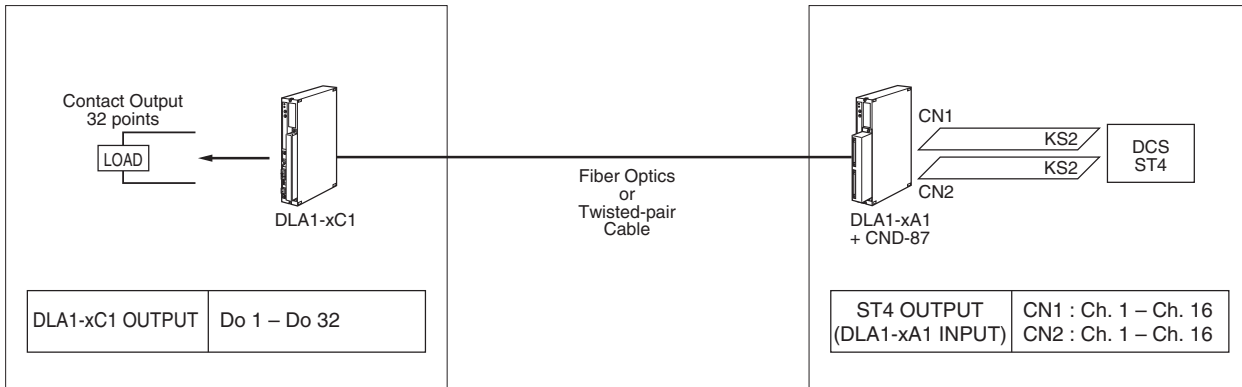
2. 10 / 15 / 18-RACK ↔ DLA1 ↔ VM2 (analog I/O each 8 ch. x 2)



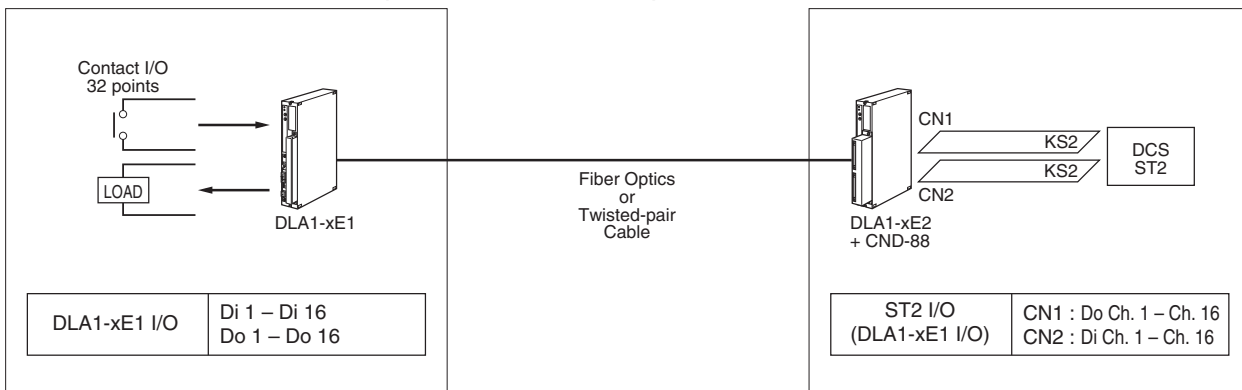
3. CONTACT INPUT → DLA1 → ST3 (contact input 16 ch. x 2)



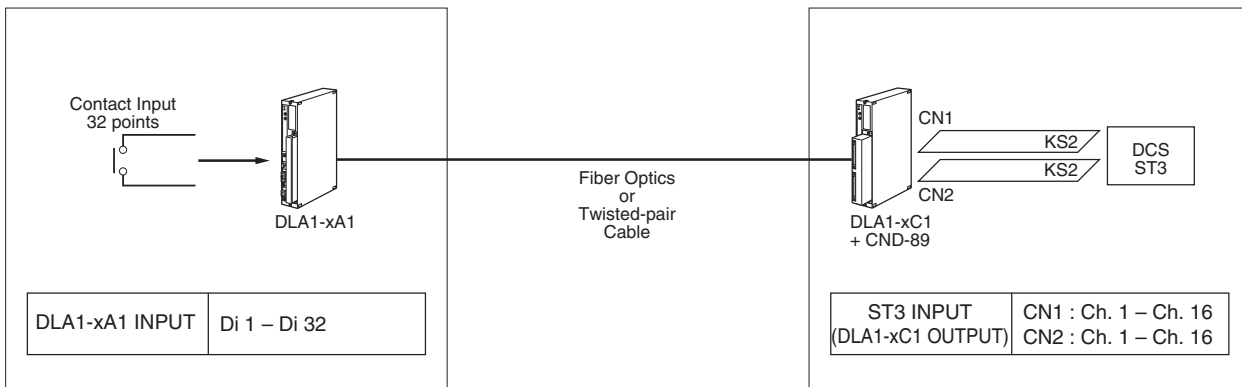
4. CONTACT OUTPUT ← DLA1 ← ST4 (contact output 16 ch. x 2)



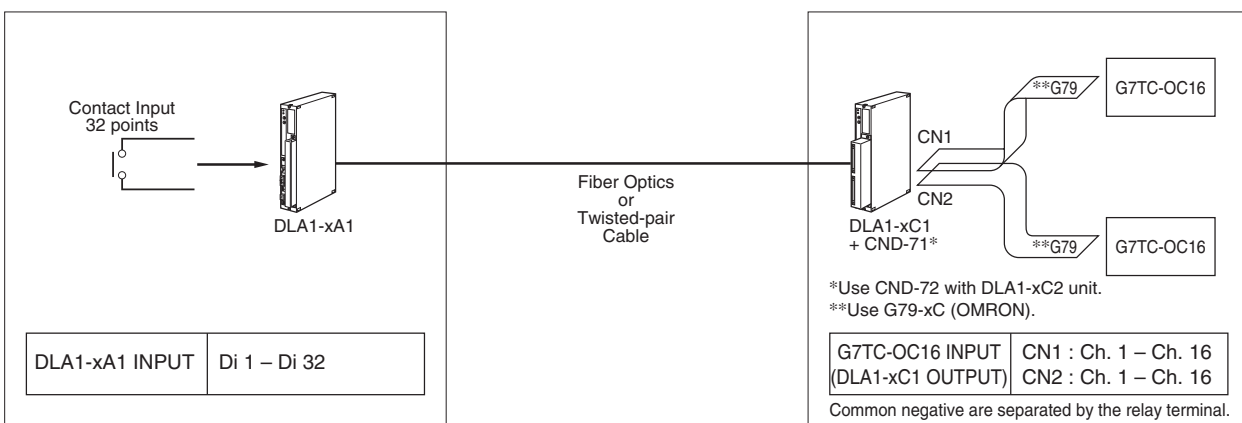
5. CONTACT I/O ↔ DLA1 ↔ ST2 (contact I/O each 16 ch.)



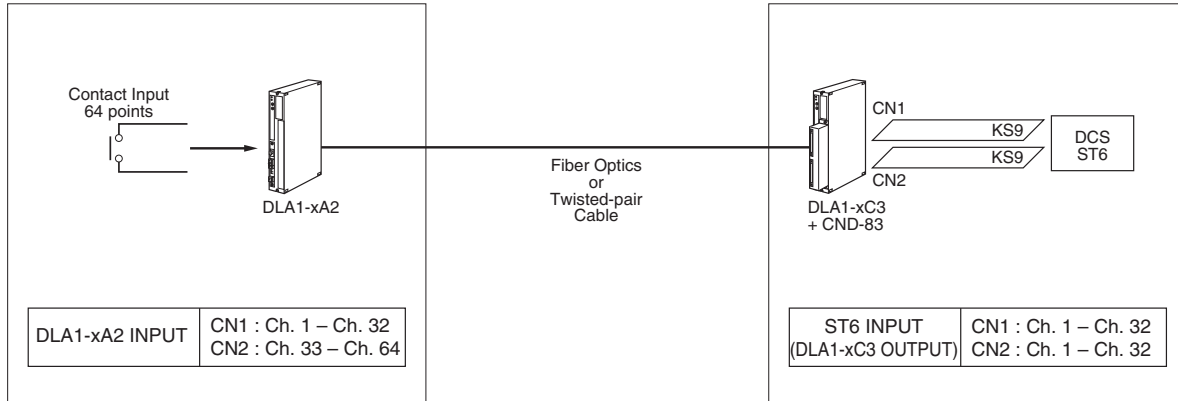
6. CONTACT INPUT → DLA1 → ST3 (contact input 16 ch. x 2)



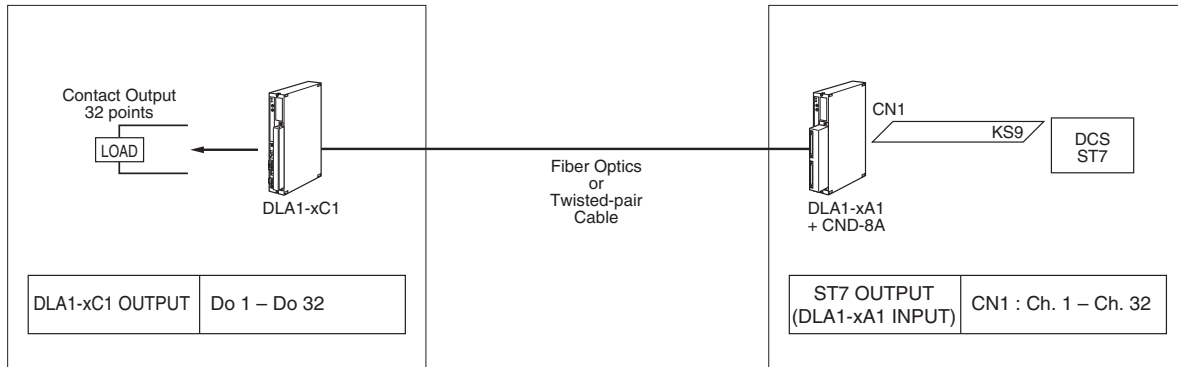
7. CONTACT INPUT → DLA1 → OMRON I/O RELAY TERMINAL



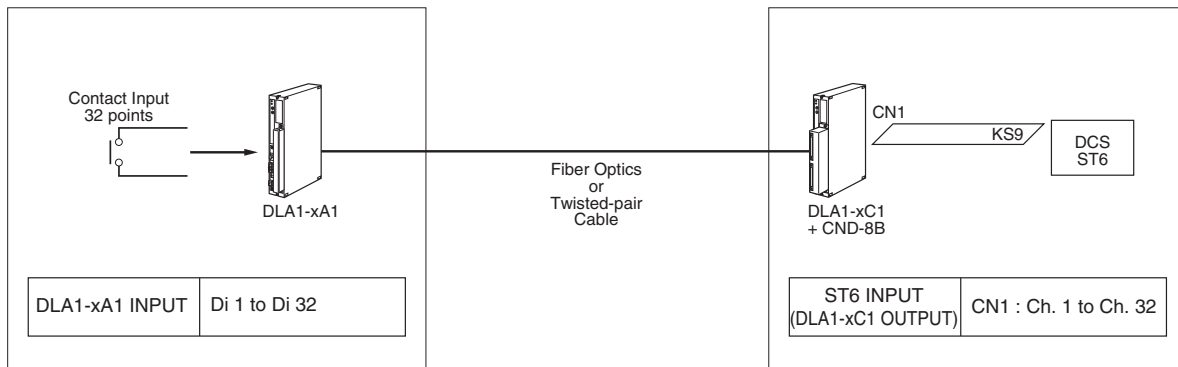
8. CONTACT INPUT → DLA1 → ST6 (contact input 32 ch. x 2)



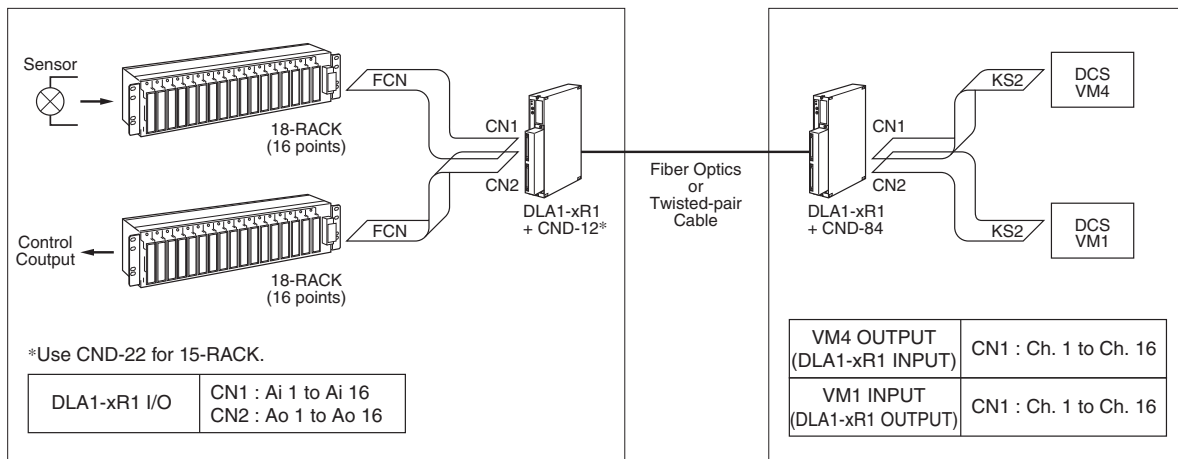
9. CONTACT OUTPUT ← DLA1 ← ST7 (contact output 32 ch.)



10. CONTACT INPUT → DLA1 → ST6 (contact input 32 ch. x 2)



11. 10 / 15 / 18-RACK ↔ DLA1 ↔ VM1 (analog input 16 ch.) VM4 (analog output 16 ch.)





Specifications are subject to change without notice.