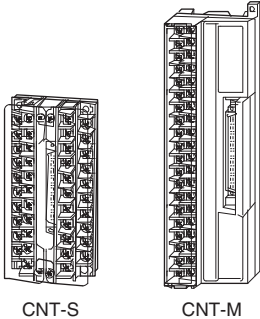


## CONNECTOR TERMINAL BLOCK

### Functions & Features

- Terminal board converting screw terminal wiring into a connector
- Convenient in conjunction with various racks



CNT-S

CNT-M

## PERFORMANCE

**Insulation resistance:**  $\geq 100 \text{ M}\Omega$  with 500 V DC (between circuits and ground)

**Dielectric strength:** 500 V AC @1 min. (between circuits)  
1000V AC @1 min. (between circuits and ground)

## MODEL: CNT-[1]

## ORDERING INFORMATION

- Code number: CNT-[1]

Specify a code from below for [1].

(e.g. CNT-S)

## [1] MODEL

**S:** 40 terminals (M4 screw)

**M:** 40 terminals (M3.5 screw)

## RELATED PRODUCTS

- Special cable with 40-pin connector (model: FCN)

## GENERAL SPECIFICATIONS

**Rating:** 125 V AC or DC, 1 A

**Connection**

### •Screw terminal

**CNT-S:** M4 screw terminals (torque 0.8 to 1.2 N·m)

**CNT-M:** M3.5 screw terminals (torque 0.8 to 1.2 N·m)

**Applicable wire size:**  $\leq 2 \text{ mm}^2$

### •Connector

FUJITSU 40-pin connector (FCN-364P040-AU)

## INSTALLATION

**Operating temperature:** -5 to +55°C (23 to 131°F)

**Operating humidity:** 30 to 90 %RH (non-condensing)

**Mounting**

**CNT-S:** Surface

**CNT-M:** Surface or DIN rail

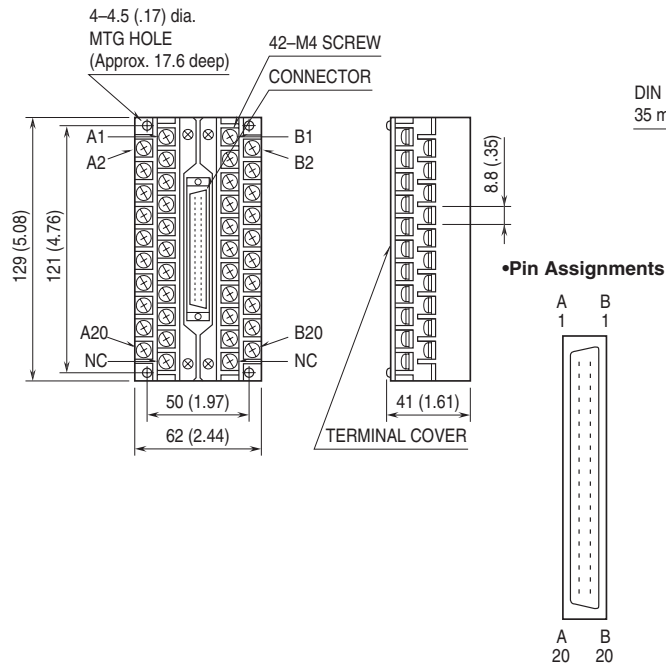
**Weight**

**CNT-S:** 350 g (0.77 lb)

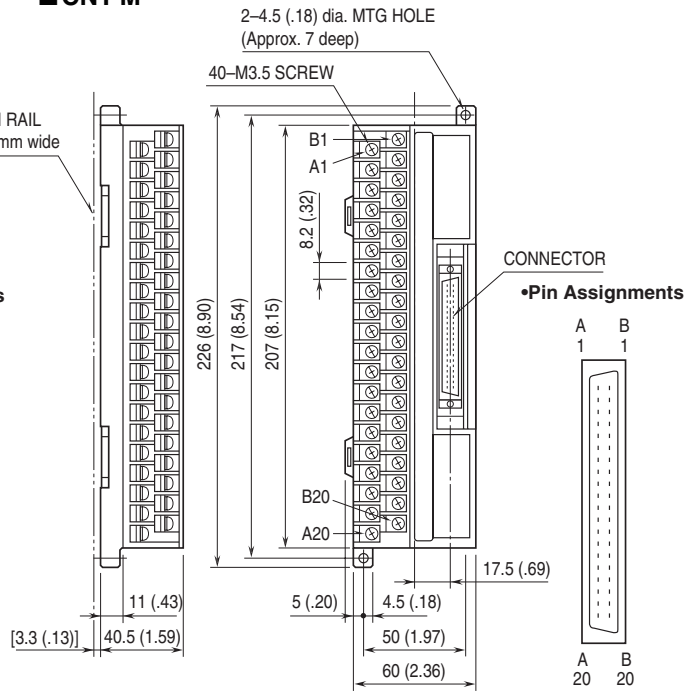
**CNT-M:** 280 g (0.62 lb)

## DIMENSIONS unit: mm (inch)

### ■ CNT-S



### ■ CNT-M



Specifications are subject to change without notice.