

INFRARED COMMUNICATION ADAPTOR

(PC Configurator use)

/C: 80g (2.8 oz)

/NL: 50g (1.8 oz)

Functions & Features

- Communication adaptor used to configure our products equipped with an infrared port (e.g. model 54U) from a PC
- USB connection to the PC

MODEL: COP-IRU[1]

ORDERING INFORMATION

- Code number: COP-IRU[1]

Specify a code from below for [1].

(e.g. COP-IRU/CL)

[1] OPTIONS

Holder (must be specified)

/CL: Adaptor with L Type holder

/C: Adaptor only

/NL: L Type holder only

■ AVAILABLE MODELS

/CL, /NL:

54U, 54UC, 54UL, 54Z, 47DAC, 47DM, 47DR, 47DT, 47DV

RELATED PRODUCTS

- Driver software

Software downloadable at our web site.

GENERAL SPECIFICATIONS

Connection: USB Type A connector

Housing material: Resin (black)

COMMUNICATION

Standard: USB

Infrared communication distance: Max. 1 meter

CONNECTED DEVICE

USB: PC/AT compatible

OS (Windows 11 (64-bit), Windows 10 (32-bit, 64-bit))

Infrared: Our related infrared products.

INSTALLATION

Supply voltage: 4.75 – 5.25 V DC, approx. 100 mA

(supplied through USB port)

Operating temperature: -5 to +60°C (23 to 140°F)

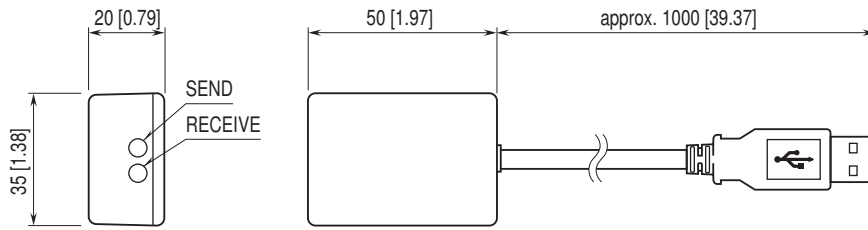
Operating humidity: 30 to 90 %RH (non-condensing)

Weight:

/CL: 130g (4.6 oz)

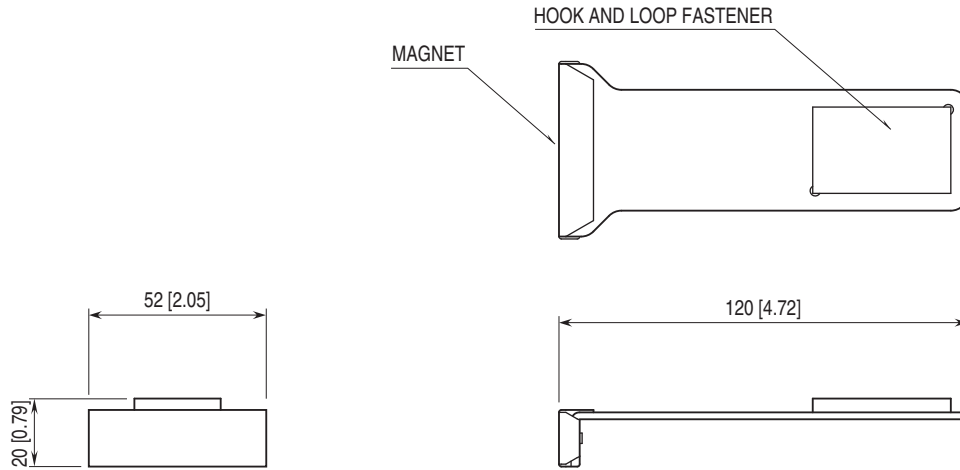
EXTERNAL DIMENSIONS unit: mm [inch]

■ COMMUNICATION ADAPTOR



■ HOLDER

• L Type



Specifications are subject to change without notice.