

RS CABLE

(FCN flat type)

MODEL: DCN2-[1]

ORDERING INFORMATION

- Code number: DCN2-[1]

Specify a code from below for [1].

(e.g. DCN2-03)

[1] CABLE LENGTH

02: 20 cm (7.9 in.)

03: 30 cm (11.8 in.)

RELATED PRODUCTS

- Modem
Model: MOD, MOD1, MOD2, MOD3x, MOD5, MOD6, MOD7, MOD8, MOD4 (discontinued)
- NCU modem
Model: MOC2
- Modem interface
Model: SMDM, SMDT, SMM, DLS

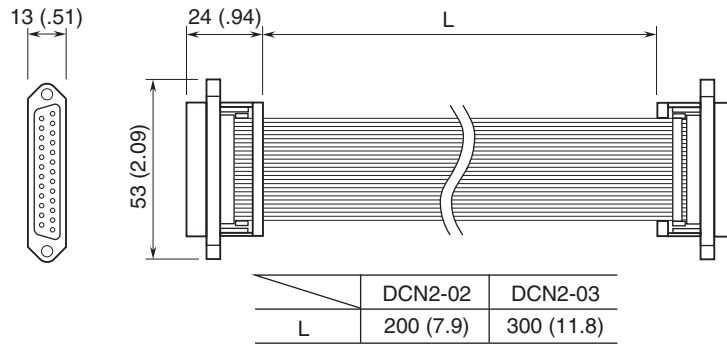
GENERAL SPECIFICATIONS

Connector model: FCN-777P025-G/A

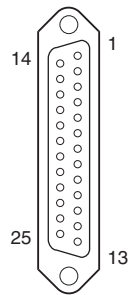
Cable: Flat cable with 25 core wires

Dielectric strength: 500 V AC @ 1 minute

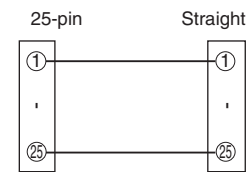
EXTERNAL DIMENSIONS & CONNECTOR PIN ASSIGNMENT unit: mm (inch)



■ CONNECTOR PIN ASSIGNMENT



■ WIRING DIAGRAM



Specifications are subject to change without notice.