

## SPECIAL CABLE

(for DHN use)

## MODEL: DCN3-20

### ORDERING INFORMATION

- Code number: DCN3-20

### CABLE LENGTH

20: 2 m (6.6 ft.)

### RELATED PRODUCTS

- Switching module (model: DHN)

### GENERAL SPECIFICATIONS

#### 9-pin Connector Model

- Connector: HDEB-9P
- Cover: HDE-CTF1

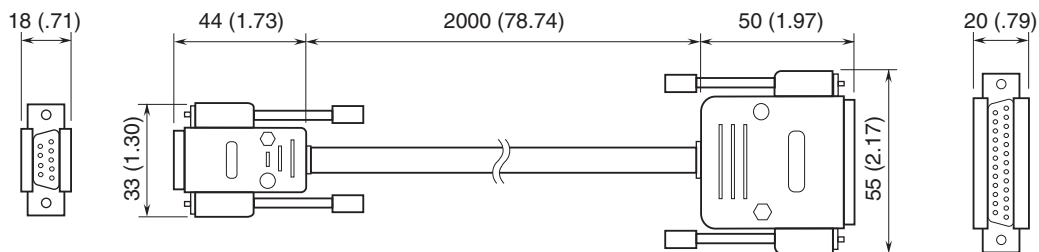
#### 25-pin Connector Model

- Connector: HDBB-25P
- Cover: HDB-CTF1

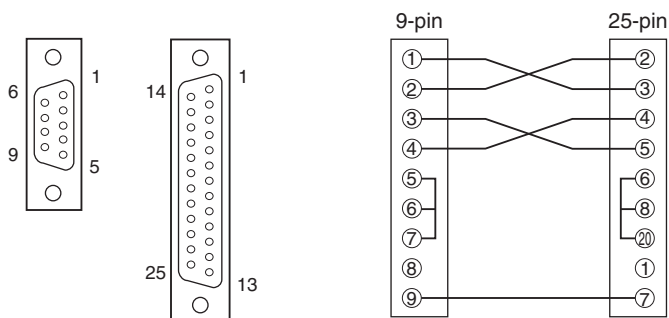
Cable: Shielded cable with 10 core wires

Dielectric strength: 1000 V AC @ 1 minute

### EXTERNAL DIMENSIONS & CONNECTOR PIN ASSIGNMENT unit: mm (inch)



#### ■ CONNECTOR PIN ASSIGNMENT ■ WIRING DIAGRAM





Specifications are subject to change without notice.