

## RS CABLE

(D-sub 9-pin to 25-pin, shielded)

## MODEL: DCN6-10

### ORDERING INFORMATION

- Code number: DCN6-10

## CABLE LENGTH

10: 1 m (3.3 ft.)

### RELATED PRODUCTS

- Wireless modem  
Model: RMD, RMD2
- Modem interface  
Model: SMDM, SMDT, SMM

### GENERAL SPECIFICATIONS

#### 9-pin Connector Model

- Connector: HDEB-9S
- Cover: HDE-CTF1

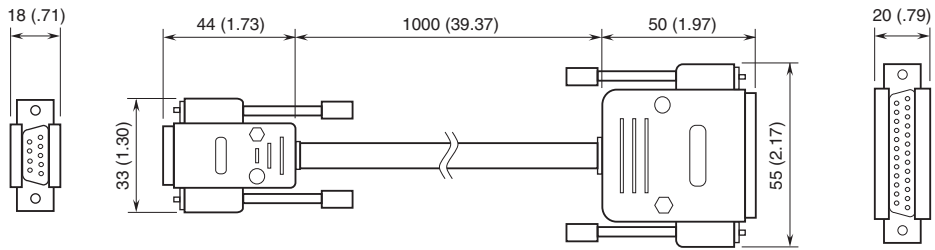
#### 25-pin Connector Model

- Connector: HDBB-25P
- Cover: HDB-CTF1

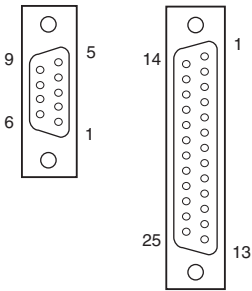
**Cable:** Shielded cable with 10 core wires

**Dielectric strength:** 1000 V AC @ 1 minute

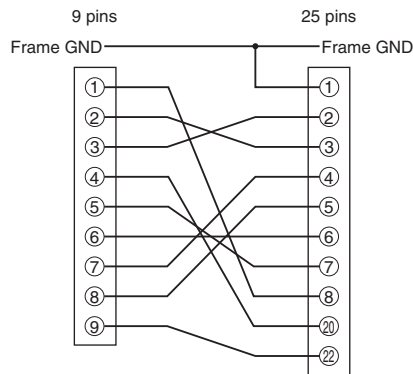
## EXTERNAL DIMENSIONS & CONNECTOR PIN ASSIGNMENT unit: mm (inch)



### •CONNECTOR PIN ASSIGNMENTS



### •WIRING DIAGRAM



Specifications are subject to change without notice.