

## RS CABLE

(for 71M4-S2 use)

### Model: DCN7-[1]

#### ORDERING INFORMATION

- Code number: DCN7-[1]

Specify a code from below for [1].

(e.g. DCN7-20)

#### [1] CABLE LENGTH

20: 2 m (6.6 ft.)

50: 5 m (16.4 ft.)

#### RELATED PRODUCTS

- Remote I/O interface (model: 22LC1, production discontinued)
- Remote I/O interface (model: 71M4-S2)

#### GENERAL SPECIFICATIONS

##### Side A Connector Model

- Connector: HDEB-9S
- Cover: HDE-CTF1

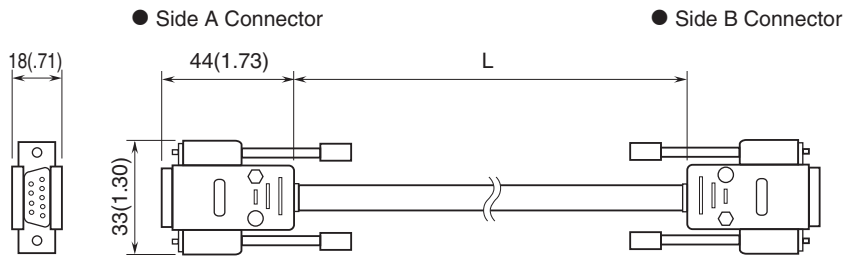
##### Side B Connector Model

- Connector: HDEB-9P
- Cover: HDE-CTF1

Cable: 9-core shielded cable

Dielectric strength: 1000 V AC @ 1 minute

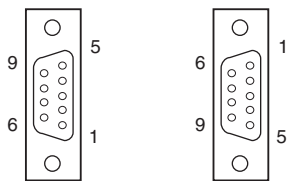
## EXTERNAL DIMENSIONS & CONNECTOR PIN ASSIGNMENT unit: mm (inch)



	DCN7-20	DCN7-50
L	2000 (78.7)	5000 (196.9)

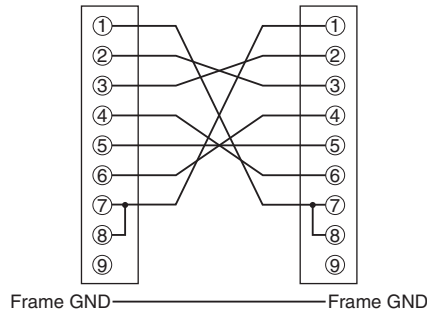
### CONNECTOR PIN ASSIGNMENT

● Side A Connector    ● Side B Connector



### WIRING DIAGRAM

● Side A Connector 9-pin, female side    ● Side B Connector 9-pin, male side



Specifications are subject to change without notice.