

## RS CABLE

(for WM51 use)

## MODEL: DCN8-100

### ORDERING INFORMATION

- Code number: DCN8-100

### CABLE LENGTH

**100:** 10 m (32.8 ft.) (power supply cable length not included)

### RELATED PRODUCTS

- Long-distance wireless modem (OMRON)  
Model: WM51-SLP
- Modem interface  
Model: SMDM, SMDT, SMM
- Modem interface module  
Model: D3-LR4, D3-LR5

### GENERAL SPECIFICATIONS

#### Connector model

- **Modem side:** HR22-12WTPA-20SC (Hirose Electric)
- **Modem interface side:** 17JE-25H-1A (DDK Ltd.)

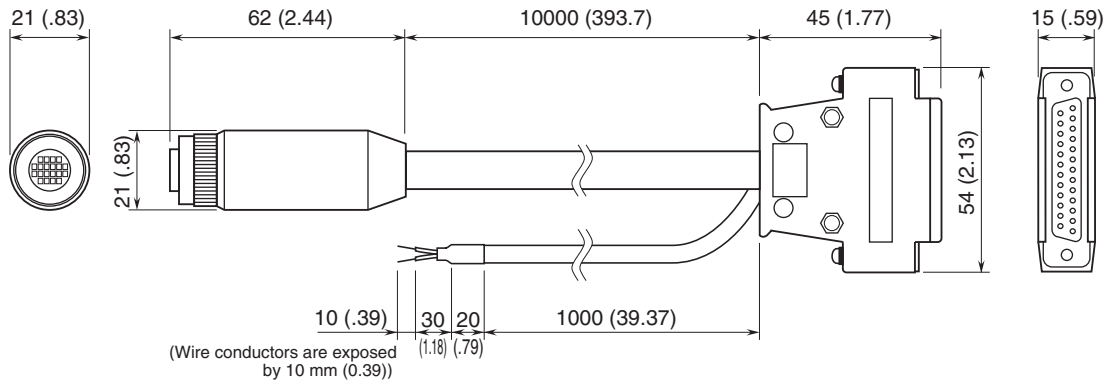
**Cable:** 12-core (9 used)

Core wire standard AWG #24

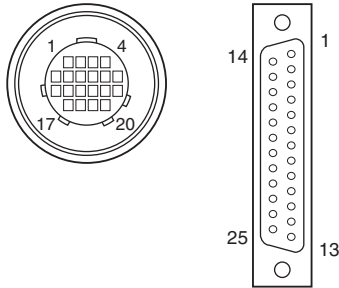
Field dedicated cable

**Dielectric strength:** 1000 V AC @ 1 minute

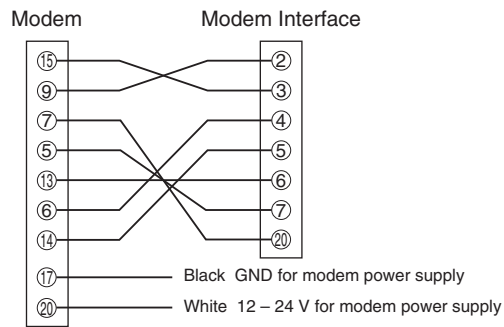
## EXTERNAL DIMENSIONS & CONNECTOR PIN ASSIGNMENT unit: mm (inch)



### ■ CONNECTOR PIN ASSIGNMENT



### ■ WIRING DIAGRAM



Specifications are subject to change without notice.