

## Plug-in Signal Conditioners M-UNIT

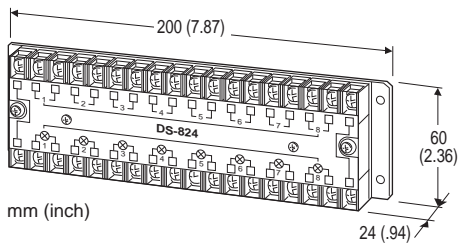
### 8-CH. CURRENT LOOP SUPPLY

#### Functions & Features

- Powering eight 4 – 20 mA DC current loops
- Supplying 24 V DC
- Space-saving 8-channel capacity
- Shortcircuit protection
- Smart transmitter applicable

#### Typical Applications

- Various two-wire transmitters



## MODEL: DS-824-R

### ORDERING INFORMATION

- Code number: (e.g. DS-824-R)

### NO. OF CHANNELS

8: 8 points

### SUPPLY OUTPUT

24: 24 V DC

### POWER INPUT

DC Power

R: 24 V DC

### GENERAL SPECIFICATIONS

**Construction:** Wall-mounted terminal block

**Connection:** M3.5 screw terminals

**Number of loops:** 8

### SUPPLY OUTPUT

**Output voltage:** 15 – 21 V DC

= power input - [internal voltage drop + loss at the receiving resistor]

**Current rating:** ≤ 22 mA DC

- **Shortcircuit Protection**

**Current limited:** 30 mA max.

**Protected time duration:** No limit

### INPUT SPECIFICATIONS

- **DC Current:** 4 – 20 mA DC

Input resistance: 250 Ω resistor incorporated

### OUTPUT SPECIFICATIONS

- **DC voltage:** 1 – 5 V DC

Load resistance: ≥ 250 kΩ

### INSTALLATION

#### Power input

- **DC:** 24 V DC ±10 % (ripple 10 % p-p max.)

[loop current + approx. 4 mA] per channel

**Operating temperature:** -5 to +60°C (23 to 140°F)

**Operating humidity:** 30 to 90 %RH (non-condensing)

**Mounting:** Surface

**Weight:** 380 g (0.84 lb)

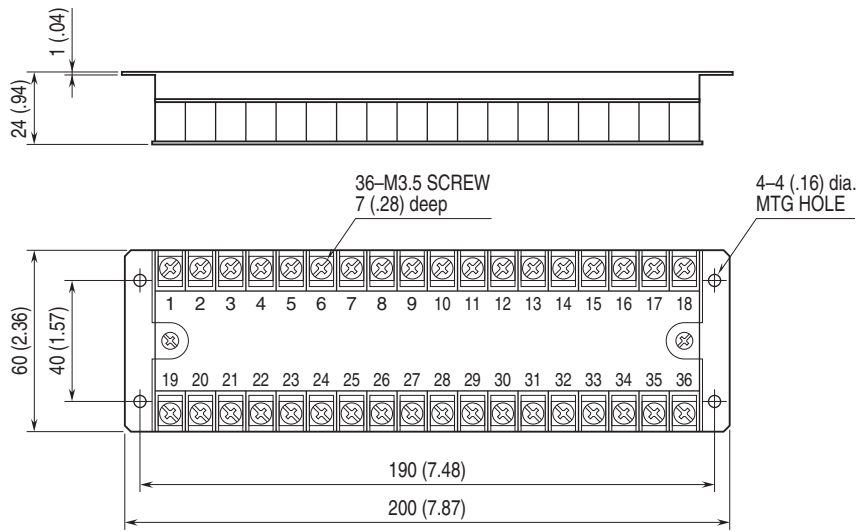
### PERFORMANCE in percentage of span

**Accuracy:** ±0.1 % (accuracy of the receiving resistor)

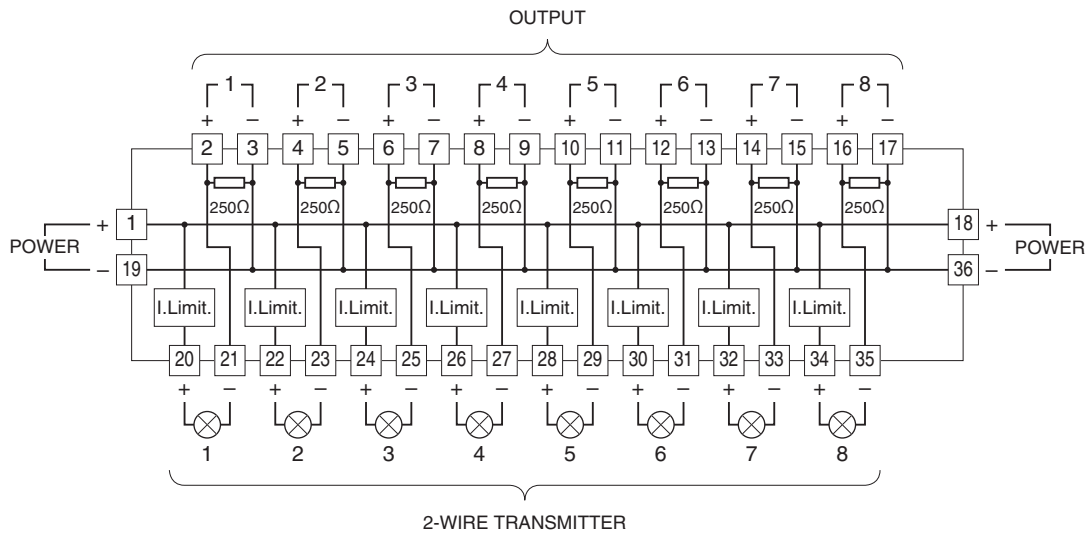
**Temp. coefficient:** ±0.003 %/°C (±0.002 %/°F) (temp. coefficient of the receiving resistor)

**Line voltage effect to supply output:** ±3 % over voltage range

**EXTERNAL DIMENSIONS & TERMINAL ASSIGNMENTS** unit: mm [inch]



**SCHEMATIC CIRCUITRY & CONNECTION DIAGRAM**



Specifications are subject to change without notice.