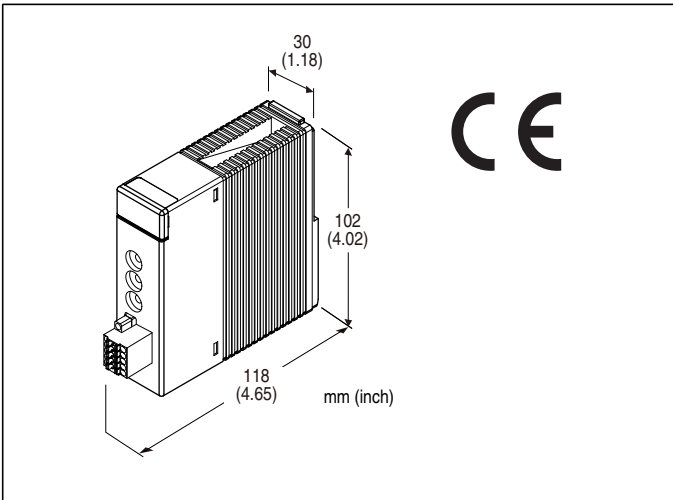


Remote I/O FAM Series

CC-Link MASTER MODULE

(Yokogawa Electric PLC use)



MODEL: FAMCL-01

ORDERING INFORMATION

- Code number: FAMCL-01

RELATED PRODUCTS

- Yokogawa Electric PLC: FA-M3V
Recommended CPU module: F3SP71-4S, F3SP76-7S, F3SP22
- Configurator software (model: FAMCLCFG)
Configurator software downloadable at our web site. In order to use FAMCLCFG, YOKOGAWA Electric Corporation 'WideField3' (R.3.02 or later) is required. FAMCL-01 and a PC are connected through the CPU unit of FA-M3V.

PACKAGE INCLUDES...

- Terminating resistor 110Ω (0.5W): 2 pcs.

GENERAL SPECIFICATIONS

Connection

CC-Link: Separable tension clamp terminal

Cable connector: TFMC1,5 / 5-STF-3,5

(Phoenix Contact) (included in the package)

Applicable wire size: 0.2 – 1.5 mm²; stripped length 10 mm

Recommended solderless terminal

- AI0,25–10YE 0.25 mm² (Phoenix Contact)
- AI0,34–10TQ 0.34 mm² (Phoenix Contact)
- AI0,5–10WH 0.5 mm² (Phoenix Contact)
- AI0,75–10GY 0.75 mm² (Phoenix Contact)
- A1–10 1.0 mm² (Phoenix Contact)

- A1,5–10 1.5 mm² (Phoenix Contact)

Internal bus: Via the Installation Base

Internal Power: Via the Installation Base

Max. installable module: 2

Installable unit: Main unit and sub unit

Isolation: CC-Link or FG to internal bus or internal power

Status indicator LEDs:

- RDY, RUN, LRUN, SD, RD: Green LED
- ERR, LERR: Red LED

CC-Link COMMUNICATION

CC-Link: Ver. 1.10/2.00

Master function: Master station (local station, standby master station not supported)

Station address: 00 (Use with '00'. Works as '00' even set to other than '00'.)

Supported slave station:

Remote I/O station

Remote device station (Ver. 1.10)

Remote device station (Ver. 2.00)

Intelligent device station, local station not supported

Max. number of units connected:

64 (Remote I/O station)

42 (Remote device station)

Max. number of link points:

RX: 8192 (Data unit: bit)

RY: 8192 (Data unit: bit)

RWr: 2048 (Data unit: word)

Rww: 2048 (Data unit: word)

Protocol: CC-Link Ver. 1.10 conformed

Network topology: Multi-drop

Max. overall cable extension length:

100 m (10 Mbps), 160 m (5 Mbps),

400 m (2.5 Mbps), 900 m (625 kbps),

1200 m (156 kbps)

Transmission media: CC-Link Ver. 1.10 compatible cable

Operational station: Master station

Operational mode: On-line mode

Communication mode: Cyclic transmission

Baud rate: 156 kbps, 625 kbps, 2.5 Mbps, 5 Mbps, 10 Mbps, set with rotary switch

Slave station settings: With configurator software (model: FAMCLCFG)

INSTALLATION

Current consumption: 600 mA @ 5V DC

Operating temperature: 0 to 55°C (32 to 131°F)

Operating humidity: 10 to 90 %RH (non-condensing)

Atmosphere: No corrosive gas or heavy dust

Mounting: Installation Base Module (model: F3BUxx-0N or F3BU05-0D)

Weight: 150 g (0.33 lb)

PERFORMANCE

Insulation resistance: $\geq 100 \text{ M}\Omega$ with 500 V DC

Dielectric strength: 1500 V AC @ 1 minute (CC-Link or FG to internal bus or internal power)

STANDARDS & APPROVALS

EU conformity:

EMC Directive

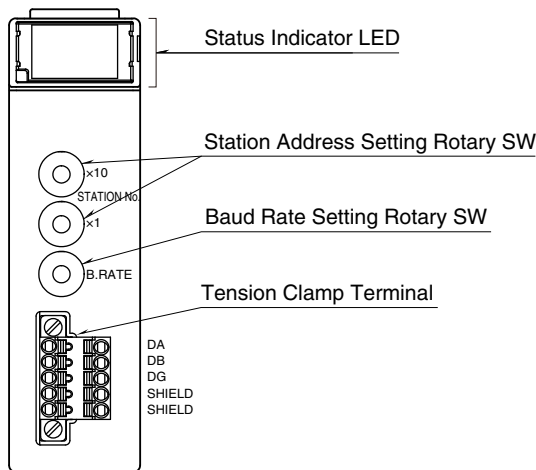
EMI EN 61000-6-4

EMS EN 61000-6-2

RoHS Directive

EXTERNAL VIEW

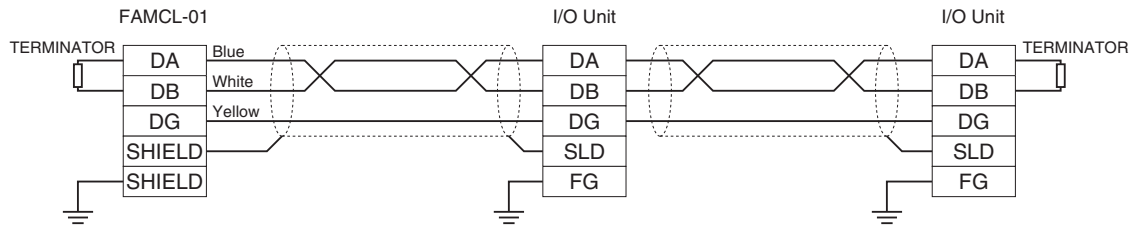
FRONT VIEW



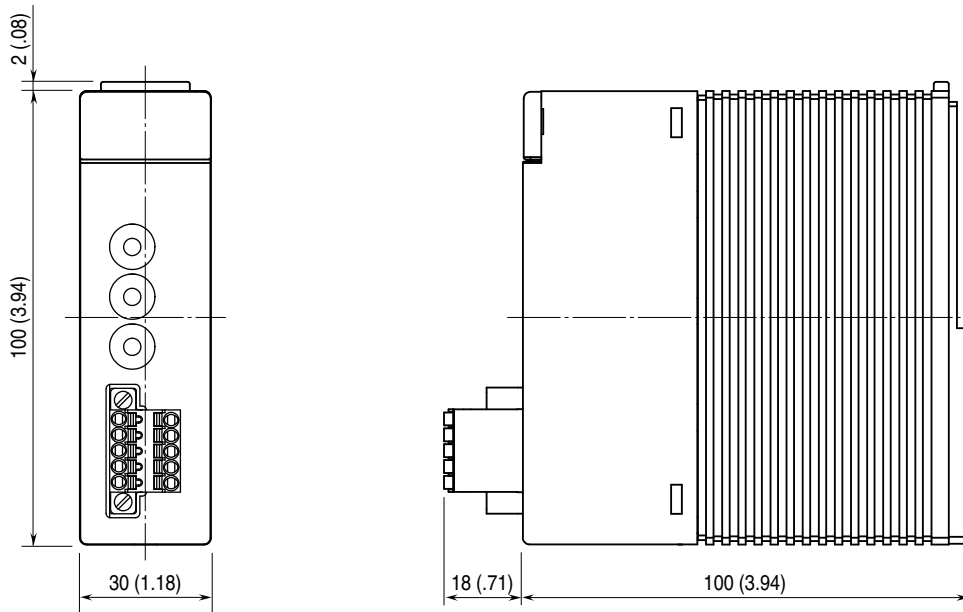
STATUS INDICATOR LED

ID	STATUS	COLOR	FUNCTION
RDY	ON	Green	FA-M3 internal communication normal
RUN	ON	Green	In cyclic transmission, FAMCL internal communication normal
	Blinking	Green	Self diagnostics error
ERR	ON	Red	Communication error
	Blinking		Slave station data link error
LRUN	ON	Green	Data link running
LERR	ON	Red	Data link intercommunication error
SD	ON	Green	Transmitting data
RD	ON	Green	Receiving data

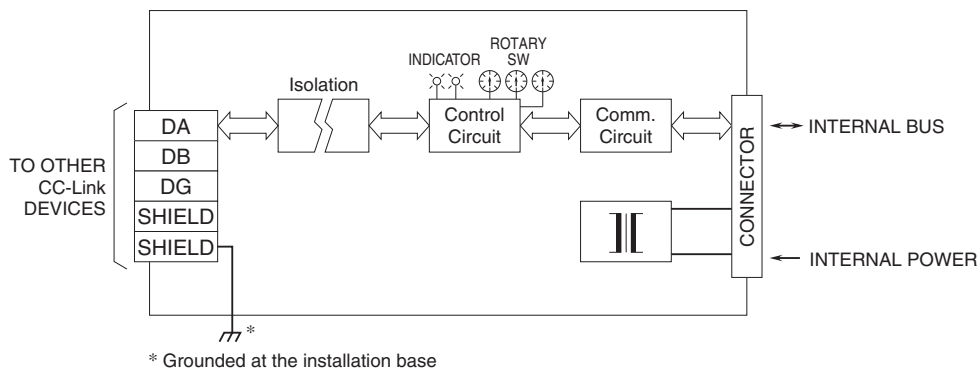
COMMUNICATION CABLE WIRING



EXTERNAL DIMENSIONS unit: mm [inch]



SCHEMATIC CIRCUITRY & CONNECTION DIAGRAM



Specifications are subject to change without notice.