

Space-saving Plug-in Signal Conditioners F-UNIT

LINEARIZER

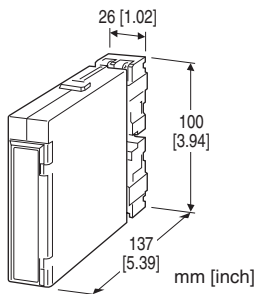
(field-programmable)

Functions & Features

- Accepting non-linear input and providing a linearized output, proportional to the process variables
- Micro-processor based
- On-site calibration up to 16 points using a hand-held programmer PU-2x
- Field-programmable input range
- High-density mounting

Typical Applications

- V-notch weir
- Gas analyzer
- Irregular-shaped tank level input for volume calculation



MODEL: FJFX-[1][2]-[3][4]

ORDERING INFORMATION

- Code number: FJFX-[1][2]-[3][4]

Specify a code from below for each of [1] through [4].

- (e.g. FJFX-6A-L/Q)
- Special input range (For codes U1, U2 & U3)
- Linearization data (max. 16 points)

Use Ordering Information Sheet (No. ESU-1669) to specify linearization data when the I/O signals are nonlinear.

- Specify the specification for option code /Q (e.g. /C01/S01)

[1] INPUT

Current

- A:** 4 - 20 mA DC (Input resistance 250 Ω)
- H:** 10 - 50 mA DC (Input resistance 100 Ω)

Voltage

- 6:** 1 - 5 V DC (Input resistance 1 MΩ min.)
- U1:** Range ±100 mV; (Minimum span 3 mV, Input resistance 20 kΩ min.)
- U2:** Range ±1000 mV;

(Minimum span 30 mV, Input resistance 20 kΩ min.)

U3: Range ±10 V;

(Minimum span 0.3 V, Input resistance 1 MΩ min.)

[2] OUTPUT

Current

A: 4 - 20 mA DC (Load resistance 600 Ω max.)

Voltage

6: 1 - 5 V DC (Load resistance 500 Ω min.)

[3] POWER INPUT

AC Power

K: 85 - 132 V AC

(Operational voltage range 85 - 132 V, 47 - 66 Hz)

L: 170 - 264 V AC

(Operational voltage range 170 - 264 V, 47 - 66 Hz)

DC Power

R: 24 V DC

(Operational voltage range 24 V ±10 %, ripple 10 %p-p max.)

P: 110 V DC

(Operational voltage range 85 - 150 V, ripple 10 %p-p max.)

[4] OPTIONS

blank: none

/Q: With options (specify the specification)

SPECIFICATIONS OF OPTION: Q (multiple selections)

COATING (For the detail, refer to our web site.)

/C01: Silicone coating

/C02: Polyurethane coating

/C03: Rubber coating

TERMINAL SCREW MATERIAL

/S01: Stainless steel

RELATED PRODUCTS

- Programming Unit (model: PU-2x)
- PC configurator software (model: JXCON)

Downloadable at our web site.

A dedicated cable is required to connect the module to the PC. Please refer to the internet software download site or the users manual for the PC configurator for applicable cable types.

GENERAL SPECIFICATIONS

Construction: Plug-in

Connection: M3.5 screw terminals (torque 0.8 N·m)

Screw terminal: Nickel-plated steel (standard) or stainless steel

Housing material: Flame-resistant resin (black)

Isolation: Input to output to power

Linearization: 16 points max. within the range of -15.00 – +115.00 % input or output; represented as percentage of full-scale

Adjustments: Programming Unit (model: PU-2x)
(Refer to the users manual of JXCON for the adjustments configurable with JXCON.)

- Linearization data
- Input range
- Zero and span
- Simulating output
- Others

Input range can be changed with Codes U1, U2 or U3 and limited within ranges of each code type.

500 V AC @ 1 minute (I/O to power)

Power input code K, L, P:

1000 V AC @ 1 minute (input to output)

2000 V AC @ 1 minute (input or output or power to ground)

1500 V AC @ 1 minute (I/O to power)

INPUT SPECIFICATIONS

■ DC Current:

Shunt resistor attached to the input terminals (0.5 W)

■ DC Voltage: -10 – +10 V DC

Minimum span: 3 mV

Offset: Max. 3 times span

Input resistance (Input Range: Input Resistance)

U1: ±100 mV

U2: ±1000 mV

U3: ±10 V

Default setting will be used if not otherwise specified.

U1: 0 – 100 mV DC

U2: 0 – 1 V DC

U3: 0 – 10 V DC

INSTALLATION

Power input

•AC: Approx. 4.5 VA

•DC: 24 V approx. 70 mA

110 V approx. 20 mA

Operating temperature: -5 to +55°C (23 to 131°F)

Operating humidity: 30 to 90 %RH (non-condensing)

Mounting: Surface or DIN rail; Standard Rack Mounting

Frame BX-16H available

Weight: 220 g (0.49 lb)

PERFORMANCE in percentage of span

Accuracy: ±0.1 % with segment gain ≤ 1 [±0.1 % × gain]
with segment gain > 1

Temp. coefficient: ±0.015 %/°C (±0.008 %/°F)

Response time: ≤ 0.5 sec. (0 – 90 %)

Line voltage effect: ±0.1 % over voltage range

Insulation resistance: ≥ 100 MΩ with 500 V DC

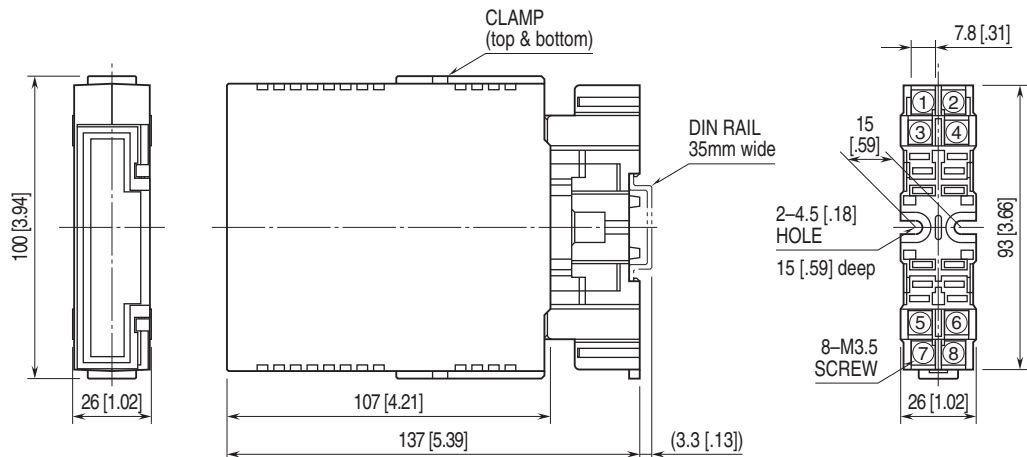
Dielectric strength

Power input code R:

1000 V AC @ 1 minute (input to output)

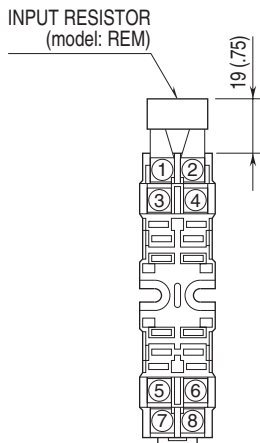
2000 V AC @ 1 minute (input or output or power to ground)

EXTERNAL DIMENSIONS unit: mm [inch]



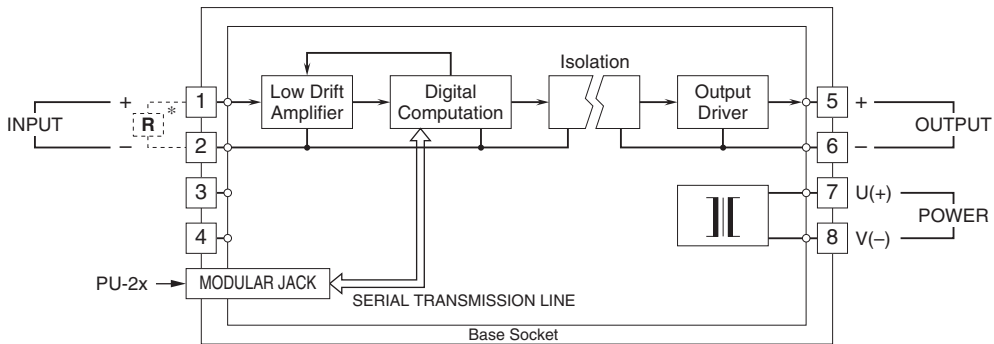
•When mounting, no extra space is needed between units.

TERMINAL ASSIGNMENTS unit: mm [inch]



Input shunt resistor attached for current input.

SCHEMATIC CIRCUITRY & CONNECTION DIAGRAM



*Input shunt resistor attached for current input.



Specifications are subject to change without notice.