

Space-saving Plug-in Signal Conditioners F-UNIT

SIGNAL TRANSMITTER

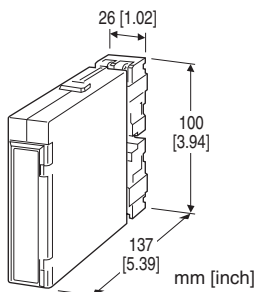
(field-programmable)

Functions & Features

- Converting a DC input into a standard process signal
- Micro-processor based
- Field-programmable input range
- Loop testing via hand-held programmer PU-2x
- High-density mounting

Typical Applications

- Isolation between control room and field instrumentation
- Ideal for quick spare part



MODEL: FJV-[1][2]-[3][4]

ORDERING INFORMATION

- Code number: FJV-[1][2]-[3][4]

Specify a code from below for each of [1] through [4].

- (e.g. FJV-6A-K/Q)
- Special input range (For codes U1, U2 & U3)
- Specify the specification for option code /Q (e.g. /C01/S01)

[1] INPUT

Current

A: 4 - 20 mA DC (Input resistance 250 Ω)

H: 10 - 50 mA DC (Input resistance 100 Ω)

Voltage

6: 1 - 5 V DC (Input resistance 1 MΩ min.)

U1: Range ±100 mV;

(Minimum span 3 mV, Input resistance 20 kΩ min.)

U2: Range ±1000 mV;

(Minimum span 30 mV, Input resistance 20 kΩ min.)

U3: Range ±10 V;

(Minimum span 0.3 V, Input resistance 1 MΩ min.)

[2] OUTPUT

Current

A: 4 - 20 mA DC (Load resistance 600 Ω max.)

Voltage

6: 1 - 5 V DC (Load resistance 500 Ω min.)

[3] POWER INPUT

AC Power

K: 85 - 132 V AC

(Operational voltage range 85 - 132 V, 47 - 66 Hz)

L: 170 - 264 V AC

(Operational voltage range 170 - 264 V, 47 - 66 Hz)

DC Power

R: 24 V DC

(Operational voltage range 24 V ±10 %, ripple 10 %p-p max.)

P: 110 V DC

(Operational voltage range 85 - 150 V, ripple 10 %p-p max.)

[4] OPTIONS

blank: none

/Q: With options (specify the specification)

SPECIFICATIONS OF OPTION: Q (multiple selections)

COATING (For the detail, refer to our web site.)

/C01: Silicone coating

/C02: Polyurethane coating

/C03: Rubber coating

TERMINAL SCREW MATERIAL

/S01: Stainless steel

RELATED PRODUCTS

- Programming Unit (model: PU-2x)
- PC configurator software (model: JXCON)

Downloadable at our web site.

A dedicated cable is required to connect the module to the PC. Please refer to the internet software download site or the users manual for the PC configurator for applicable cable types.

GENERAL SPECIFICATIONS

Construction: Plug-in

Connection: M3.5 screw terminals (torque 0.8 N·m)

Screw terminal: Nickel-plated steel (standard) or stainless steel

Housing material: Flame-resistant resin (black)

Isolation: Input to output to power

Overrange output: Approx. -10 to +120 % at 1 - 5 V

Adjustments: Programming Unit (model: PU-2x); Input range, zero and span, simulating output, etc.

(Input range can be changed with Codes U1, U2 or U3 and

limited within ranges of each code type.)
(Refer to the users manual of JXCON for the adjustments
configurable with JXCON.)

INPUT SPECIFICATIONS

■ DC Current:

Shunt resistor attached to the input terminals (0.5 W)

■ DC Voltage: -10 - +10 V DC

Minimum span: 3 mV

Offset: Max. 3 times span

Input resistance (Input Range: Input Resistance)

U1: ±100 mV

U2: ±1000 mV

U3: ±10 V

Default setting will be used if not otherwise specified.

U1: 0 - 100 mV DC

U2: 0 - 1 V DC

U3: 0 - 10 V DC

INSTALLATION

Power input

•AC: Approx. 4.5 VA

•DC: 24 V approx. 70 mA

110 V approx. 20 mA

Operating temperature: -5 to +55°C (23 to 131°F)

Operating humidity: 30 to 90 %RH (non-condensing)

Mounting: Surface or DIN rail; Standard Rack Mounting

Frame BX-16H available

Weight: 220 g (0.49 lb)

PERFORMANCE in percentage of span

Accuracy: ±0.1 %

Temp. coefficient: ±0.015 %/°C (±0.008 %/°F)

Response time: ≤ 0.5 sec. (0 - 90 %)

Line voltage effect: ±0.1 % over voltage range

Insulation resistance: ≥ 100 MΩ with 500 V DC

Dielectric strength

Power input code R:

1000 V AC @ 1 minute (input to output)

2000 V AC @ 1 minute (input or output or power to ground)

500 V AC @ 1 minute (I/O to power)

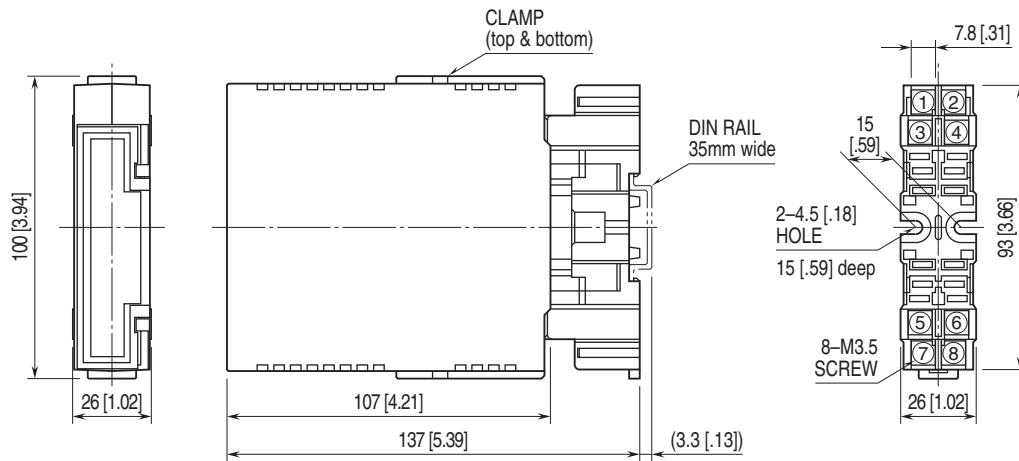
Power input code K, L, P:

1000 V AC @ 1 minute (input to output)

2000 V AC @ 1 minute (input or output or power to ground)

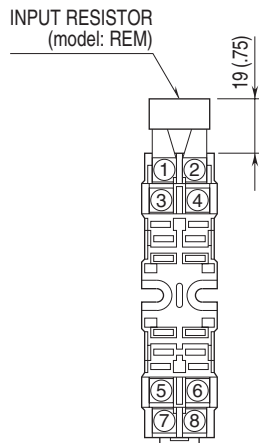
1500 V AC @ 1 minute (I/O to power)

EXTERNAL DIMENSIONS unit: mm [inch]



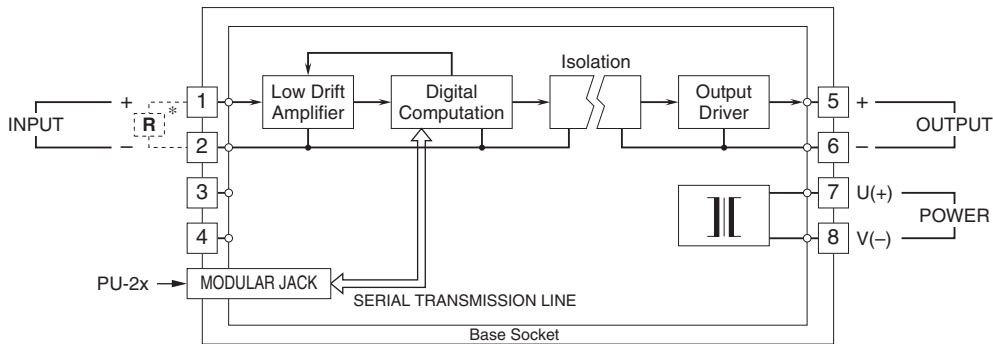
•When mounting, no extra space is needed between units.

TERMINAL ASSIGNMENTS unit: mm [inch]



Input shunt resistor attached for current input.

SCHEMATIC CIRCUITRY & CONNECTION DIAGRAM



*Input shunt resistor attached for current input.



Specifications are subject to change without notice.