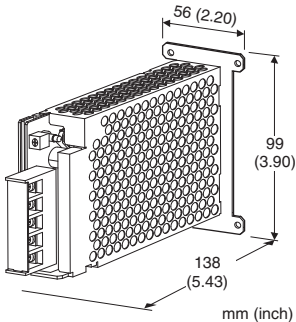


DC POWER SUPPLY

(module for the M8BS2-xx-M2)

Functions & Features

- Power supply module for the M8BS2



MODEL: HDC10-M2

ORDERING INFORMATION

- Code number: HDC10-M2

OUTPUT VOLTAGE

24 V DC

POWER INPUT

AC Power

M2: 100 - 240 V AC (Operational voltage range 85 - 264 V, 47 - 63 Hz)

PACKAGE INCLUDES...

- Ferrite core (model: GRFC-10) (Kitagawa Industries): 1 pce.
- M3 solderless terminal with insulation sleeve: 5 pcs.
- Wire binding: 1 pce.
- Cable tie mounts: 1 pce.

GENERAL SPECIFICATIONS

Connection

Power input: M3 screw terminals (torque 0.8 N·m)

Output: Via the Installation Base (model: M8BS2-xx-M2)

Isolation: Output to power to FG

SUPPLY OUTPUT

■ **Output voltage:** 24 V DC $\pm 10\%$, ripple 10 %p-p max.

Maximum load current: 2.2 A

Overload protection: Current restriction in the voltage drop characteristics (automatic recovery)

Overload voltage protection: No output; Recovers when the

power input is turned off and on.

INSTALLATION

Power Consumption

- AC: Approx. 5 VA

Operating temperature: 0 to 55°C (32 to 131°F)

Operating humidity: 30 to 85 %RH (non-condensing)

Mounting: Installation Base (model: M8BS2-xx-M2)

Weight: 450 g (0.99 lb)

PERFORMANCE % of output voltage

Temp. coefficient: $\pm 0.03\%$ /°C ($\pm 0.02\%$ /°F)

Load effect: 0.9% (load current: 0 - 2 A)

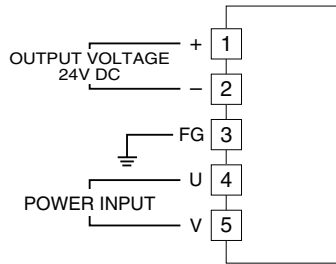
Insulation resistance: $\geq 100\text{ M}\Omega$ with 500 V DC

Dielectric strength: 2000 V AC @1 minute

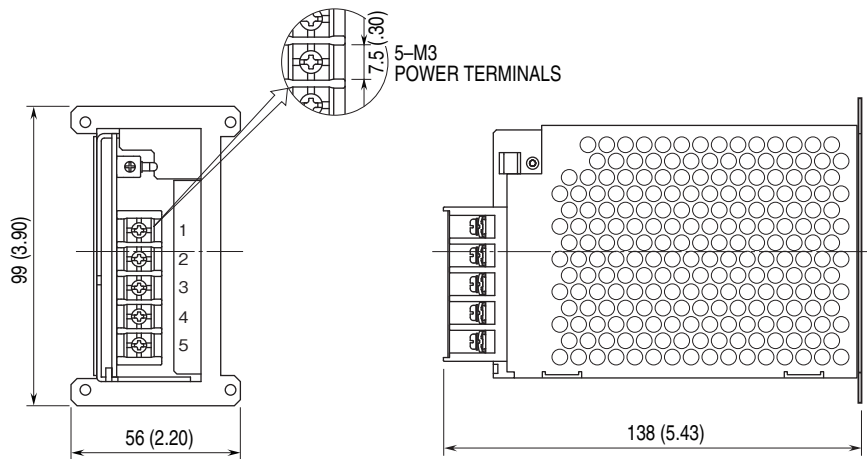
(power to output or FG)

500V AC @1 minute (output to FG)

CONNECTION DIAGRAM



EXTERNAL DIMENSIONS & TERMINAL ASSIGNMENTS unit: mm [inch]



Specifications are subject to change without notice.