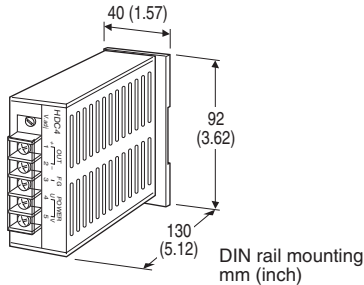


## DC POWER SUPPLY

### Functions & Features

- Accepting 85 - 132 V or 170 - 264 V AC and providing regulated 24 V DC output
- Rack & DIN rail mounting



## MODEL: HDC4-[1]-[2]

### ORDERING INFORMATION

- Code number: HDC4-[1]-[2]

Specify a code from below for each of [1] and [2].  
(e.g. HDC4-K-D)

### OUTPUT VOLTAGE

24 V DC

### [1] POWER INPUT

AC Power

**K:** 85 - 132 V AC

(Operational voltage range 85 - 132 V, 47 - 440 Hz)

**L:** 170 - 264 V AC

(Operational voltage range 170 - 264 V, 47 - 440 Hz)

### [2] MOUNTING

**R:** Rack

**D:** DIN rail

### GENERAL SPECIFICATIONS

**Construction:** Front terminal access; terminal cover provided

**Connection:** M4 screw terminals (torque 0.8 N·m)

**Screw terminal:** Nickel-plated brass

**Isolation:** output to power to FG

### SUPPLY OUTPUT

■ **Output voltage:** 24 V DC  $\pm 3\%$  (adjustable on the front panel), ripple 1.5 %p-p max.

**Typical load current:** 2.0 A

**Maximum load current:** 2.5 A @ 1 minute

**Overload protection:** Current restriction in the voltage drop characteristics (automatic recovery)

**Overload voltage protection:** No output; Recovers when the power input is turned off and on.

### INSTALLATION

**Operating temperature:** 0 to 50°C (32 to 122°F)

**Operating humidity:** 30 to 85 %RH (non-condensing)

#### Dimensions

**Rack mounting:** W36 × H99 × D126 mm  
(1.42" × 3.90" × 4.96")

**DIN rail mounting:** W40 × H92 × D130 mm  
(1.57" × 3.62" × 5.12")

#### Weight

**Rack mounting:** 420 g (0.93 lb)

**DIN rail mounting:** 300 g (0.66 lb)

### PERFORMANCE % of output voltage

**Temp. coefficient:**  $\pm 0.03\%$ /°C ( $\pm 0.02\%$ /°F)

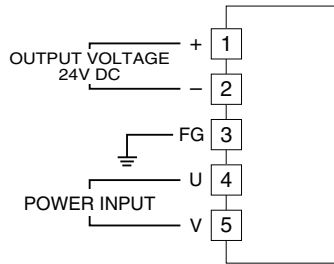
**Load effect:** 0.9% (load current: 0 - 2 A)

**Insulation resistance:**  $\geq 50\text{ M}\Omega$  with 500 V DC

**Dielectric strength:** 1500 V AC @ 1 minute for 85 - 132 V AC; 2500 V AC @ 1 minute for 170 - 264 V AC (output to power, power to FG)

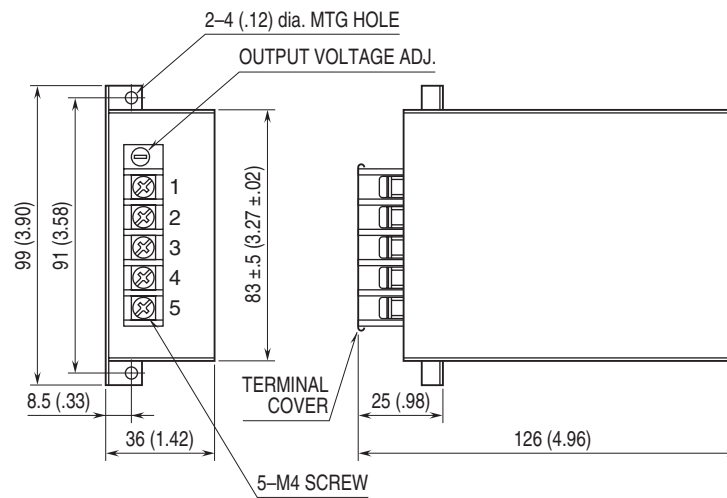
500 V AC @ 1 minute (output to FG)

## CONNECTION DIAGRAM

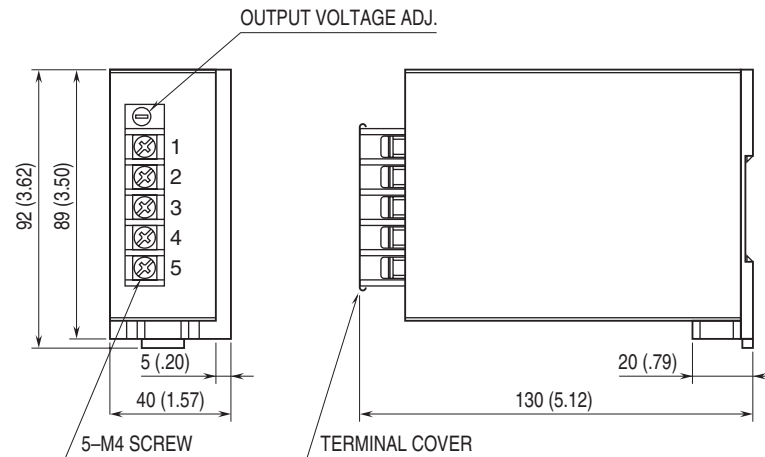


## EXTERNAL DIMENSIONS & TERMINAL ASSIGNMENTS unit: mm [inch]

### ■ RACK MOUNTING

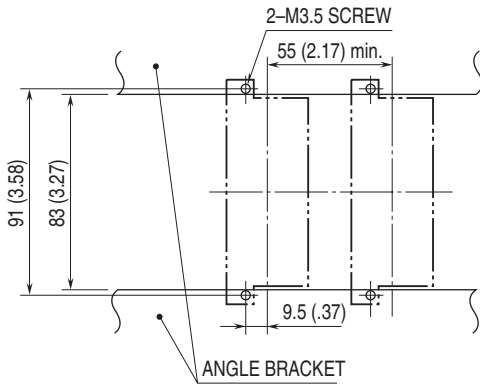


### ■ DIN RAIL MOUNTING

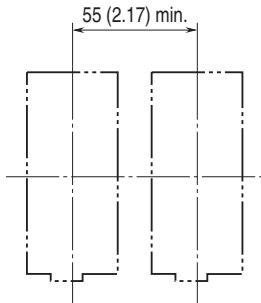


**MOUNTING REQUIREMENTS** unit: mm [inch]

■ RACK MOUNTING



■ DIN RAIL MOUNTING



Specifications are subject to change without notice.