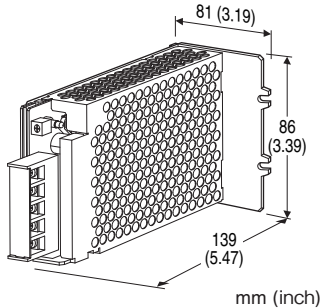


## DC POWER SUPPLY

(module for the M8BS1-xx-M2)

### Functions & Features

- Power supply module for the M8BS1



## MODEL: HDC9-M2

### ORDERING INFORMATION

- Code number: HDC9-M2

### OUTPUT VOLTAGE

24 V DC

### POWER INPUT

AC Power

**M2:** 100 - 240 V AC (Operational voltage range 85 - 264 V, 47 - 63 Hz)

### PACKAGE INCLUDES...

- Ferrite core (model: GRFC-10) (Kitagawa Industries): 1 pce.
- M3 solderless terminal with insulation sleeve: 5 pcs.
- Wire binding: 1 pce.
- Cable tie mounts: 1 pce.

### GENERAL SPECIFICATIONS

Connection

**Power input:** M3 screw terminals (torque 0.8 N·m)

**Output:** Via the Installation Base (model: M8BS1-xx-M2)

**Isolation:** Output to power to FG

### SUPPLY OUTPUT

■ **Output voltage:** 24 V DC  $\pm 10\%$ , ripple 10 %p-p max.

**Maximum load current:** 2.2 A

**Overload protection:** Current restriction in the voltage drop characteristics (automatic recovery)

**Overload voltage protection:** No output; Recovers when the power input is turned off and on.

### INSTALLATION

**Operating temperature:** 0 to 55°C (32 to 131°F)

**Operating humidity:** 30 to 85 %RH (non-condensing)

**Mounting:** Installation Base (model: M8BS1-xx-M2)

**Weight:** 580 g (1.28 lb)

### PERFORMANCE % of output voltage

**Temp. coefficient:**  $\pm 0.03\%$ /°C ( $\pm 0.02\%$ /°F)

**Load effect:** 0.9% (load current: 0 - 2 A)

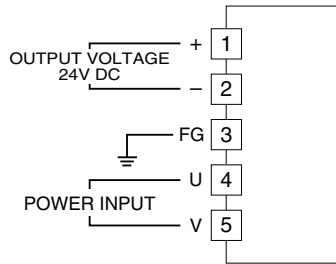
**Insulation resistance:**  $\geq 50\text{ M}\Omega$  with 500 V DC

**Dielectric strength:** 2000 V AC @1 minute

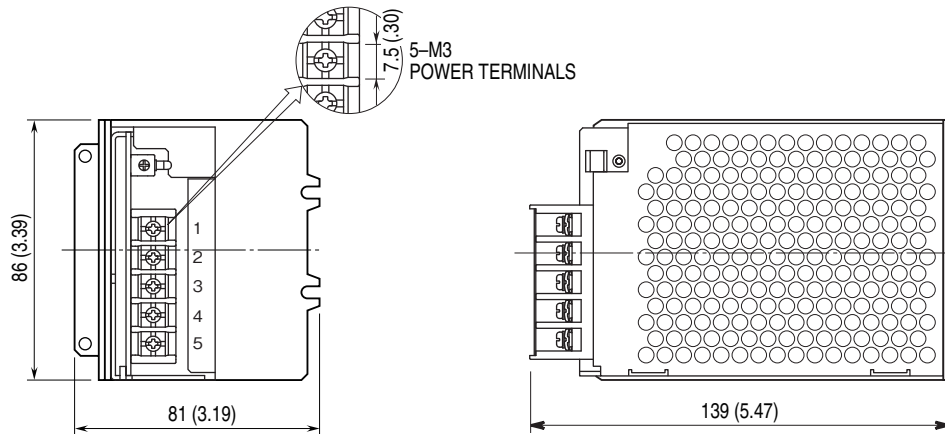
(power to output or FG)

500V AC @1 minute (output to FG)

**CONNECTION DIAGRAM**



**EXTERNAL DIMENSIONS & TERMINAL ASSIGNMENTS unit: mm [inch]**



Specifications are subject to change without notice.