

Space-saving Plug-in Signal Conditioners H-UNIT

LINEARIZER

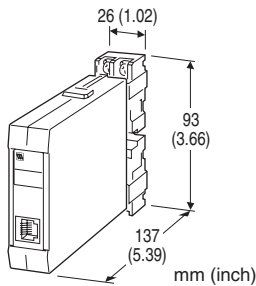
(field-programmable)

Functions & Features

- Accepting non-linear input and providing a linearized output, proportional to the process variables
- Micro-processor based
- On-site calibration up to 16 points using a hand-held programmer PU-2x
- Field-programmable input range
- High-density mounting

Typical Applications

- V-notch weir
- Gas analyzer
- Irregular-shaped tank level input for volume calculation



MODEL: HJFX-[1][2]-R[3]

ORDERING INFORMATION

- Code number: HJFX-[1][2]-R[3]

Specify a code from below for each of [1] through [3].
(e.g. HJFX-6A-R/Q)

- Special input range (For codes U1, U2 & U3)
- Linearization data (max. 16 points)

Use Ordering Information Sheet (No. ESU-1669) to specify linearization data when the I/O signals are nonlinear.

- Specify the specification for option code /Q
(e.g. /C01/S01)

[1] INPUT

Current

A: 4 - 20 mA DC (Input resistance 250 Ω)

H: 10 - 50 mA DC (Input resistance 100 Ω)

Voltage

6: 1 - 5 V DC (Input resistance 1 MΩ min.)

U1: Range ±100 mV;

(Minimum span 3 mV, Input resistance 20 kΩ min.)

U2: Range ±1000 mV;

(Minimum span 30 mV, Input resistance 20 kΩ min.)

U3: Range ±10 V;

(Minimum span 0.3 V, Input resistance 1 MΩ min.)

[2] OUTPUT

Current

A: 4 - 20 mA DC (Load resistance 600 Ω max.)

Voltage

6: 1 - 5 V DC (Load resistance 500 Ω min.)

POWER INPUT

DC Power

R: 24 V DC

(Operational voltage range 24 V ±10 %, ripple 10 %p-p max.)

[3] OPTIONS

blank: none

/Q: With options (specify the specification)

SPECIFICATIONS OF OPTION: Q (multiple selections)

COATING (For the detail, refer to our web site.)

/C01: Silicone coating

/C02: Polyurethane coating

/C03: Rubber coating

TERMINAL SCREW MATERIAL

/S01: Stainless steel

RELATED PRODUCTS

- Programming Unit (model: PU-2x)
- PC configurator software (model: JXCON)

Downloadable at our web site.

A dedicated cable is required to connect the module to the PC. Please refer to the internet software download site or the users manual for the PC configurator for applicable cable types.

GENERAL SPECIFICATIONS

Construction: Plug-in

Connection: M3.5 screw terminals (torque 0.8 N·m)

Screw terminal: Nickel-plated steel (standard) or stainless steel

Housing material: Flame-resistant resin (black)

Isolation: Input to output to power

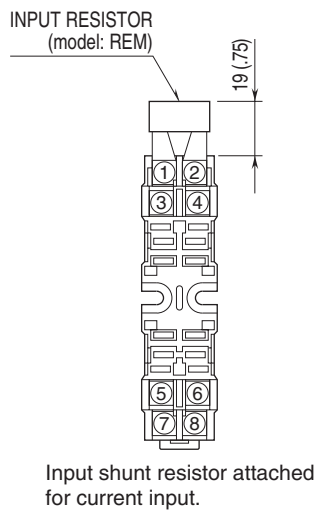
Linearization: 16 points max. within the range of -15.00 - +115.00 % input or output; represented as percentage of full-scale

Adjustments: Programming Unit (model: PU-2x)

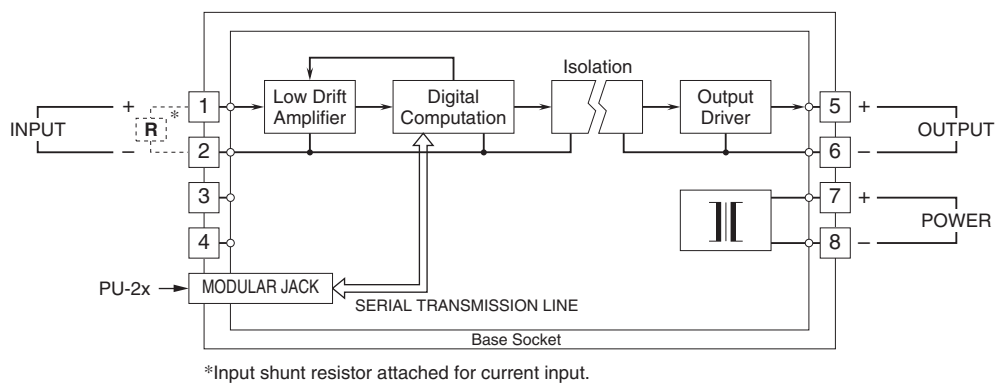
(Refer to the users manual of JXCON for the adjustments configurable with JXCON.)

- Linearization data

TERMINAL ASSIGNMENTS unit: mm [inch]



SCHEMATIC CIRCUITRY & CONNECTION DIAGRAM



Specifications are subject to change without notice.