

Final Control Elements

MANUAL OPERATION SPANNER

(for SERVO-TOP II models PSN1/PSN3/PSN1G)

Functions & Features

- Spanner used to manually operate the Servo-Top II models PSN1, PSN3 and PSN1G

MODEL: HPSN2-1

ORDERING INFORMATION

- Code number: HPSN2-1

HOLE SIZE

1: 8 mm (.31) sq.

GENERAL SPECIFICATIONS

Construction: Spanner (for 8 mm (.31) sq.)

Required turns

PSN1: approx. 24 turns / 10 mm

PSN3: approx. 25 turns / 10 mm

PSN1G: approx. 24 turns / 10 mm

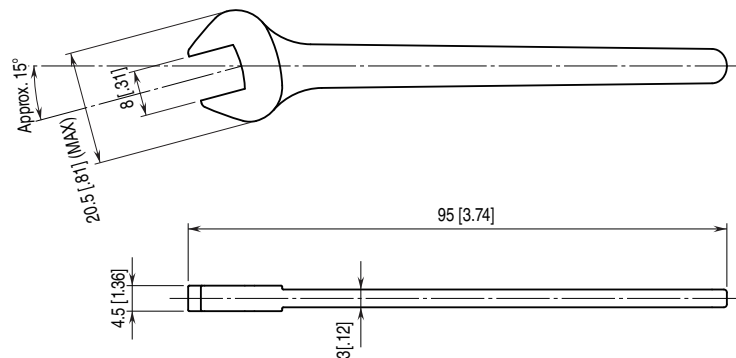
Torque:

1 N·m (PSN1 and PSN1G)

1.5 N·m (PSN3)

Weight: 23 g (.81 oz)

EXTERNAL DIMENSIONS unit: mm [inch]



Specifications are subject to change without notice.