

Space-saving Plug-in Signal Conditioners H-UNIT

N: N (Usable range -270 to +1300°C, -454 to +2372°F)
0: Specify

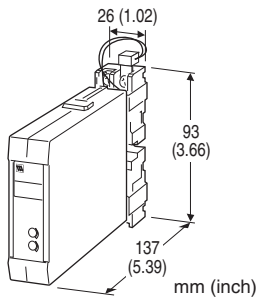
THERMOCOUPLE TRANSMITTER

Functions & Features

- Accepting direct input from a thermocouple and providing a standard process signal
- 5-segment linearization
- Burnout protection
- High-accuracy cold junction compensation
- Fast response type available
- High-density mounting

Typical Applications

- High-accuracy cold junction compensation benefits narrow span measurements
- 0.1 μ A burnout sensing enables long distance transmission with minimum offset drifts
- Electric furnace (isolation)
- No burnout type can connect to a single T/C in parallel with a recorder



MODEL: HTS-[1][2]-R[3]

ORDERING INFORMATION

- Code number: HTS-[1][2]-R[3]
- Specify a code from below for each of [1] through [3].
 (e.g. HTS-3A-R/K/BL/Q)
- Temperature range (e.g. 0 - 800°C)
 - Special output range (For codes Z & 0)
 - Specify the specification for option code /Q
 (e.g. /C01/S01)

[1] INPUT THERMOCOUPLE

- 1: (PR) (Usable Range 0 to 1760°C, 32 to 3200°F)
- 2: K (CA) (Usable range -270 to +1370°C, -454 to +2498°F)
- 3: E (CRC) (Usable range -270 to +1000°C, -454 to +1832°F)
- 4: J (IC) (Usable range -210 to +1200°C, -346 to +2192°F)
- 5: T (CC) (Usable range -270 to +400°C, -454 to +752°F)
- 6: B (RH) (Usable range 0 to 1820°C, 32 to 3308°F)
- 7: R (Usable range -50 to +1760°C, -58 to +3200°F)
- 8: S (Usable range -50 to +1760°C, -58 to +3200°F)

[2] OUTPUT

Current

- A:** 4 - 20 mA DC (Load resistance 750 Ω max.)
- B:** 2 - 10 mA DC (Load resistance 1500 Ω max.)
- C:** 1 - 5 mA DC (Load resistance 3000 Ω max.)
- D:** 0 - 20 mA DC (Load resistance 750 Ω max.)
- E:** 0 - 16 mA DC (Load resistance 900 Ω max.)
- F:** 0 - 10 mA DC (Load resistance 1500 Ω max.)
- G:** 0 - 1 mA DC (Load resistance 15 k Ω max.)
- Z:** Specify current (See OUTPUT SPECIFICATIONS)

Voltage

- 1: 0 - 10 mV DC (Load resistance 10 k Ω min.)
 - 2: 0 - 100 mV DC (Load resistance 100 k Ω min.)
 - 3: 0 - 1 V DC (Load resistance 1000 Ω min.)
 - 4: 0 - 10 V DC (Load resistance 10 k Ω min.)
 - 5: 0 - 5 V DC (Load resistance 5000 Ω min.)
 - 6: 1 - 5 V DC (Load resistance 5000 Ω min.)
- 0:** Specify voltage (See OUTPUT SPECIFICATIONS)

POWER INPUT

DC Power

R: 24 V DC

(Operational voltage range 24 V \pm 10 %, ripple 10 %p-p max.)

[3] OPTIONS (multiple selections)

Response Time (0 - 90 %)

blank: Standard (\leq 0.5 sec.)

/K: Fast Response (Approx. 25 msec.)

Burnout

blank: Upscale burnout

/BL: Downscale burnout

/BN: No burnout

Other Options

blank: none

/Q: Option other than the above (specify the specification)

SPECIFICATIONS OF OPTION: Q (multiple selections)

COATING (For the detail, refer to our web site.)

/C01: Silicone coating

/C02: Polyurethane coating

/C03: Rubber coating

TERMINAL SCREW MATERIAL

/S01: Stainless steel

GENERAL SPECIFICATIONS

Construction: Plug-in
Connection: M3.5 screw terminals (torque 0.8 N·m)
Screw terminal: Nickel-plated steel (standard) or stainless steel
Housing material: Flame-resistant resin (black)
Isolation: Input to output to power
Overrange output: Approx. -10 to +120 % at 1 - 5 V
Zero adjustment: -5 to +5 % (front)
Span adjustment: 95 to 105 % (front)
Linearization: Standard
Cold junction compensation: CJC sensor attached to the input terminals

INPUT SPECIFICATIONS

Minimum span: 3 mV
Offset: Max. 1.5 times span
Input resistance: 30 kΩ min.
Burnout sensing: 0.1 μA

Minimum span (in °C)
(PR): min. span 370°C
K (CA): min. span 75°C
E (CRC): min. span 50°C
J (IC): min. span 60°C
T (CC): min. span 75°C
B (RH): min. span 780°C
R: min. span 360°C
S: min. span 380°C
N: min. span 110°C

Minimum span (in °F)
(PR): min. span 670°F
K (CA): min. span 140°F
E (CRC): min. span 90°F
J (IC): min. span 110°F
T (CC): min. span 140°F
B (RH): min. span 1410°F
R: min. span 650°F
S: min. span 690°F
N: min. span 200°F

Note: The described accuracy may be partially not satisfied when the temperature ranges below 0°C. Consult factory.

OUTPUT SPECIFICATIONS

■ **DC Current:** 0 - 20 mA DC
Minimum span: 1 mA
Offset: Max. 1.5 times span
Load resistance: Output drive 15 V max.
 ■ **DC Voltage:** -10 - +12 V DC

Minimum span: 5 mV
Offset: Max. 1.5 times span
Load resistance: Output drive 1 mA max.; at ≥ 0.5 V

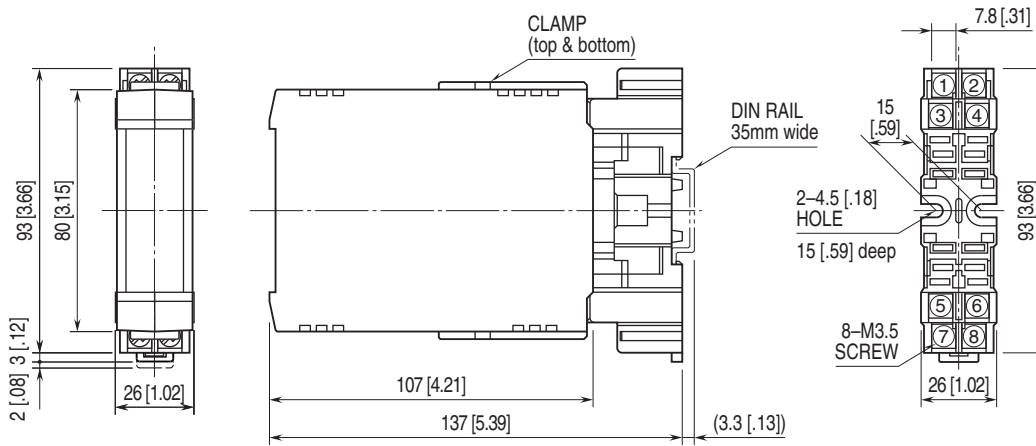
INSTALLATION

Current consumption: Approx. 70 mA
Operating temperature: -5 to +55°C (23 to 131°F)
Operating humidity: 30 to 90 %RH (non-condensing)
Mounting: Surface or DIN rail; Standard Rack Mounting
 Frame BX-16H available
Weight: 200 g (0.44 lb)

PERFORMANCE in percentage of span

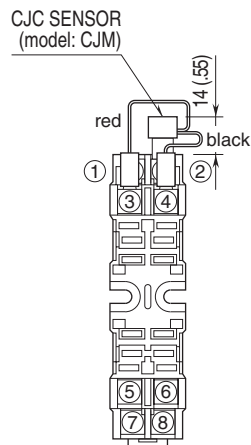
Accuracy: ±0.4 % (at over 400°C or 750°F for R, S and PR; over 770°C or 1420°F for B)
Cold junction compensation error
 (at 20°C ±10°C or 68°F ±18°F)
K, E, J, T, N: ±0.5°C or ±0.9°F
S, R, PR: ±1°C or ±1.8°F
Temp. coefficient: ±0.015 %/°C (±0.008 %/°F)
 (at over 400°C or 750°F for R, S and PR; over 770°C or 1420°F for B)
Burnout response: ≤ 10 sec.
Line voltage effect: ±0.1 % over voltage range
Insulation resistance: ≥ 100 MΩ with 500 V DC
Dielectric strength: 500 V AC @ 1 minute
 (input to output to power)
 1500 V AC @ 1 minute (input or output or power to ground)

EXTERNAL DIMENSIONS unit: mm [inch]

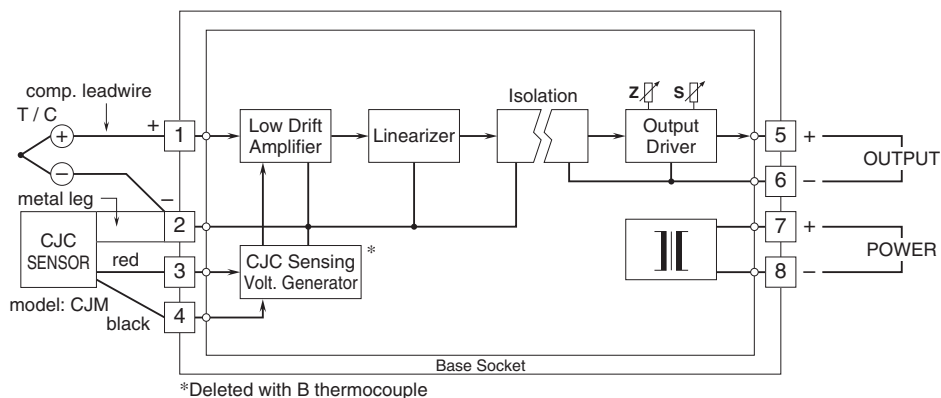


•When mounting, no extra space is needed between units.

TERMINAL ASSIGNMENTS unit: mm [inch]



SCHEMATIC CIRCUITRY & CONNECTION DIAGRAM



Specifications are subject to change without notice.