

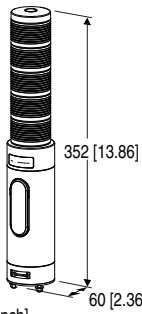
Tower Light Series

ETHERNET TOWER LIGHT

(small size, 50 mm dia., Modbus/TCP, 1 - 5 layers)

Functions & Features

- Lighting, blinking and buzzing available with PLC or PC via Modbus/TCP



Lamp Layers	A
1	224 [8.82]
2	256 [10.08]
3	288 [11.34]
4	320 [12.60]
5	352 [13.86]

MODEL: IT50SRE2-[1][2][3][4][5][6]D1-[7][8]

ORDERING INFORMATION

- Code number: IT50SRE2-[1][2][3][4][5][6]D1-[7][8]
Specify a code from below for each of [1] through [8].
(e.g. IT50SRE2-5RYGBWD1-M2/Q)
- Specify the specification for option code /Q
(e.g. /C01)

[1] LAMP LAYERS

- 1: 1 layer
- 2: 2 layers
- 3: 3 layers
- 4: 4 layers
- 5: 5 layers

[2] LAMP 1 COLOR

(1st layer from the top)

- R: Red
- Y: Amber
- G: Green
- B: Blue
- W: White

[3] LAMP 2 COLOR

(2nd layer from the top)

- R: Red
- Y: Amber
- G: Green
- B: Blue
- W: White
- N: None (not available when Lamp Layers selected are 2 - 5)

[4] LAMP 3 COLOR

(3rd layer from the top)

- R: Red
- Y: Amber
- G: Green
- B: Blue
- W: White
- N: None (not available when Lamp Layers selected are 3 - 5)

[5] LAMP 4 COLOR

(4th layer from the top)

- R: Red
- Y: Amber
- G: Green
- B: Blue
- W: White
- N: None (not available when Lamp Layers selected are 4 - 5)

[6] LAMP 5 COLOR

- R: Red
- Y: Amber
- G: Green
- B: Blue
- W: White
- N: None (not available when Lamp Layers selected are 5)

* Select "None" option for the layers other than the selected.

MOUNTING

- D: Direct mounting

DESIGN TYPE

- 1: Type 1
(refer to outline dimensions)

[7] POWER INPUT

AC Power

M2: 100 – 240 V AC (Operational voltage range 85 – 264 V, 47 – 66 Hz)

DC Power

R: 24 V DC

(Operational voltage range 24 V ±10 %, ripple 10 %p-p max.)

[8] OPTIONS

blank: none

/Q: With options (specify the specification)

SPECIFICATIONS OF OPTION: Q

COATING (For the detail, refer to our web site.)

/C01: Silicone coating

/C02: Polyurethane coating

/C03: Rubber coating

RELATED PRODUCTS

- LAN cable (model: ITCA)
- Mounting Pole (model: ITPL, ITB, ITP, ITW and ITS)
- Mounting Adapter (model: ITAD1, ITAM, ITAR and ITAW)

Access to 192.168.0.1, the factory default setting, to set the device first time.

GENERAL SPECIFICATIONS

Degree of protection: IP 65, vertical mounting only (bottom connectors excluded)

Connection

Power: UL1007 AWG20

Network: RJ-45 modular jack

Housing material: Flame-resistant resin

Lens: Flame-resistant resin (transparent)

Isolation: Network to power input to FE1 (Functional Earth)

DIP SW Setting: Frequency of lamp blinking and buzzing discontinuance, buzzing volume level, output at connection failed and IP address (refer to the instruction manual)

Lamp: Red, amber, green, blue and white LEDs on/blinking (approx. 2 Hz, 10 Hz)

Status indicator LEDs: Power, Run
(Refer to the instruction manual)

Buzzing: Approx. 3.3 kHz

Interval: continuous/intermittent (approx. 2 Hz, 10 Hz)

COMMUNICATION

Communication Standard: IEEE 802.3u

Transmission: 10BASE-T, 100BASE-TX

Baud rate: 10/100 Mbps (Auto Negotiation function)

Protocol: Modbus/TCP

Data: RTU (Binary)

Port No.: 502

Max. number of socket connections: 2

Transmission media: 10BASE-T (STP, Category 5)
100BASE-TX (STP, Category 5e)

Max. length of fieldbus segment: 100 meters

IP address: 192.168.0.1 (factory setting);

Selectable with the Web browser (rotary switch: 00H)

Only the host address of IP address is selectable with rotary switch (rotary switch: 01H - FEH)

DHCP client function (rotary switch: FFH)

Ethernet indicator LED: Link1, Link2, Link100

INSTALLATION

Power consumption

•AC:

Approx. 7.5 VA at 100 V with max. load

Approx. 10 VA at 200 V with max. load

Approx. 11 VA at 240 V with max. load

•DC: Approx. 4 W

Operating temperature: -10 to +55°C (14 to 131°F)

Operating humidity: 30 to 90 %RH (non-condensing)

Atmosphere: No corrosive gas

Mounting: Direct mounting

Mounting direction: Vertical

Weight: 700 g (1.54 lb)

PERFORMANCE

Insulation resistance: ≥ 100 MΩ with 500 V DC

Dielectric strength: 1500 V AC @ 1 minute
(network to power to FE1)

STANDARDS & APPROVALS

Refer to the manuals to comply with the standards.

EU conformity:

EMC Directive

EN 60947-5-1

Low Voltage Directive

EN 60947-5-1

Installation Category II (power)

Pollution degree 2

Network to power: Reinforced insulation (300 V)

RoHS Directive

WEB BROWSER SETTING

The following parameter items can be set by using Web browser.

■ TCP/IP SETTING

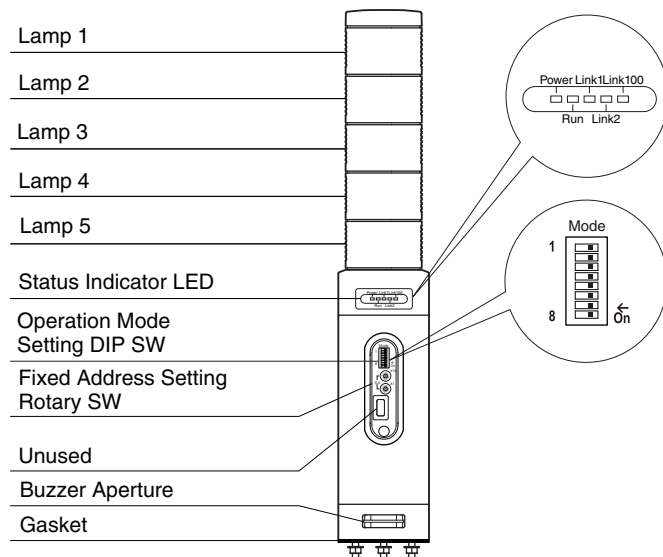
PARAMETER	SETTING RANGE	DEFAULT SETTING
IP address	1.0.0.0 – 223.255.255.255	192.168.0.1
Subnet mask	224.0.0.0 – 255.255.255.255	255.255.255.0
Default gateway	0.0.0.0 – 255.255.255.255	0.0.0.0

■ Modbus/TCP SETTING

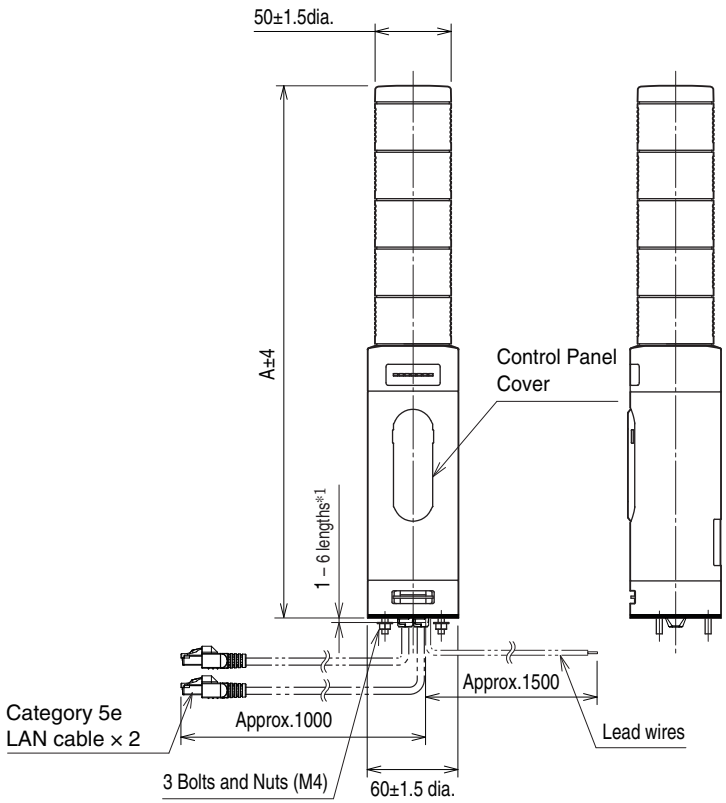
PARAMETER	SETTING RANGE	DEFAULT SETTING
Port	1 – 65535	502
Connection timeout	5.0 – 3200.0 (sec.)	60.0 (sec.)
RUN LED time out	0.0 – 3200.0 (sec.)	5.0 (sec.)

EXTERNAL VIEW

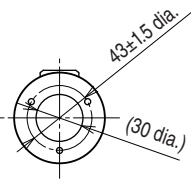
■ FRONT VIEW (When the cover is opened)



EXTERNAL DIMENSIONS unit: mm

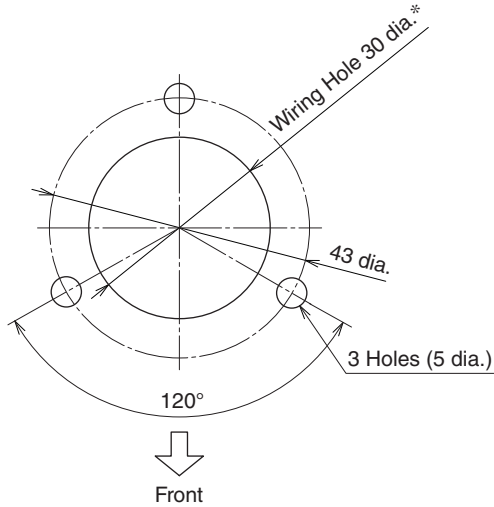


Lamp Layers	A
1	224
2	256
3	288
4	320
5	352



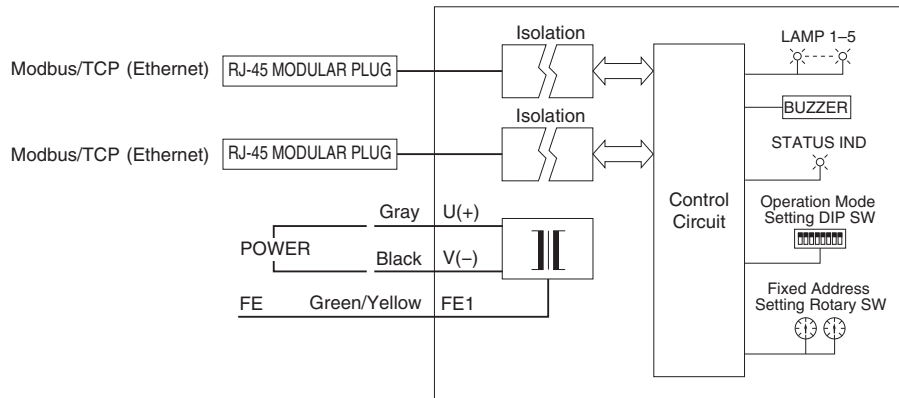
*1. Consult us for other bolt length.

MOUNTING REQUIREMENTS unit: mm



* Protect wires to prevent scratching them at the edge of the compartment.

SCHEMATIC CIRCUITRY & CONNECTION DIAGRAM



Specifications are subject to change without notice.