

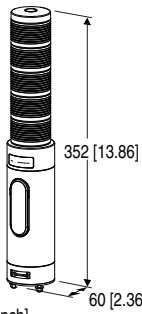
Tower Light Series

EtherNet/IP TOWER LIGHT

(small size, 50 mm dia., 1 - 5 layers)

Functions & Features

- Lighting, blinking and buzzing available with PLC or PC via EtherNet/IP



Lamp Layers	A
1	224 [8.82]
2	256 [10.08]
3	288 [11.34]
4	320 [12.60]
5	352 [13.86]

MODEL: IT50SREIP-[1][2][3][4][5][6]D1-[7][8]

ORDERING INFORMATION

- Code number: IT50SREIP-[1][2][3][4][5][6]D1-[7][8]
Specify a code from below for each of [1] through [8].
(e.g. IT50SREIP-5RYGBWD1-M2/Q)
- Specify the specification for option code /Q
(e.g. /C01)

[1] LAMP LAYERS

- 1: 1 layer
- 2: 2 layers
- 3: 3 layers
- 4: 4 layers
- 5: 5 layers

[2] LAMP 1 COLOR

(1st layer from the top)

- R: Red
- Y: Amber
- G: Green
- B: Blue
- W: White

[3] LAMP 2 COLOR

(2nd layer from the top)

- R: Red
- Y: Amber
- G: Green
- B: Blue
- W: White
- N: None (not available when Lamp Layers selected are 2 - 5)

[4] LAMP 3 COLOR

(3rd layer from the top)

- R: Red
- Y: Amber
- G: Green
- B: Blue
- W: White
- N: None (not available when Lamp Layers selected are 3 - 5)

[5] LAMP 4 COLOR

(4th layer from the top)

- R: Red
- Y: Amber
- G: Green
- B: Blue
- W: White
- N: None (not available when Lamp Layers selected are 4 - 5)

[6] LAMP 5 COLOR

- R: Red
- Y: Amber
- G: Green
- B: Blue
- W: White
- N: None (not available when Lamp Layers selected are 5)

* Select "None" option for the layers other than the selected.

MOUNTING

- D: Direct mounting

DESIGN TYPE

- 1: Type 1
(refer to outline dimensions)

[7] POWER INPUT**AC Power**

M2: 100 – 240 V AC (Operational voltage range 85 – 264 V, 47 – 66 Hz)

DC Power

R: 24 V DC

(Operational voltage range 24 V \pm 10 %, ripple 10 %p-p max.)

[8] OPTIONS

blank: none

/Q: With options (specify the specification)

SPECIFICATIONS OF OPTION: Q**COATING (For the detail, refer to our web site.)**

/C01: Silicone coating

/C02: Polyurethane coating

/C03: Rubber coating

RELATED PRODUCTS

- LAN cable (model: ITCA)
- Mounting Pole (model: ITPL, ITB, ITP, ITW and ITS)
- Mounting Adapter (model: ITAD1, ITAM, ITAR and ITAW)
- PC configurator software (model: ITCFG)
- EDS file

The configurator software and EDS file are downloadable at our web site.

For connecting to PC, use commercially available Type-C USB cable. (provided by user)

GENERAL SPECIFICATIONS

Degree of protection: IP 65, vertical mounting only (bottom connectors excluded)

Connection

Power: UL1007 AWG20

Network: RJ-45 modular jack

Housing material: Flame-resistant resin

Lens: Flame-resistant resin (transparent)

Isolation: Network to power input to FE1 (Functional Earth)

DIP SW Setting: Frequency of lamp blinking and buzzing discontinuance, buzzing volume level, output at connection failed and so on (refer to the instruction manual)

Lamp: Red, amber, green, blue and white LEDs on/blinking (approx. 2 Hz, 10 Hz)

Status indicator LED: Power

(Refer to the instruction manual)

Buzzing: Approx. 3.3 kHz

Interval: continuous/intermittent (approx. 2 Hz, 10 Hz)

COMMUNICATION

Communication Standard: IEEE 802.3u

Transmission: 10BASE-T, 100BASE-TX

Baud rate: 10/100 Mbps (Auto Negotiation function)

Protocol: EtherNet/IP

Max. number of socket connections: 3

Connection type: Exclusive owner / Listen only / Input only

Transmission media: 10BASE-T (STP, Category 5), 100BASE-TX (STP, Category 5e)

Network topology: Line, star and ring

Max. length of fieldbus segment: 100 meters

IP address: 192.168.0.250 (factory setting);

Only host address in IP address is configurable via rotary switches, the other items via PC configurator software (model: ITCFG)

DLR supported

Port No.: 2222, 44818

I/O data size: One (1) word

Status indicator LEDs: MS, NS (Refer to the instruction manual for details)

INSTALLATION**Power consumption****•AC:**

Approx. 10 VA at 100 V with max. load

Approx. 13 VA at 200 V with max. load

Approx. 14 VA at 240 V with max. load

•DC: Approx. 5.5 W

Operating temperature: -10 to +55°C (14 to 131°F)

Operating humidity: 30 to 90 %RH (non-condensing)

Atmosphere: No corrosive gas

Mounting: Direct mounting

Mounting direction: Vertical

Weight: 750 g (1.65 lb)

PERFORMANCE

Insulation resistance: \geq 100 M Ω with 500 V DC

Dielectric strength: 1500 V AC @ 1 minute (network to power to FE1)

STANDARDS & APPROVALS

Refer to the manuals to comply with the standards.

EU conformity:

EMC Directive

EN 60947-5-1

Low Voltage Directive

EN 60947-5-1

Installation Category II (power)

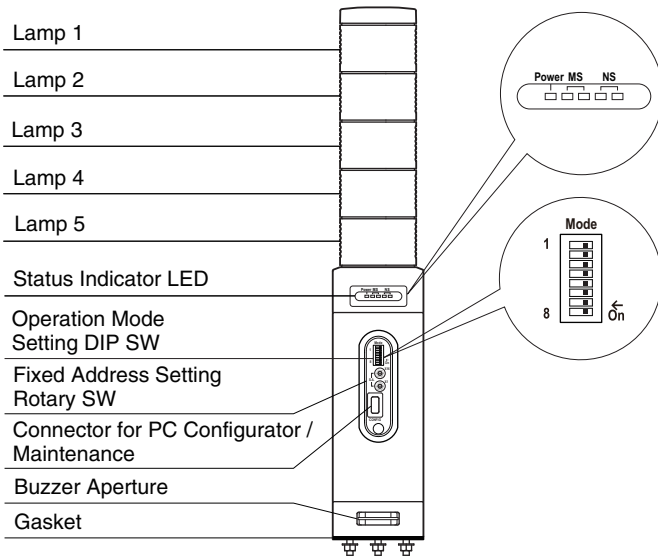
Pollution degree 2

Network to power: Reinforced insulation (300 V)

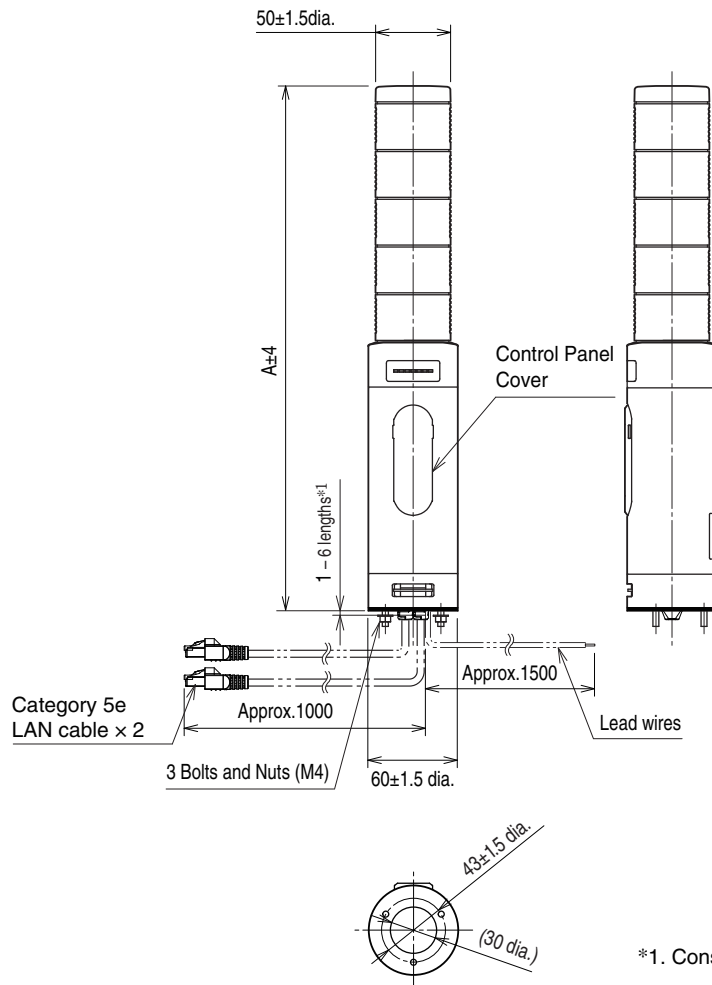
RoHS Directive

EXTERNAL VIEW

FRONT VIEW (When the cover is opened)



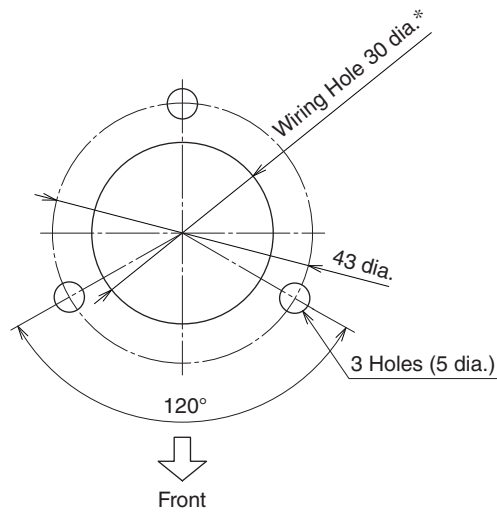
EXTERNAL DIMENSIONS unit: mm



Lamp Layers	A
1	224
2	256
3	288
4	320
5	352

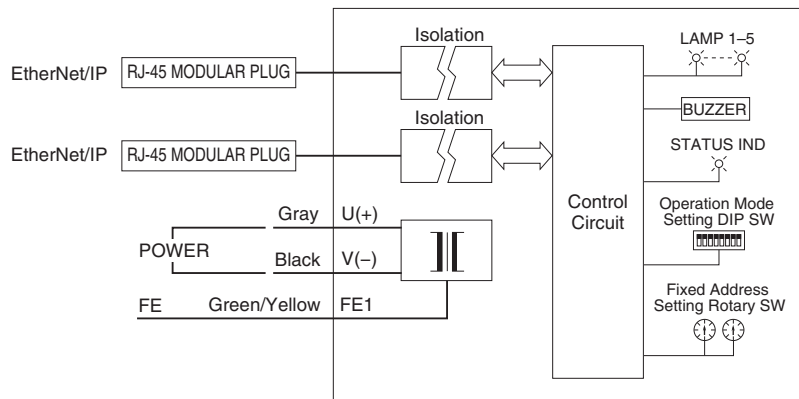
*1. Consult us for other bolt length.

MOUNTING REQUIREMENTS unit: mm



* Protect wires to prevent scratching them at the edge of the compartment.

SCHEMATIC CIRCUITRY & CONNECTION DIAGRAM



Specifications are subject to change without notice.