

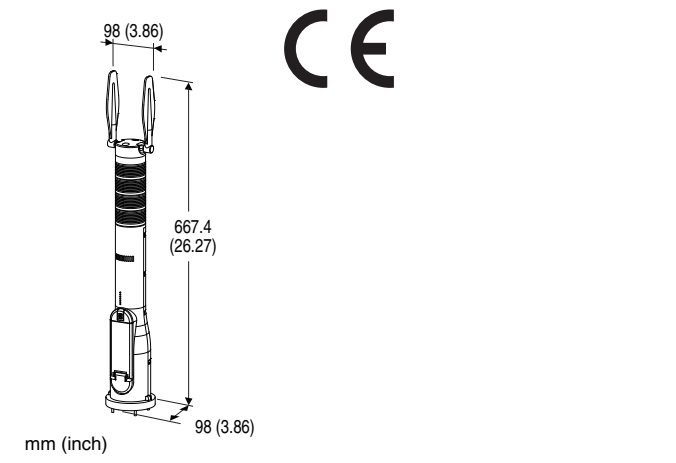
Tower Light Series

ETHERNET TOWER LIGHT

(60 mm dia., 4 layers)

Functions & Features

- Lighting, blinking and buzzing available with PLC or PC via Modbus/TCP.
- Bi-color lighting available in fourth layer
- Separable tension clamp terminal



MODEL: IT60RE-4[1][2][3][4][5]D[6]-[7][8]

ORDERING INFORMATION

- Code number: IT60RE-4[1][2][3][4][5]D[6]-[7][8]
Specify a code from below for each of [1] through [8].
(e.g. IT60RE-4RYGBWD1-M2/Q)
- Specify the specification for option code /Q
(e.g. /C01)

LAMP LAYERS

4: 4 layers

[1] LAMP 1 COLOR

(1st layer from the top)

- R: Red
- Y: Amber
- G: Green
- B: Blue
- W: White

[2] LAMP 2 COLOR

(2nd layer from the top)

- R: Red
- Y: Amber
- G: Green
- B: Blue
- W: White

[3] LAMP 3 COLOR

(3rd layer from the top)

- R: Red
- Y: Amber
- G: Green
- B: Blue
- W: White

[4] LAMP 4 COLOR

(4th layer from the top)

- R: Red
- Y: Amber
- G: Green
- B: Blue
- W: White

[5] LAMP 5 COLOR

- R: Red
- Y: Amber
- G: Green
- B: Blue
- W: White
- N: None

MOUNTING

D: Direct mounting

[6] DESIGN TYPE

- 1: Type 1
- 2: Type 2 (with dummy antennae)
(refer to outline dimensions)

[7] POWER INPUT

- AC Power
- M2: 100 - 240 V AC (Operational voltage range 85 - 264 V, 47 - 66 Hz)
- DC Power
- R: 24 V DC
(Operational voltage range 24 V ±10 %, ripple 10 %p-p max.)

[8] OPTIONS

blank: none

/Q: With options (specify the specification)

SPECIFICATIONS OF OPTION: Q

COATING (For the detail, refer to our web site.)

/C01: Silicone coating

/C02: Polyurethane coating

/C03: Rubber coating

RELATED PRODUCTS

- PC configurator software (model: ITCFG)

Functions are configurable using the PC Configurator Software.

Downloadable at our web site.

A dedicated cable is required to connect the module to the PC. Please refer to the internet software download site or the users manual for the PC configurator for applicable cable types.

GENERAL SPECIFICATIONS

Degree of protection: IP 65, vertical mounting only (bottom connectors excluded)

Connection

Power: Separable tension clamp terminal

Applicable wire size: 0.2 to 1.5 mm², stripped length 10 mm

Network: RJ-45 Modular Jack

Recommended solderless terminal:

AI0,5-10WH 0.5mm² (Phoenix Contact)

AI0,75-10GY 0.75mm² (Phoenix Contact)

Housing material: Flame-resistant resin (white)

Lens: Flame-resistant resin (transparent)

Isolation: Network to power input to FE1 (Functional Earth)

DIP SW Setting: Frequency of lamp blinking and buzzing discontinuance, buzzing volume level and output at connection failed. (refer to the instruction manual)

Lamp: Red, amber, green, blue and white LEDs on/blinking (approx. 2 Hz, 10 Hz)

Indicator LEDs: Power, Run, Link, Link100, COL (5 LEDs) indicate the module's operating conditions. (Refer to the instruction manual)

Buzzing: Approx. 3.3 kHz

Interval: continuous/intermittent (approx. 2 Hz, 10 Hz)

COMMUNICATION

Communication Standard: IEEE 802.3u

Transmission: 10BASE-T, 100BASE-TX

Baud rate: 10/100 Mbps (Auto Negotiation function)

Protocol: Modbus/TCP

Data: RTU (Binary)

Max. number of socket connections: 2

Transmission media: 10BASE-T (STP, Category 5) 100BASE-TX (STP, Category 5e)

Max. length of fieldbus segment: 100 meters

IP address: 192.168.0.1 (factory setting);

Selectable with PC Configurator Software

Port No.: 502

Ethernet indicator LED: Link, Link100, COL

INSTALLATION**Power consumption**

- **AC:** Approx. 6 VA at 100 V

Approx. 8 VA at 200 V

Approx. 9 VA at 240 V

- **DC:** Approx. 3 W

Operating temperature: -10 to +55°C (14 to 131°F)

Operating humidity: 30 to 90 %RH (non-condensing)

Atmosphere: No corrosive gas

Mounting: Direct mounting

Mounting direction: Vertical

Weight: 1.4 kg (3.1 lb)

PERFORMANCE

Insulation resistance: ≥ 100 MΩ with 500 V DC

Dielectric strength: 1500 V AC @ 1 minute (network to power to FE1)

STANDARDS & APPROVALS

Refer to the manuals to comply with the standards.

EU conformity:

EMC Directive

EN 60947-5-1

Low Voltage Directive

EN 60947-5-1

24 V DC power

Installation Category III

Pollution Degree 3

100 – 240 V AC power

Installation Category II

Pollution Degree 2

Network to power: Reinforced insulation (300 V)

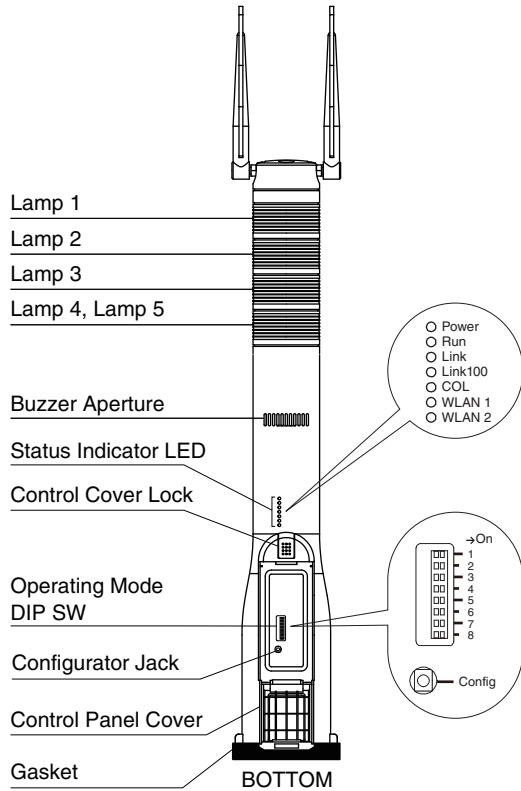
RoHS Directive

Protection against access to the terminal blocks:

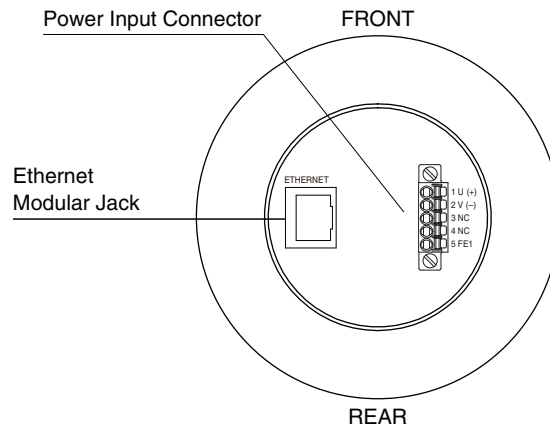
Finger protection (VDE 0660-514)

EXTERNAL VIEW

FRONT VIEW

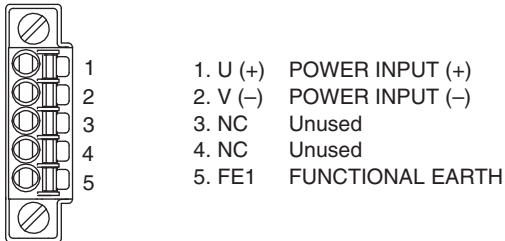


BOTTOM VIEW

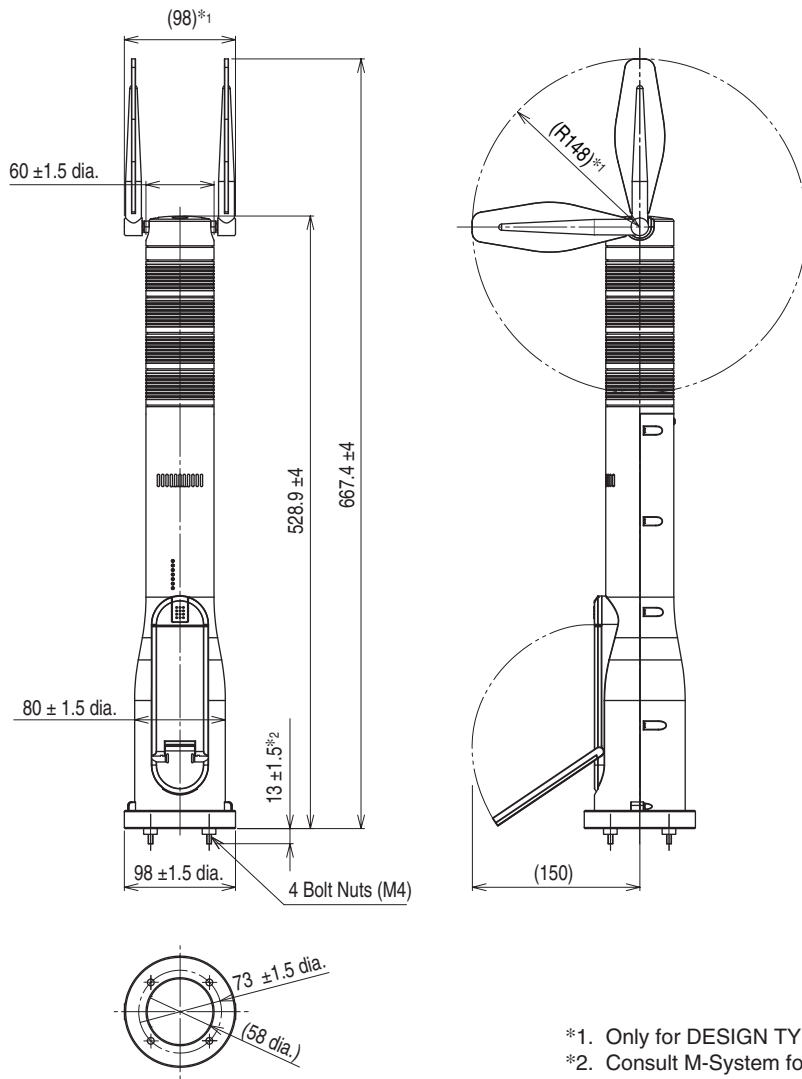


TERMINAL ASSIGNMENTS

POWER CONNECTOR

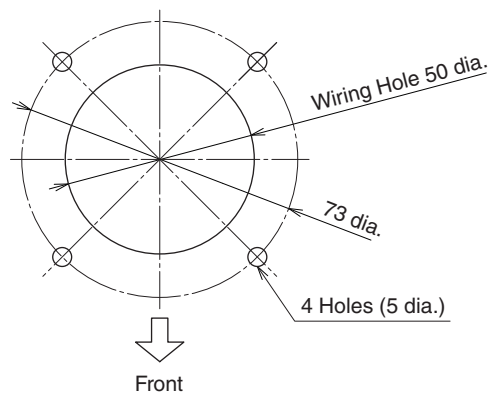


EXTERNAL DIMENSIONS unit: mm



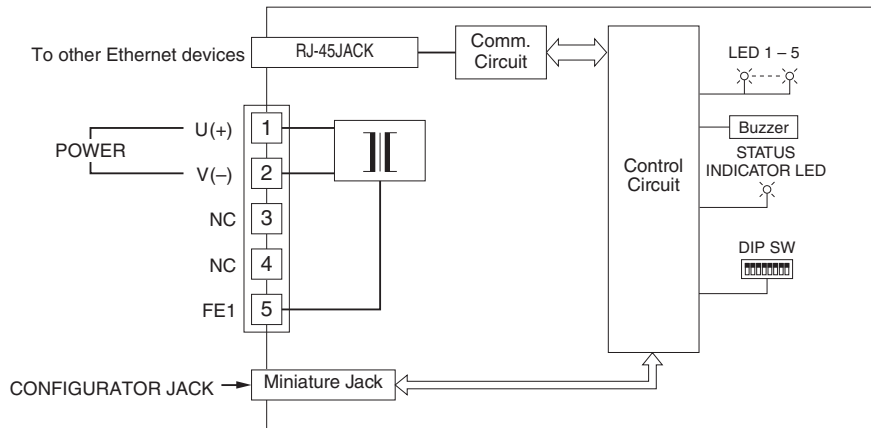
*1. Only for DESIGN TYPE option code 2.
 *2. Consult M-System for other bolt length.

MOUNTING REQUIREMENTS unit: mm



*Protect wires to prevent scratching them at the edge of the compartment.

SCHEMATIC CIRCUITRY & CONNECTION DIAGRAM



Specifications are subject to change without notice.