

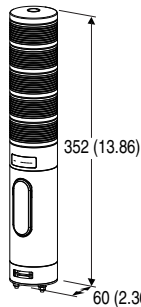
Tower Light Series

CC-Link TOWER LIGHT

(small size, 60 mm dia., 1 - 5 layers)

Functions & Features

- Lighting, blinking and buzzing are controllable with PLC.
- Separable tension clamp terminal



| Lamp Layers | A |
|-------------|-------------|
| 1 | 224 (8.82) |
| 2 | 256 (10.08) |
| 3 | 288 (11.34) |
| 4 | 320 (12.60) |
| 5 | 352 (13.86) |

MODEL: IT60SRC-[1][2][3][4][5][6]D1-[7][8]

ORDERING INFORMATION

- Code number: IT60SRC-[1][2][3][4][5][6]D1-[7][8]
Specify a code from below for each of [1] through [8].
(e.g. IT60SRC-5RYGBWD1-M2/Q)
- Specify the specification for option code /Q
(e.g. /C01)

[1] LAMP LAYERS

- 1: 1 layer
- 2: 2 layers
- 3: 3 layers
- 4: 4 layers
- 5: 5 layers

[2] LAMP 1 COLOR

(1st layer from the top)

- R: Red
- Y: Amber
- G: Green
- B: Blue
- W: White

[3] LAMP 2 COLOR

(2nd layer from the top)

- R: Red
- Y: Amber
- G: Green
- B: Blue
- W: White
- N: None (not available when Lamp Layers selected are 2 - 5)

[4] LAMP 3 COLOR

(3rd layer from the top)

- R: Red
- Y: Amber
- G: Green
- B: Blue
- W: White
- N: None (not available when Lamp Layers selected are 3 - 5)

[5] LAMP 4 COLOR

(4th layer from the top)

- R: Red
- Y: Amber
- G: Green
- B: Blue
- W: White
- N: None (not available when Lamp Layers selected are 4 - 5)

[6] LAMP 5 COLOR

- R: Red
- Y: Amber
- G: Green
- B: Blue
- W: White
- N: None (not available when Lamp Layers selected are 5)

* Select "None" option for the layers other than the selected.

MOUNTING

- D: Direct mounting

DESIGN TYPE

- 1: Type 1

[7] POWER INPUT

AC Power

M2: 100 – 240 V AC (Operational voltage range 85 – 264 V, 47 – 66 Hz)

DC Power

R: 24 V DC

(Operational voltage range 24 V ±10 %, ripple 10 %p-p max.)

[8] OPTIONS**blank:** none**/Q:** With options (specify the specification)**SPECIFICATIONS OF OPTION: Q**

COATING (For the detail, refer to our web site.)

/C01: Silicone coating**/C02:** Polyurethane coating**/C03:** Rubber coating**RELATED PRODUCTS**

- Mounting Pole (model: ITPL, ITB, ITP, ITW and ITS)
- Mounting Adapter (model: ITAD1, ITAM, ITAR and ITAW)

GENERAL SPECIFICATIONS**Degree of protection:** IP 65, vertical mounting only (bottom connectors excluded)**Connection****Power input:** UL1007 AWG20**CC-Link:** Separable tension clamp terminal**Applicable wire size:** 0.2 to 1.5 mm², stripped length 10 mm**Recommended solderless terminal:**AI0,5-10WH 0.5mm² (Phoenix Contact)AI0,75-10GY 0.75mm² (Phoenix Contact)**Housing material:** Flame-resistant resin**Lens:** Flame-resistant resin (transparent)**Isolation:** Network to power input to FE1 (Functional Earth)**DIP SW Setting:** Frequency of lamp blinking and buzzing discontinuance, buzzing volume level and output at connection failed. (refer to the instruction manual)**Lamp:** Red, amber, green, blue and white LEDs on/blinking (approx. 2 Hz, 10 Hz)**Indicator LEDs:** Power, Run, Error, SD and RD (5 LEDs) indicate the module's operating conditions. (Refer to the instruction manual)**Buzzing:** Approx. 3.3 kHz**Interval:** continuous/intermittent (approx. 2 Hz, 10 Hz)**CC-Link COMMUNICATION****Protocol:** CC-Link V1.10**Device type:** Remote I/O station**Station No. setting:** Rotary switch; 1 – 64**Required node:** 1**Baud rate setting:** Rotary switch

156kbps, 625kbps, 2.5Mbps, 5Mbps, 10Mbps

Cable for comm. link: Specified by Mitsubishi Electric**Terminating resistor:** Built-in (Selected with the DIP SW)**INSTALLATION****Power consumption**•**AC:** Approx. 7.5 VA at 100 V

Approx. 10 VA at 200 V

Approx. 11 VA at 240 V

•**DC:** Approx. 5 W**Operating temperature:** -10 to +55°C (14 to 131°F)**Operating humidity:** 30 to 90 %RH (non-condensing)**Atmosphere:** No corrosive gas**Mounting:** Direct mounting**Mounting direction:** Vertical**Weight:** 750 g (1.65 lb)**PERFORMANCE****Insulation resistance:** ≥ 100 MΩ with 500 V DC**Dielectric strength:** 1500 V AC @ 1 minute (network to power to FE1)**STANDARDS & APPROVALS****EU conformity:**

EMC Directive

EN 60947-5-1

Low Voltage Directive

EN 60947-5-1

24 V DC power

Installation Category III

Pollution Degree 3

100 – 240 V AC power

Installation Category II

Pollution Degree 2

Network to power: Reinforced insulation (300 V)

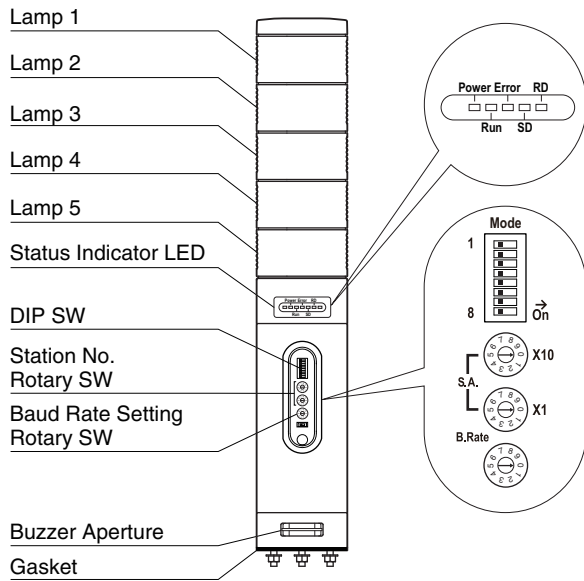
RoHS Directive

Protection against access to the terminal blocks:

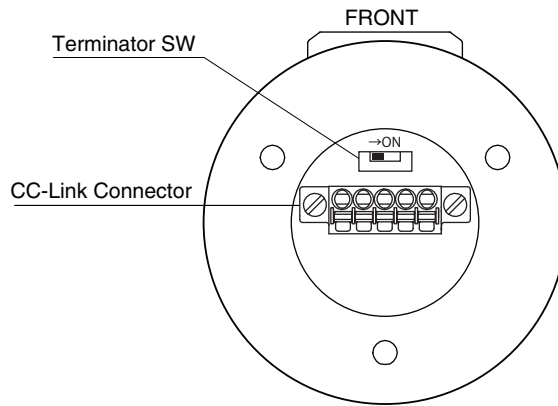
Finger protection (VDE 0660-514)

EXTERNAL VIEW

■ FRONT VIEW (with the cover open)

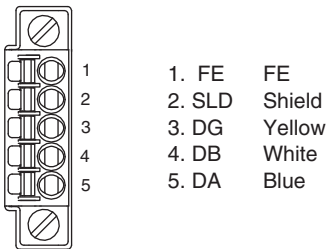


■ BOTTOM VIEW

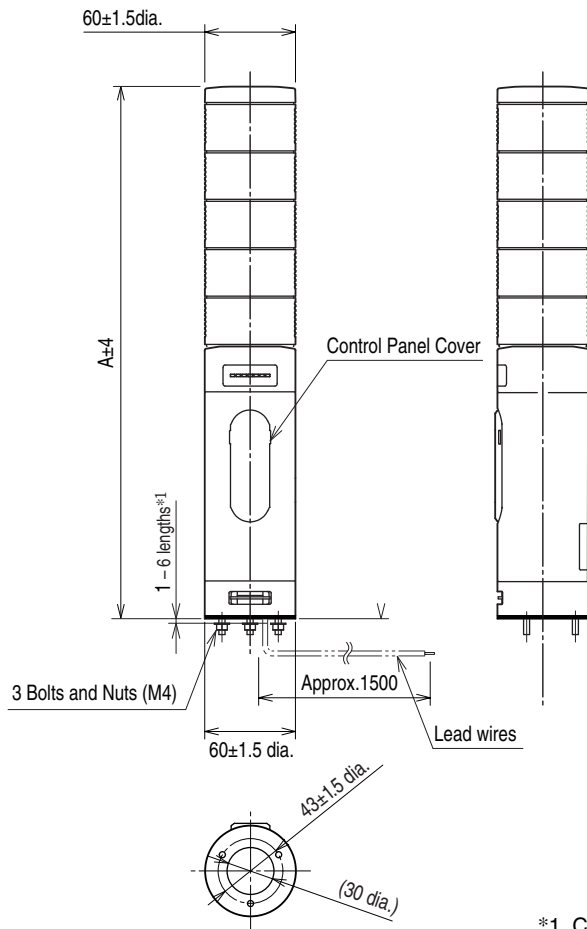


TERMINAL ASSIGNMENTS

■ CC-Link CONNECTOR



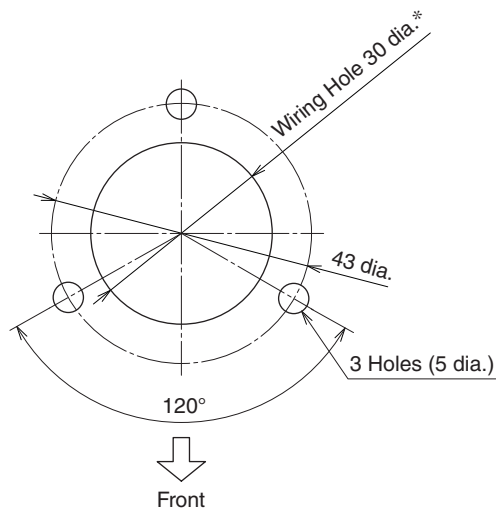
EXTERNAL DIMENSIONS unit: mm



| Lamp Layers | A |
|-------------|-----|
| 1 | 224 |
| 2 | 256 |
| 3 | 288 |
| 4 | 320 |
| 5 | 352 |

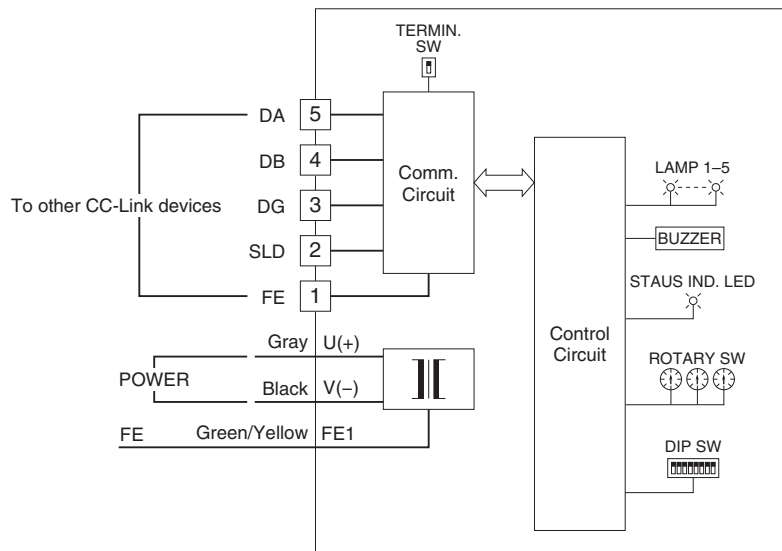
*1. Consult us for other bolt length.

MOUNTING REQUIREMENTS unit: mm



* Protect wires to prevent scratching them at the edge of the compartment.

SCHEMATIC CIRCUITRY & CONNECTION DIAGRAM



Specifications are subject to change without notice.