

## Tower Light Series

### MOUNTING ADAPTER

#### Functions & Features

- Optional product for mounting Tower Light Series
- Conversion to 1/4 inch screw

### MODEL: ITAD[1]

#### ORDERING INFORMATION

- Code number: ITAD[1]

Specify a code from below for [1].

(e.g. ITAD1)

#### [1] TYPE

1: Attachable to ITxSA1, ITxSRC, ITxSRE, ITxSW1,  
ITxSW2, ITxSW4, ITxSW5, ITxSW6, ITxSW7

2: Attachable to ITxSA2

#### GENERAL SPECIFICATIONS

**Material:** Stainless steel

#### AVAILABLE MODELS

Tower Light Series

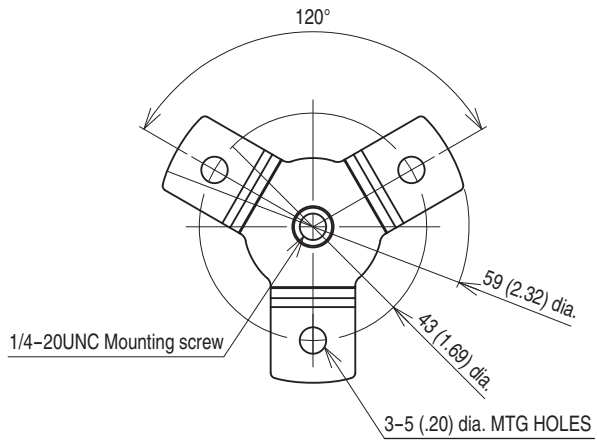
#### INSTALLATION

**Weight:** 35g (1.23 oz) for type 1

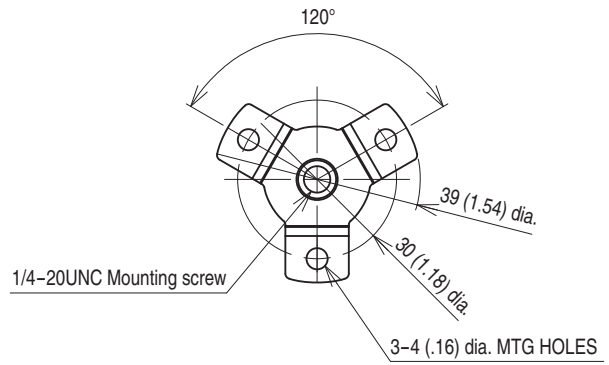
25g (0.88 oz) for type 2

## EXTERNAL DIMENSIONS unit: mm [inch]

■ TYPE 1

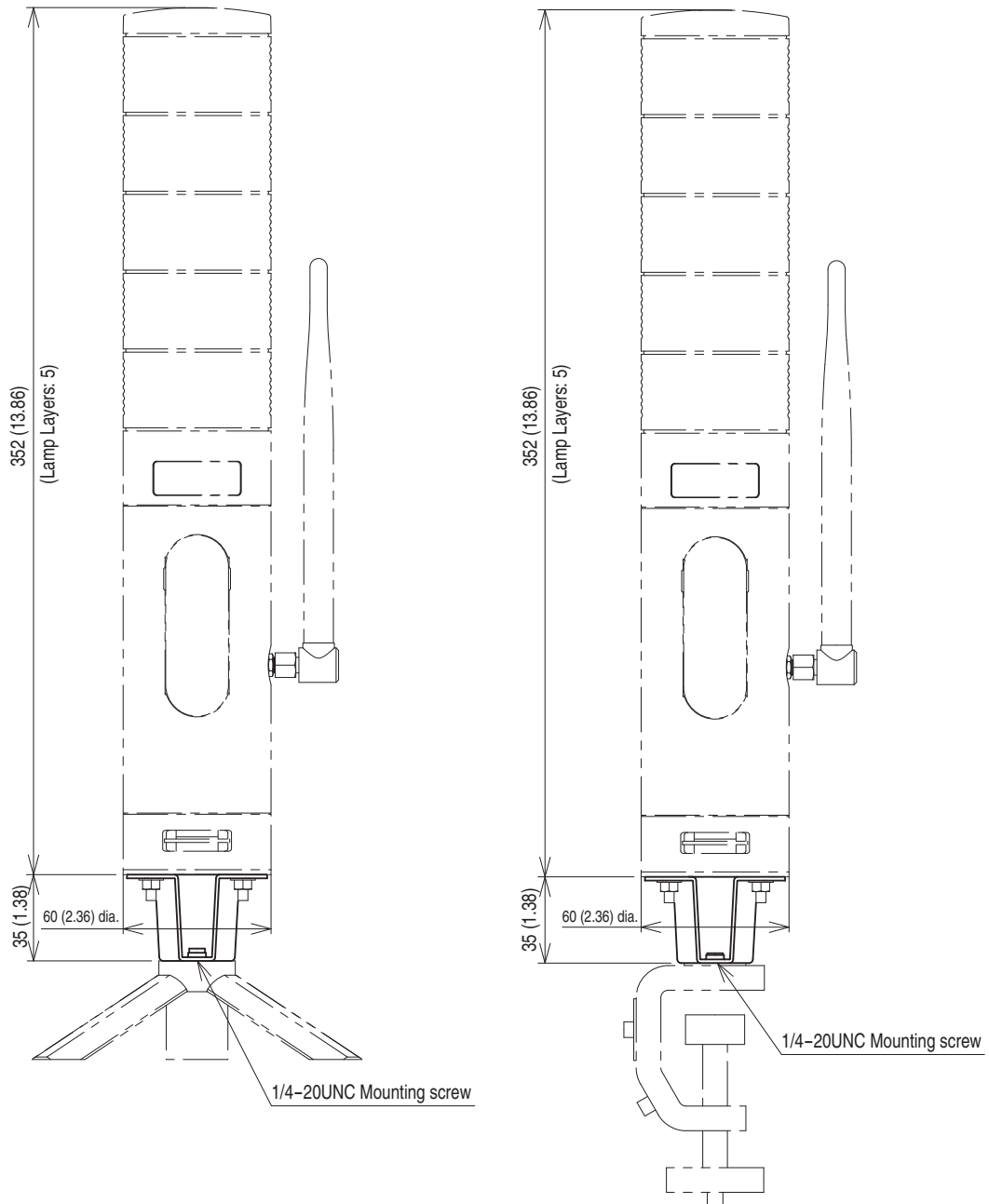


■ TYPE 2

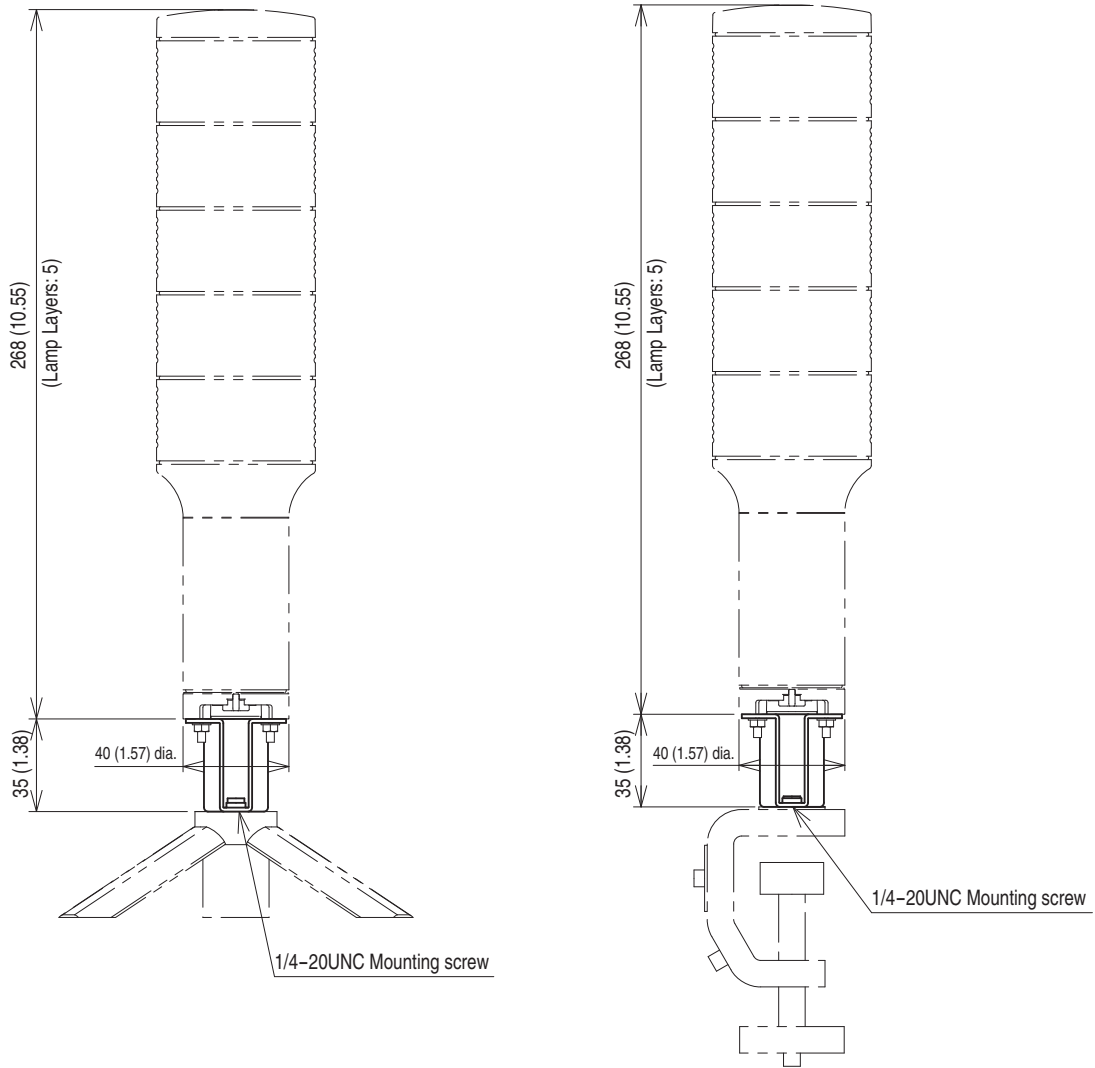


**MOUNTING REQUIREMENTS** unit: mm [inch]

■ TYPE 1



■ TYPE 2



Specifications are subject to change without notice.