

## Tower Light Series

### MOUNTING ADAPTER

#### Functions & Features

- Optional product for mounting Tower Light Series
- Conversion to 1/4 inch screw

### MODEL: ITAR-[1]

#### ORDERING INFORMATION

- Code number: ITAR-[1]

Specify a code from below for [1].

(e.g. ITAR-1)

#### [1] TYPE

1: Attachable to ITxSA1, ITxSRC, ITxSRE, ITxSW1,

ITxSW2, ITxSW4, ITxSW5, ITxSW6, ITxSW7

2: Attachable to ITxSA2

#### GENERAL SPECIFICATIONS

Material: SPCE

#### AVAILABLE MODELS

Tower Light Series

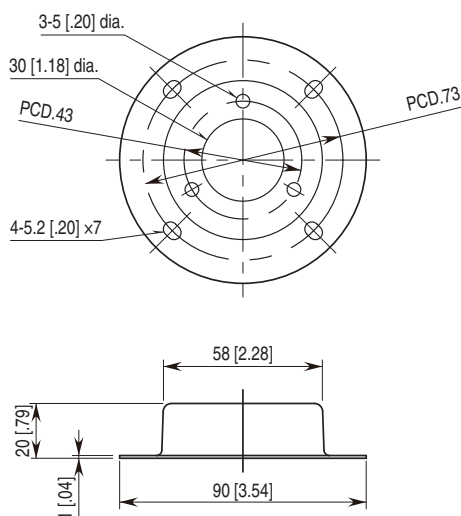
#### INSTALLATION

Weight: 60g (2.11 oz) for type 1

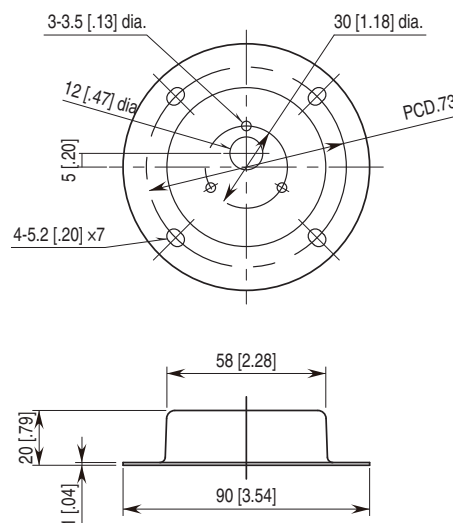
70g (2.47 oz) for type 2

#### EXTERNAL DIMENSIONS unit: mm [inch]

##### ■ TYPE 1



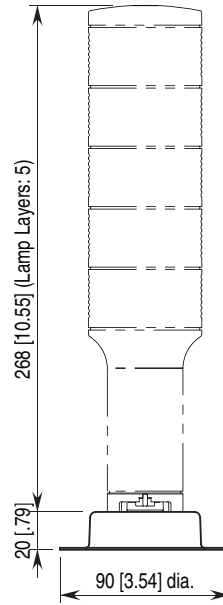
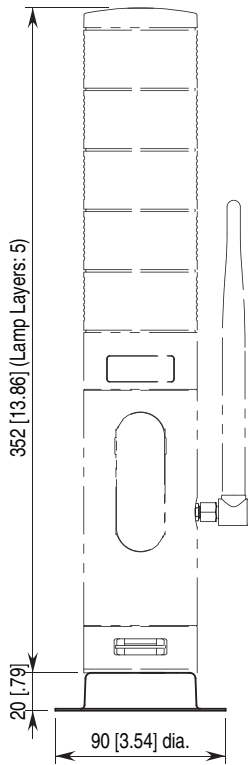
##### ■ TYPE 2



**MOUNTING REQUIREMENTS** unit: mm [inch]

■ TYPE 1

■ TYPE 2



Specifications are subject to change without notice.