

Tower Light Series

MOUNTING ADAPTER

Functions & Features

- Optional product for mounting Tower Light Series

MODEL: ITAW-[1]

ORDERING INFORMATION

- Code number: ITAW-[1]

Specify a code from below for [1].

(e.g. ITAW-1)

[1] TYPE

1: Attachable to ITxSA1, ITxSRC, ITxSRE, ITxSW1,
ITxSW2, ITxSW4, ITxSW5, ITxSW6, ITxSW7

2: Attachable to ITxSA2

GENERAL SPECIFICATIONS

Material: SPHC

AVAILABLE MODELS

Tower Light Series

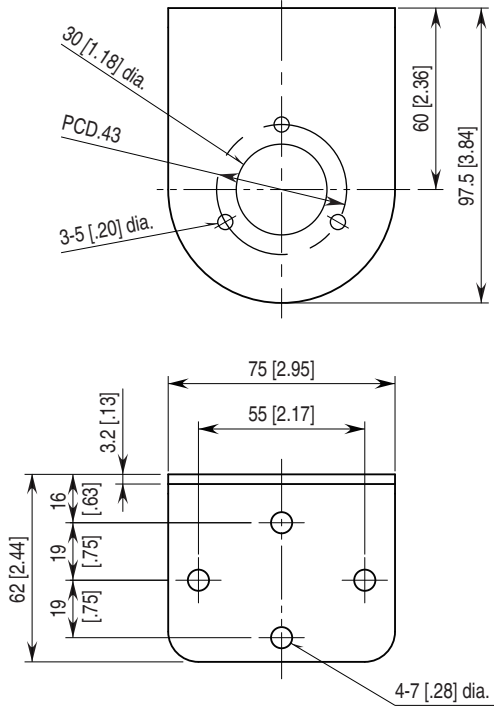
INSTALLATION

Weight: 250g (0.55 lb) for type 1

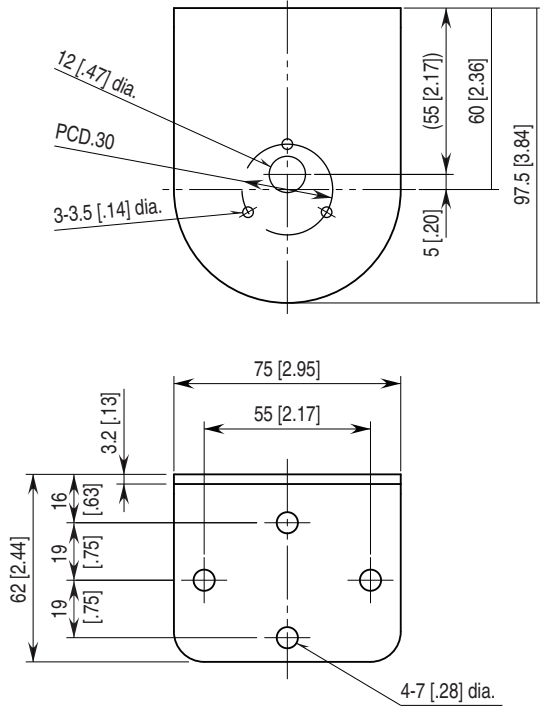
270g (0.60 lb) for type 2

EXTERNAL DIMENSIONS unit: mm [inch]

■ TYPE 1

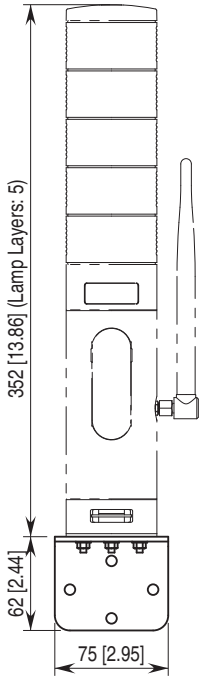


■ TYPE 2

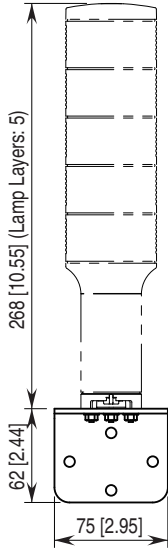


MOUNTING REQUIREMENTS unit: mm [inch]

■ TYPE 1



■ TYPE 2





Specifications are subject to change without notice.