

## Tower Light Series

### MOUNTING PARTS

#### Functions & Features

- Used for mounting Tower Light Series

### MODEL: ITP-[1]030

### ORDERING INFORMATION

- Code number: ITP-[1]030

Specify a code from below for [1].

(e.g. ITP-1030)

### [1] TYPE

1: 60 mm dia. Bracket Mounting

2: 40 mm dia. Bracket Mounting

A: 60 mm dia. Circular Pedestal Mounting

B: 40 mm dia. Circular Pedestal Mounting

### LENGTH

030: 30 cm (9.8 ft.)

Pole length is changeable (special option).

Consult us.

### GENERAL SPECIFICATIONS

**Material:** Steel

### AVAILABLE MODELS

Tower Light Series IT40S, IT50S, IT60S and IT40SA2, IT50SA2, IT60SA2

### INSTALLATION

#### Weight:

600 g (Type 1)

300 g (Type 2)

400 g (Type A)

240 g (Type B)

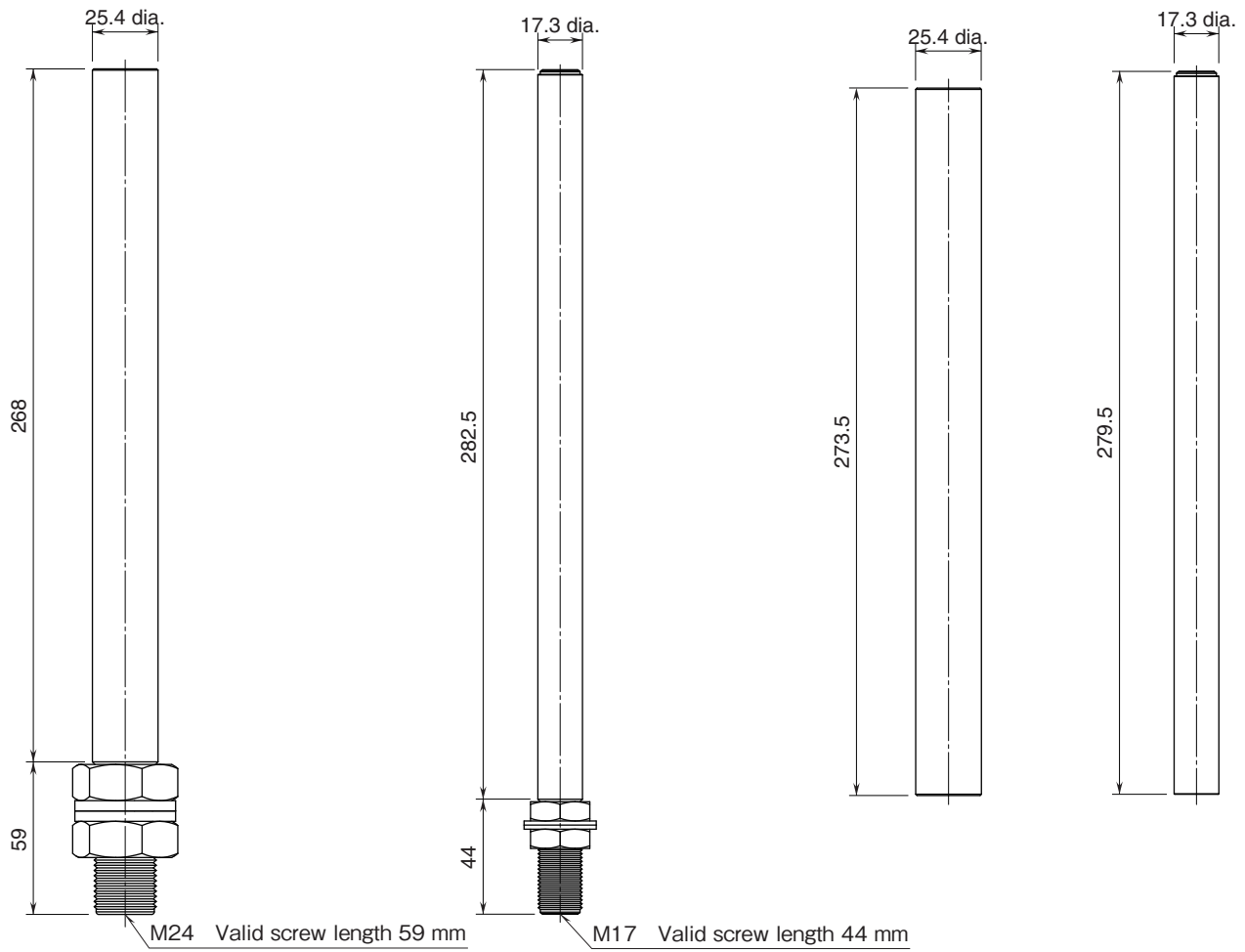
**EXTERNAL DIMENSIONS unit: mm**

■ TYPE 1

■ TYPE 2

■ TYPE A

■ TYPE B



Specifications are subject to change without notice.