
Tower Light Series

MOUNTING POLE

Functions & Features

- Used for mounting Tower Light Series
- L-shaped mount and circular base mount are selectable

MODEL: ITPL-[1]030

ORDERING INFORMATION

- Code number: ITPL-[1]030

Specify a code from below for [1].

(e.g. ITPL-1030)

[1] TYPE

1: Circular Pedestal Mounting

2: Bracket Mounting

LENGTH

030: 30 cm (9.8 ft.)

Pole length is changeable (special option).

Consult us.

RELATED PRODUCTS

- LAN cable (model: ITCA)

GENERAL SPECIFICATIONS

Construction:

- Pole: Steel
- Base: Aluminium

Degree of Protection

- **Type 1:** IP65
- **Type 2:** IP13

(Degrees of protection when used in combination with compatible models of the Tower Light Series.)

AVAILABLE MODELS

Tower Light Series IT40S, IT50S, IT60S series

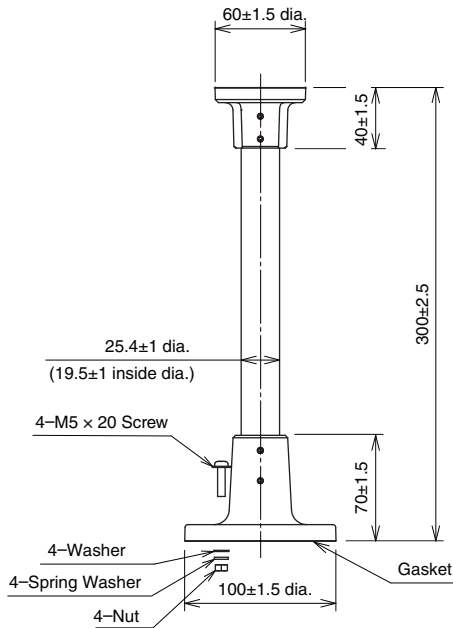
INSTALLATION

Weight: Approx. 1 kg (2.21 lb) for type 1

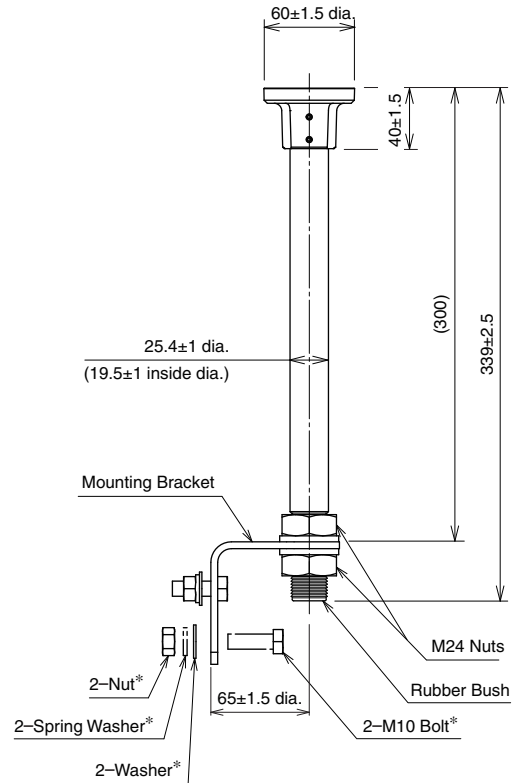
Approx. 1 kg (2.21 lb) for type 2

EXTERNAL DIMENSIONS unit: mm

TYPE 1



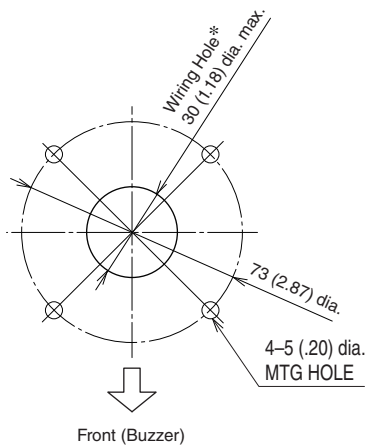
TYPE 2



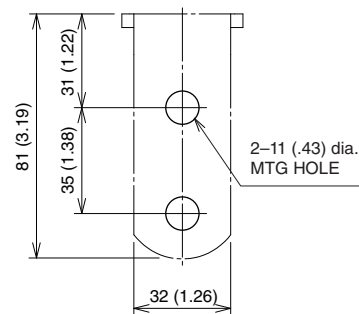
*Not provided with type 2 (L-shaped mount).

MOUNTING REQUIREMENTS unit: mm [inch]

TYPE 1



TYPE 2**



* Protect wires to prevent scratching them at the edge of the compartment.
Determine the hole diameter according to the size of the wires and connectors.

**For type 2 (L-shaped mount), bolts, nuts, washers and spring washers are to be prepared by user.



Specifications are subject to change without notice.